



WFP16S

4-Quart LiquiLock® Seal System Bowl Cutter Mixer Food Processor



4-Quart LiquiLock® Seal System Bowl Cutter Mixer Food Processor



MAIN FEATURES

- Over 20 Processing Options in One Machine
- 4-quart LiquiLock® sealed cutter mixer bowl processes soups, sauces, dressings and more
- High-impact, unbreakable, and scratch-resistant polycarbonate lets you see into the bowl
- High-performance, 2 HP commercial motor
- Thermal overload motor protection
- Heavy-duty, die-cast housing
- Smooth touch pad controls—ON, OFF and PULSE
- Extra-large feed tube with small and large food pusher
- Safety Interlock system prevents unit from operating unless correctly assembled
- Lighter than metal, but built to complete large jobs with ease
- Limited Five-Year Motor and Two-Year Parts and Labor

SALES FEATURES

Slice, shred, purée, chop and more with the completely sealed Waring® WFP16S 4-Quart Bowl Cutter Mixer Food Processor. Its high-impact, see-through and scratch-resistant polycarbonate bowl lets you safely process soups, sauces, meats, and other ingredients without leaks. Developed especially for high-volume food-service batch processing, it consistently delivers dependable, continuous-duty service day in and day out.

ELECTRICAL

Voltage: 120

Frequency: 60Hz

Amps: 6

Plug Type: 5-15

Cord Length: 5 feet



@waringcommercial

©2020 Waring Commercial
 314 Ella T. Grasso Avenue, Torrington, CT 06790
 Tel. 800-492-7464 • Fax 860-496-9008

waringcommercialproducts.com

WFP16S

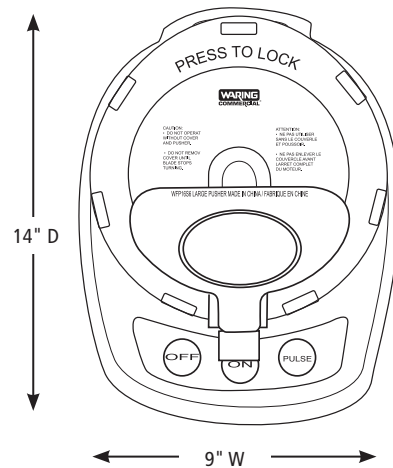
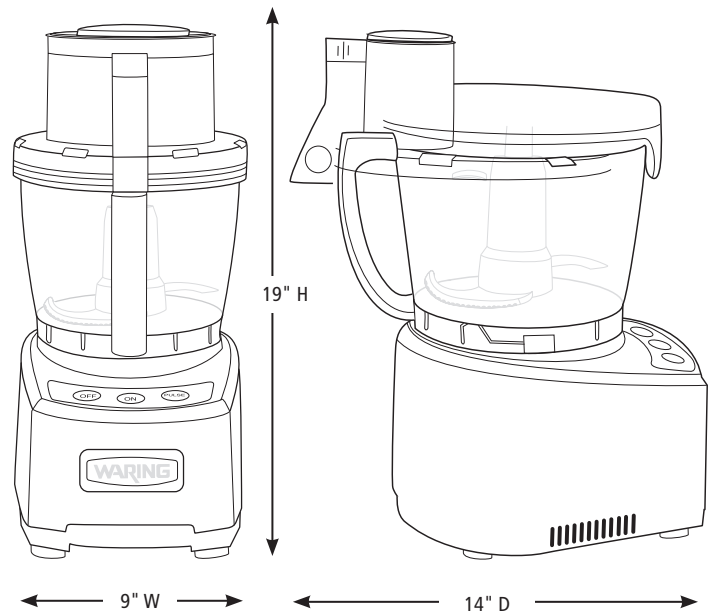


4-Quart LiquiLock® Seal System Bowl Cutter Mixer Food Processor WFP16S

PARTS & ACCESSORIES

- | | | | |
|--|--|--|--|
| | WFP16S1
Sealed
S-Blade | | WFP16S10
Adjustable
Slicing Disc |
| | WFP16S2
Sealed
4-Quart
Batch Bowl | | WFP16S11
Sealed
Whipping
Disc |
| | WFP16S3
Food
Processor Lid | | WFP16S12
Reversible
Shredding
Disc |
| | WFP16S4
Continuous-
Feed Chute | | WFP16S13
Dicing
Assembly |
| | WFP16S5
Continuous-
Feed Chute
Cover | | WFP16S16
Grating Disc |
| | WFP16S6
Large Pusher | | WFP16S22
Julienne Disc
4mm |
| | WFP16S7
Small Pusher | | WFP16S23
Julienne Disc
6.5mm |
| | WFP16S8
Slinger for
Continuous-
Feed Chute | | WFP16S24
Julienne Disc
8mm |
| | WFP16S9
Disc Stem | | |

DIMENSIONS



Out of Box Weight: 18.25 lb.

ORDERING INFORMATION	#STD. PKG.	GIFTBOX WEIGHT	CUBIC FEET	BOX DIMENSIONS	UPC	CASE PKG.	MC WEIGHT	MC DIMENSIONS	MBC
WFP16S – 4 qt. Bowl Cutter Mixer Food Processor with Patented LiquiLock® Seal System	1	27.45	2.34	12.25" x 15.25" x 21.625"	040072022487	1	27.45	15.75" x 12.75" x 22.5"	10040072022484



@waringcommercial

©2020 Waring Commercial
314 Ella T. Grasso Avenue, Torrington, CT 06790
Tel. 800-492-7464 • Fax 860-496-9008

waringcommercialproducts.com

20WC061588 / REV 05/20