



MX1500XTX

Reprogrammable Hi-Power Blender with Sound Enclosure and 64 oz. BPA-Free Copolyester Container



*Made in USA with US and foreign parts.

ELECTRICAL

Voltage: 120V

Frequency: 60Hz

Watts: 1500W

Amps: 12.5A

Plug Type: NEMA 5-15P 

Cord Length: 6 feet



MAIN FEATURES

- Heavy-duty, high-performance 3½ peak HP motor with adjustable speed controls is the strongest in its class. It powers through the toughest ice and frozen fruit mixtures in seconds.
- Super-high 45,000 RPM motor speed for the smoothest consistencies.
- 4 reprogrammable beverage stations for perfect results every time.
 - Factory-set programs for the most popular beverage types.
 - Easy to create your own customized programs—fully reprogrammable directly on the keyboard. No need for a USB or computer for programming.
- Daily and total drink counter display.
- Variable speed and time selections for maximum control over consistencies.
- Dual PULSE feature with reprogrammable speed control.
- Easy-to-clean electronic-membrane keypad.
- Sound enclosure included for noise reduction.
- The Raptor® 64 oz. stackable, BPA-free copolyester container.
 - Ultra-aggressive blade and jar design delivers smoother consistencies and faster results.
 - Unbreakable, dishwasher-safe construction.
- High-performance, high-impact stainless steel blade is user replaceable for easy servicing.
- User-replaceable, metal-on-metal stainless steel coupling system for durability and reliability.
- Easily removable container cover with removable clear cap lets you add ingredients and reduce pressure during hot food blending.
- One-piece, dishwasher-safe, removable jar pad.
- Recommended for 75+ cycles per day.
- Limited Three-Year Motor and Two-Year Parts & Labor Warranty.

SALES FEATURES

Get smooth, consistent results with the Waring® MX1500XTX. This heavy-duty 3½ peak HP blender maximizes power and efficiency using The Raptor® blade and jar assembly. It's ferocious enough for everything from smoothies and frozen drinks to thick spreads, desserts, dressings and all types of food preparation. The blender features an easy-to-clean electronic-membrane keypad with blue backlit LCD screen, adjustable speed controls and 4 reprogrammable beverage stations. The included sound enclosure for noise reduction is perfect for restaurants, health facilities, schools or coffee shops. Blend 75+ cycles per day.

Reprogrammable Hi-Power Blender with Sound Enclosure and 64 oz. BPA-Free Copolyester Container

MX1500XTX



@waringcommercial

©2022 Waring Commercial
314 Ella T. Grasso Avenue, Torrington, CT 06790
Tel. 800-492-7464 • Fax 860-496-9008

waringcommercialproducts.com

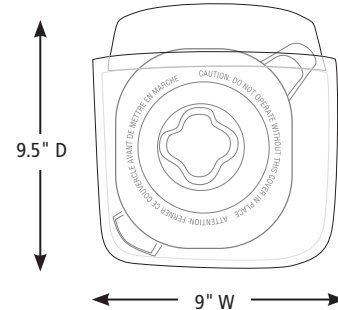
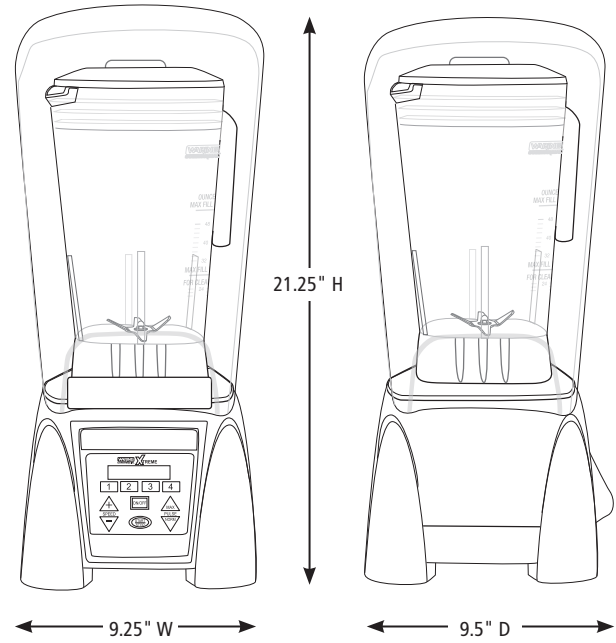


Reprogrammable Hi-Power Blender with Sound Enclosure and 64 oz. BPA-Free Copolyester Container MX1500TX

PARTS & ACCESSORIES

- | | | | |
|---|--|---|--|
|  | CAC90
64 oz. Stainless Steel Container |  | CAC95-12
64 oz. Green Copolyester Container |
|  | CAC93X
48 oz. Copolyester Container |  | CAC95-28
64 oz. Orange Copolyester Container |
|  | CAC93X-03
48 oz. Yellow Copolyester Container |  | CAC116
Blending Assembly Kit and Retainer Ring Kit |
|  | CAC93X-06
48 oz. Blue Copolyester Container |  | CAC119
Retainer Ring Wrench |
|  | CAC93X-10
48 oz. Purple Copolyester Container |  | CAC158
Blending Assembly Kit |
|  | CAC93X-12
48 oz. Green Copolyester Container |  | CAC159
Retainer Ring Kit |
|  | CAC93X-28
48 oz. Orange Copolyester Container |  | CAC160
Drive Coupling |
|  | CAC95
The Raptor® – Aggressive, All-Purpose, Stackable, 64 oz., BPA-Free Copolyester Container |  | CAC161
Drive Coupling Removal Tool |
|  | CAC95-03
64 oz. Yellow Copolyester Container |  | CAC169
Spatula – Custom designed for use with MX Series Blenders |
|  | CAC95-06
64 oz. Blue Copolyester Container |  | SE1000
Large Sound Enclosure |
|  | CAC95-10
64 oz. Purple Copolyester Container |  | SE500
Small Sound Enclosure |

DIMENSIONS



Out-of-Box Weight: 21.74 lb.

ORDERING INFORMATION	#STD. PKG.	GIFTBOX WEIGHT	CUBIC FEET	BOX DIMENSIONS D X W X H	UPC	CASE PKG.	MC WEIGHT	MC DIMENSIONS D X W X H	MBC
MX1500TX– Reprogrammable Hi-Power Blender with Sound Enclosure and 64 oz. BPA-Free Copolyester Container	1	24.35	2.286	20.375" x 11.75" x 16.5"	040072017032	1	25.95	20.875" x 12.125" x 17.25"	10040072017039



@waringcommercial

©2022 Waring Commercial
314 Ella T. Grasso Avenue, Torrington, CT 06790
Tel. 800-492-7464 • Fax 860-496-9008

waringcommercialproducts.com

22WC083135 / REV 03/22