

WARINGTM **COMMERCIAL**

AUTOMATIC/POUR-OVER COFFEE BREWERS
CAFETERAS COMERCIALES DE LLENADO
MANUAL/AUTOMÁTICO
CAFETIÈRES COMMERCIALES À REMPLISSAGE
MANUEL/AUTOMATIQUE



WCM50P/WCM60PT/WCM70PAP SERIES

For your safety and continued enjoyment of this product,
always read the instruction book carefully before using.

Para su seguridad y para disfrutar plenamente de este producto,
siempre lea las instrucciones cuidadosamente antes de usarlo.

Afin que votre appareil vous procure en toute sécurité beaucoup de satisfaction,
lire attentivement le mode d'emploi avant de l'utiliser.

TABLE OF CONTENTS

Important Safeguards	2
Introduction	4
Parts & Controls	6
Unpacking & Installation.....	9
Water & Electrical Hookup	9
Initial Start-Up Before Brewing Coffee – Automatic Fill (Plumbed) ..	10
Coffee Brewing – Automatic Fill (Plumbed).....	11
Initial Start-Up Before Brewing Coffee – Manual Fill (Pour over) – (Optional)	12
How to Switch Fill Mode to Manual	12
Coffee Brewing – MANUAL FILL (Pour over)	12
Temperature Adjustment	13
Cleaning & Maintenance	14
Troubleshooting	16
Warranty	17

IMPORTANT SAFEGUARDS

When using electrical appliances, especially when children are present, basic safety precautions should always be taken, including the following:

1. **READ ALL INSTRUCTIONS.**
2. Always unplug from outlet prior to handling or cleaning.
3. Do not touch hot surfaces. Use handles or knobs.
4. Do not move hot water dispenser when it contains hot water. Completely drain and let the exterior surface cool before moving.
5. This appliance is not intended for use by persons (including children) with reduced physical, sensory or mental capabilities, or lack of experience and knowledge, unless they are under supervision or have been given instruction concerning use of the appliance by a person responsible for their safety.
6. To protect against fire, electrical hazards, and/or personal injury, do not immerse cord, plugs or base in water or other liquids.
7. Close supervision is necessary when any appliance is used by or near children.

8. Do not operate any appliance with a damaged cord or plug or after the appliance malfunctions or has been dropped or damaged in any manner. Return appliance to the nearest Waring Repair Center for examination, repair, and electrical or mechanical adjustment.
9. The use of accessory attachments not recommended by Waring may cause injuries.
10. This appliance is not intended for outdoor use.
11. Do not let cord hang over edge of table or counter or touch hot surfaces.
12. Do not place on or near a hot gas or electric burner, or in a heated oven.
13. Do not use appliance for other than its intended use.
14. Scalding may occur if the lid is removed during the filling and heating process.
15. This Coffee Brewer is equipped with a 3-prong grounding plug and must be plugged into a correctly polarized 3-prong grounding-type wall receptacle.
16. To reduce risk of electric shock, do not remove or open cover. No user-serviceable parts inside. Repair should be done by authorized service personnel only.
17. Do not clean with a water jet or use in an area where a water jet may be used.
18. To reduce risk of explosion or fire, do not use near combustibles.
19. Do not use extension cords.
20. For safe and proper operation, the appliance must be placed in a stable, vertical position.
21. To reduce risk of serious burns or scalding, do not place hand or other body parts under dispenser or container while heating.
22. Always unplug unit from power supply before servicing.
23. Surfaces are hot and can cause burns.

**SAVE THESE INSTRUCTIONS
FOR COMMERCIAL USE ONLY**

INTRODUCTION

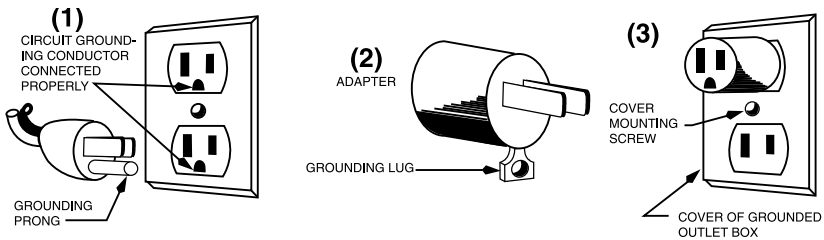
Thank you for purchasing this Waring™ Commercial Coffee Brewer.

Features & Benefits

- High-end industrial design
- Stainless steel construction
- Guard rails for warming surface (WCM50P, WCM60PT)
- Two separately controlled upper and lower warmers keep coffee at the ideal serving temperatures (WCM50P)
- Self-regulating warmers to prevent overheating (WCM50P)
- Ready & Power lights
- Built-in Pour-Over and Automatic refill features (WCM50P, WCM60PT)
- Hot water faucet
- Narrow footprint allows you to save on counter space!
- WCM70PAP designed for taller airpots up to 3.0L.

GROUNDING INSTRUCTIONS

For your protection, the Waring™ Commercial Coffee Brewer is equipped with a 3-conductor cord set that has a molded 3-prong grounding-type plug, and should be used in combination with a properly connected grounding-type outlet, as shown in Figure 1. If a grounding-type outlet is not available, an adapter, shown in Figure 2, may be obtained so that a 2-slot wall outlet can be used with a 3-prong plug. Referring to Figure 3, the adapter must be grounded by attaching its grounding lug under the screw of the outlet cover plate.



CAUTION: Before using an adapter, it must be determined that the outlet cover plate screw is properly grounded. If in doubt, consult a licensed electrician. Never use an adapter unless you are sure it is properly grounded.

NOTE: Use of an adapter is not permitted in Canada.

SHORT CORD INSTRUCTIONS

A short power-supply cord is provided to reduce the risk resulting from becoming entangled in or tripping over a longer cord.

If a longer detachable power-supply cord or extension cord is used, (1) the marked electrical rating of the extension cord should be at least as great as the electrical rating of the appliance, and (2) the longer cord should be arranged so that it will not drape over the countertop or tabletop where it can be pulled on by children or tripped over unintentionally.



WARNING

RISK OF FIRE OR ELECTRIC SHOCK
DO NOT OPEN









WARNING: TO REDUCE THE RISK OF FIRE OR ELECTRIC SHOCK,
DO NOT REMOVE COVER (OR BACK)
NO USER-SERVICEABLE PARTS INSIDE
REPAIR SHOULD BE DONE BY AUTHORIZED SERVICE PERSONNEL ONLY



The lightning flash with arrowhead symbol within an equilateral triangle is intended to alert the user to the presence of uninsulated, dangerous voltage within the product's enclosure that may be of sufficient magnitude to constitute a risk of fire or electric shock to persons.



The exclamation point within an equilateral triangle is intended to alert the user to the presence of important operating and maintenance (servicing) instructions in the literature accompanying the appliance.

Model	Electrical	Plug	Approval
WCM50P	120V, 1800W, 60Hz	5-15P 	TUVus, NSF
WCM50PC	120V, 1440W, 60Hz	5-15P 	cTUVus, NSF
WCM60PT	120V, 1660W, 60Hz	5-15P 	TUVus, NSF
WCM60PTC	120V, 1300W, 60Hz	5-15P 	cTUVus, NSF
WCM70PAP	120V, 1660W, 60Hz	5-15P 	TUVus, NSF
WCM70PAPC	120V, 1300W, 60Hz	5-15P 	cTUVus, NSF

PARTS – WCM50P



1. Upper warmer with guardrail
2. Ready and Power lights
3. Brew button
4. Rocker switches for upper and lower warmers
5. Hot water faucet
6. Brew basket
7. Stainless steel housing
8. Lower warmer
9. Rubber anti-slip feet adjustable for leveling coffeemaker
10. Power cord (not shown)
11. Pour-over opening
12. Rear access panel (not shown)

CONTROLS – WCM50P



Power Light

– indicates the unit is plugged in and ready to use



Ready Light

– illuminates when water is heated and ready for brewing



Brew Button

– starts brewing



Lower Warmer Switch

– heats lower warmer



Upper Warmer Switch

– heats upper warmer



Hot Water Faucet

– hot water on demand



PARTS – WCM60PT



1. Guardrail
2. Ready and Power lights
3. Brew button
4. Hot water faucet
5. Brew basket
6. Stainless steel housing
7. Rubber anti-slip feet adjustable for leveling coffeemaker
8. Power cord (not shown)
9. Pour-over opening
10. Rear access panel (not shown)
11. Rubber stopper

CONTROLS – WCM60PT



Power Light
– indicates the unit is plugged in and ready to use



Ready Light
– illuminates when water is heated and ready for brewing



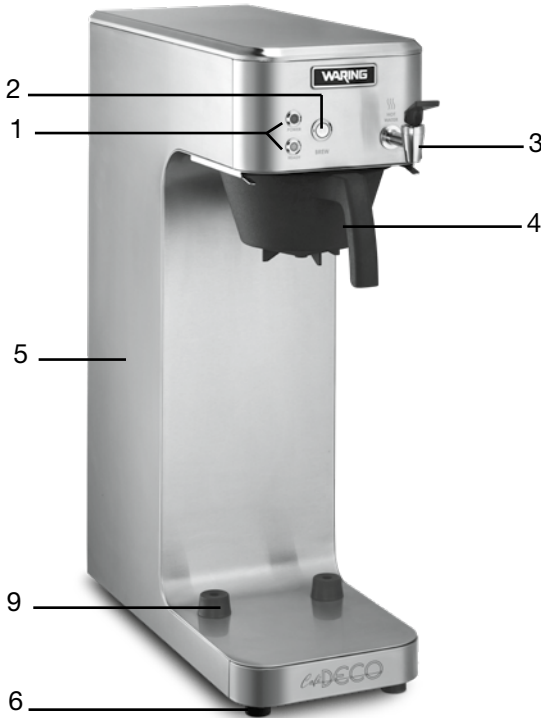
Brew Button
– starts brewing



Hot Water Faucet
– hot water on demand



PARTS – WCM70PAP



1. Ready and Power lights
2. Brew button
3. Hot water faucet
4. Brew basket
5. Stainless steel housing
6. Rubber anti-slip feet adjustable for leveling coffeemaker
7. Power cord (not shown)
8. Rear access panel (not shown)
9. Rubber stopper

CONTROLS – WCM70PAP



Power Light

– indicates the unit is plugged in and ready to use



Ready Light

– illuminates when water is heated and ready for brewing



Brew Button

– starts brewing



Hot Water Faucet

– hot water on demand



UNPACKING & INSTALLATION

CAUTION: This is a heavy piece of equipment. It is recommended that moving or lifting the unit be done by two people to avoid injury. Carefully unpack the machine and make sure there was no damage during shipping. Contact customer service if you notice any issues.

NOTE: The person installing the appliance is responsible for ensuring that electric and water connections meet the requirements of the national electric code, national plumbing code, and any local ordinances.

WATER HOOKUP

NOTE: The coffee brewer must be installed in compliance with applicable federal, state and/or local plumbing codes having jurisdiction. This product requires an approved backflow prevention water device, such as a double check valve, to be installed between the machine and the water supply. Incoming pressure should be greater than 30 psi and not more than 70 psi.

NOTE: Connecting the coffee brewer to a warm water supply will speed up heating and recovery times.

1. The coffee brewer is equipped with a ¾" GHT (garden hose thread) flare water inlet fitting, which is located on the back of the unit. A compression fitting adapter for ¼" OD water line is also provided if needed.
2. Provide shutoff valve and union in supply line near the coffee brewer.
3. Minimum inlet pressure at coffee brewer should be 30 psi and maximum inlet pressure recommended at 70 psi.
4. Turn on the water supply line and check for leaks.

NOTE: A filtering system is recommended to remove odors and inhibit lime and scale buildup in the unit.

NOTE: In areas with extremely hard water, a water softener must be installed in order to prevent mineral deposits that may cause malfunctioning of the equipment.

ELECTRICAL HOOKUP

NOTE: This equipment must be installed in compliance with applicable federal, state and/or local electrical codes having jurisdiction. Do not use extension cords. Make sure that the outlet is properly grounded.

1. Check rating marking on coffee brewer nameplate to be sure electric lines match voltage, phase, and amperage requirements of coffee brewer. Select the proper cord and cord grip for electrical rating of the coffee brewer.
2. For U.S., 120V coffee brewers are provided with a 120V/15A grounding plug.

DEFAULT SETTINGS

WCM50P

- Temperature – 200°F
- Water connection: Plumbed into water supply
- Volume: 64 oz.

WCM60PT

- Temperature – 200°F
- Water connection: Plumbed into water supply
- Volume: 64 oz.

WCM70PAP

- Temperature – 200°F
- Volume: 85 oz.

INITIAL START-UP BEFORE BREWING COFFEE – AUTOMATIC FILL (PLUMBED)

CAUTION: The brewer must be disconnected from the power source throughout the initial setup, except when specified in the instructions.

1. Make sure the unit is in the OFF position (switch located on the rear of the unit).
2. Connect the water line to the water inlet fitting on the rear of the unit. Do not plug in the power cord at this time.

NOTE: WCM50P/WCM60PT is factory preset in AUTOMATIC MODE.

3. Insert an empty brew basket into the brew rails of the brewer.
4. To prime the new unit, place an empty decanter under the brew basket.
5. Connect the brewer to the power source. Once power has been supplied to the unit, flip the rocker switch to the ON position (switch located on the rear of the unit).

NOTE: Red POWER light will illuminate on front panel as well. Slight dripping from the brew basket is normal as the tank heats up.

6. When the coffee brewer is turned on, the water tank will automatically fill.
7. Once heated to brewing temperature, the green READY light will illuminate.
8. The brewer is ready to operate when the green READY light illuminates.

COFFEE BREWING – AUTOMATIC FILL (PLUMBED)

1. Insert a filter into the funnel of the brew basket.
2. Place appropriate amount of ground coffee into the filter and level the bed of grounds by gently shaking.
3. Slide the funnel into the rails on the coffee brewer.
4. Press the left rocker switch to activate the lower warmer. Press the right rocker to activate the upper warmer.
5. Place an empty decanter beneath the brew basket prior to brewing.
6. After the green READY light has illuminated, press the BREW button to begin the brewing cycle.
7. Hot water will be delivered through the spray head. This distributes the hot water evenly over the coffee bed within the brew basket. The brewed coffee will drain from the brew basket into the decanter below.
8. Once the decanter is filled, simply discard the grounds and filter.
9. TURN OFF WARMERS WHEN NOT IN USE.

HOT WATER FAUCET

– WCM50P/WCM60PT/WCM70PAP ONLY

- 1) The hot water faucet may be used to dispense a cup of hot water at any time. Not intended for filling carafes, pitchers, etc. Attempting to dispense more than 8-10 ounces will result in cool water. **NOTE:** Faucet will not work with the pour-in feature; brewer must be plumbed to a working water supply line.

INITIAL START-UP BEFORE BREWING COFFEE – MANUAL FILL (POUR OVER) – (OPTIONAL)

NOTE: WCM50P & WCM60PT are factory preset in Automatic mode. Never use manual pour-over mode if WCM50P & WCM60PT are in automatic mode. If manual operation is desired, brewer must be switched into manual mode through the rear access panel.

PREP FOR MANUAL MODE

1. Open the rear access panel located on the back of the unit.
2. Locate Automatic/Manual switch.
3. Place switch in down position to activate manual pour-over mode.
4. Brewer is now set to manual pour-over mode – you can close rear access panel.

CAUTION: The brewer must be disconnected from the power source throughout the initial set-up, except when specified in the instructions. **The brewer must be manually filled the first-time before start-up.**

1. Make sure the unit is in the OFF position (switch located on the rear of the unit).
2. Insert an empty brew basket into the brew rails of the brewer.
3. Place an empty decanter under the brew basket.
4. Slowly pour 3 pots or 192 oz./5.7 liters of water into the brew opening until the brewer is full, before plugging it in.
5. Stop when a slight excess indicates that the tank is full. Always have an empty decanter under the brew head.
6. Connect the brewer to the power source. Once power has been supplied to the unit, flip the rocker switch to the ON position (switch located on the rear of the unit). **NOTE:** Red POWER light will illuminate on front panel as well. Slight dripping from the brew basket is normal as the tank heats up.
7. Always have an empty decanter under the brew basket.
8. Allow the brewer to heat up to full temperature. Once complete, the green READY light will illuminate.

COFFEE BREWING – MANUAL FILL (POUR-OVER)

1. Insert a filter into the brew basket.

2. Place appropriate amount of ground coffee into the filter and level the bed of grounds by gently shaking.
3. Slide the brew basket into the brew rails.
4. Place an empty decanter beneath the brew basket.
5. Pour 64 oz. of tap water into the screened area on top of the brewer. Allow 1-2 minutes for 64 oz. pour to heat up.
NOTE: GREEN ready light will indicate when water reaches brew temperature.
6. Press the BREW button to activate brew cycle.
7. Hot water will be delivered through the spray head. This distributes the hot water evenly over the coffee bed within the brew basket. The brewed coffee will drain from the brew basket into the carafe below.
8. Once the carafe is filled, simply discard the grounds and filter.
9. TURN OFF WARMERS WHEN NOT IN USE.

VOLUME ADJUSTMENT (WCM70PAP ONLY)

Firstly, identify the desired size of the airpot in use. Once you know the volume of the airpot, you have the ability to adjust the output volume to match the size of the airpot. To adjust the volume output, locate the rear access panel on the rear of the unit. Find the dip switch section and identify the switch positions for desired volume.

NOTE: WCM70PAP is factory set to 85 oz.

FINE VOLUME ADJUSTMENT

When brewing, there may be a need to adjust the final brew volume based on the level of coffee in the carafe or airpot. The selector switch behind the rear access panel marked "OZ" can be adjusted to either increase or decrease the level in the carafe or airpot. The factory default setting is the zero position. To increase volume, turn switch clockwise; to decrease volume turn switch counterclockwise. In between brews, you can adjust the selector switch and run your next brew to confirm the new coffee level.

TEMPERATURE ADJUSTMENT

1. To access the temperature adjustment feature, unplug the power cord and see the back of the unit.
2. Open the rear access panel.

3. Locate temperature adjustment dial. Adjust thermostat by turning the dial: counterclockwise to decrease temperature, and clockwise to increase temperature.
NOTE: WCM50P/WCM60PT/WCM70PAP is factory set at 202°F.
4. Consult the table behind the rear access panel for a list of recommended temperatures.
5. Refer to the table below for proper brewing temperature based on altitude.
6. Once temperature is adjusted, close rear access panel.

Feet	Meters	Suggested Setting (°F)	Boiling Point (°F)	Suggested Setting (°C)	Boiling Point (°C)
0	0	202	212	96	100
500	152	202	211	96	99.5
1000	305	200	210	93	98.9
2000	610	200	208	93	97.8
2500	762	200	207	93	97.3
3000	914	200	206	93	96.8
3500	1067	195	205	92	96.3
4000	1219	195	204	91	95.7
4500	1372	195	203	90	95.2
5000	1524	195	202	90	94.7
5500	1676	190	201	89	94.2
6000	1829	190	201	89	93.6
6500	1981	190	199	88	93.1
7000	2134	190	198	87	92.6
7500	2286	190	198	86	92.1
8000	2438	185	197	86	91.6
8500	2591	185	196	85	91.1

CLEANING & MAINTENANCE

ALWAYS DISCONNECT OR UNPLUG THE COFFEE BREWER BEFORE CLEANING. Allow the brewer to cool completely before handling or before cleaning.

1. The use of a damp cloth rinsed in any mild, nonabrasive liquid detergent is recommended for cleaning all surfaces on Waring equipment.

- a. DO NOT use any cleaning fluids that can be harmful to you, others around you, or to the environment.
- b. DO NOT hose down, immerse or pressure wash any part of the coffee brewer.
- c. NEVER use steel wool or abrasive materials to clean the coffee brewer.

NOTE: All sanitizing agents in the food zone must comply with U.S. Food & Drug Administration Code of Federal Regulations Title 21, Section 178.1010. Sanitize all food-dispensing units periodically. All parts to be sanitized must be cleaned first. Cleaning and sanitizing frequency must follow state and local health department regulations.

NOTE: Do not use cleansers, bleach liquids, powders, or any other substance containing chlorine. These products promote corrosion and will pit the stainless steel. **USE OF THESE PRODUCTS WILL VOID THE WARRANTY.**

2. Check and clean the spray head underneath the front panel. The spray head holes must always remain open.
3. To remove the spray head from the brew head, follow the instructions below.
4. If brew basket is in place, remove in order to access the spray head.
5. Once brew basket has been removed, reach under the brew head and grab spray head with hand. **NOTE:** Make sure unit is completely cooled.
6. Gently but firmly pull down on the spray head to unlatch it.
7. Wipe inside of brew head and area around the brew head with a soft clean cloth or sponge moistened with clean water.
8. Wash the spray head in a sink using warm water and a mild detergent. A bristle brush may be used to clear clogged spray holes. Rinse the spray disk with clean water and allow to air-dry.
9. Once dry, reinstall the spray head under the brew head.
10. It's recommended to clean the spray head at the end of every service week.

11. Wash the brew basket in a sink using warm water and a mild detergent. A bristle brush may be used to clean the inside. Rinse with clean water and allow to air-dry.

NOTE: In hard-water areas, this may need to be done more frequently. It will help prevent liming problems in the brewer and takes less than a minute to complete.

TROUBLESHOOTING

A troubleshooting guide is provided to suggest probable causes and remedies for the most likely problems encountered. If the problem remains after exhausting the troubleshooting steps, contact the Waring Technical Service Department.

- Inspection, testing, and repair of electrical equipment should be performed only by qualified service personnel.
- The use of two wrenches is recommended whenever plumbing fittings are tightened or loosened. This will help to avoid twists and kinks in the tubing.
- Make certain that all plumbing connections are sealed and electrical connections are tight and isolated.
- This brewer is heated at all times. Keep away from combustibles.

WARNING

- Exercise extreme caution when servicing electrical equipment.
- Unplug the brewer when servicing.

Problem	Probable Cause	Remedy
Brew cycle will not start	<ol style="list-style-type: none"> 1. Brew button not pressed 2. No power 3. No water 	<ol style="list-style-type: none"> (1.) Press brew button. (2.A) Turn on main power switch. (2.B) Check that the power cord is securely plugged into outlet. (2.C) Check circuit breakers or fuses. (3.A) Water lines and valves to the brewer must be open. (3.B) Check for plugged water filter.
Inconsistent beverage level	<ol style="list-style-type: none"> 1. Lime buildup 2. Water pressure fluctuating 	<ol style="list-style-type: none"> (1.) Clean spray head. (2.) Have a pressure regulator installed.
Spitting or excessive steaming	Lime buildup	(1.) Clean spray head

Weak beverage	<ol style="list-style-type: none"> 1. Filters 2. Coffee grinds 3. Spray head 4. Brew basket loading 	<ol style="list-style-type: none"> (1.) Make sure you are using proper coffee filters. (2.) A fine or drip grind must be used for proper extraction. (3.) A clean spray head must be used for proper extraction. (4.) Proper filter must be centered in the brew basket and the bed of grounds leveled by a gentle shake.
Dry coffee grounds remain in the brew basket	<ol style="list-style-type: none"> 1. Brew basket loading 2. Spray head 	<ol style="list-style-type: none"> (1.) Proper filter must be centered in the brew basket and the bed of grounds leveled by gently shaking. (2.) A clean spray head must be used for proper extraction.

WARRANTY – 2 YEARS PARTS AND 1 YEAR LABOR (U.S. AND CANADA ONLY)

Waring warrants every new Waring™ Commercial Automatic/Pour-Over Coffee Brewer to be free from defects in materials for a two-year period, and workmanship for a period of one year from the date of purchase when used with foodstuffs, nonabrasive liquids (other than detergents) and nonabrasive semiliquids, providing it has not been subject to loads in excess of the indicated rating.

These warranty periods run from the date of installation. Waring warrants that the equipment manufactured by it will be commercially free of defects in material and workmanship existing at the time of manufacture and appearing within the applicable warranty period. This warranty does not apply to any equipment, component or part that was not existing at the time of purchase or that, in Waring’s judgment, has been affected by misuse, neglect, alteration, improper installation or operation, improper maintenance or repair, non-periodic cleaning and descaling, equipment failures related to poor water quality, damage or casualty including, but not limited to, excessive lime and chlorine. In addition, the warranty does not apply to replacement of items subject to normal use, including but not limited to user replaceable parts such as seals and gaskets.

Under this warranty, Waring will repair or replace any part that, upon our examination, is defective in materials or workmanship, provided the product is delivered prepaid to the Waring Service Center at 314 Ella T. Grasso Ave., Torrington, CT 06790, or any Factory Approved Service Center.

ÍNDICE

Medidas de seguridad importantes	18
Introducción	20
Piezas y controles	22
Desembalaje e instalación.....	25
Conexión a la red de agua/eléctrica	25
Puesta en servicio inicial (llenado automático)	26
Preparación del café (llenado automático).....	27
Puesta en servicio inicial (llenado manual).....	28
Cómo cambiar el modo de llenado a manual	28
Preparación del café (llenado manual)	29
Cómo ajustar la temperatura.....	29
Limpieza y mantenimiento.....	30
Resolución de problemas	32
Garantía.....	33

MEDIDAS DE SEGURIDAD IMPORTANTES

Al usar aparatos eléctricos, especialmente en presencia de niños, siempre debe tomar precauciones básicas de seguridad, entre ellas las siguientes:

1. **LEA TODAS LAS INSTRUCCIONES.**
2. Siempre desenchufe el aparato antes de cualquier manipulación o mantenimiento, y antes de la limpieza.
3. No toque las superficies calientes; use los mangos/asas y los botones/perillas.
4. No mueva el aparato mientras contenga agua caliente; vacíelo completamente y espere hasta que la superficie exterior se haya enfriado antes de moverlo.
5. Los niños o las personas que carezcan de la experiencia o de los conocimientos necesarios para manipular el aparato, o aquellas cuyas capacidades físicas, sensoriales o mentales estén limitadas, no deben usar el aparato sin la supervisión o la dirección de una persona responsable por su seguridad.
6. Para reducir el riesgo de incendio, descarga eléctrica o lesiones, no sumerja el cable, el enchufe, ni la base en agua ni en ningún otro líquido.

7. Supervise el uso de este aparato cuidadosamente cuando sea usado por o cerca de niños.
8. No use este aparato si el cable o el enchufe están dañados, después de un mal funcionamiento, después de que se haya caído, o si está dañado; devuélvalo a un centro de servicio autorizado para su revisión, reparación o ajuste.
9. El uso de accesorios no recomendados por Waring para uso con este modelo puede causar heridas.
10. Esta unidad no está diseñada para uso en exteriores.
11. No permita que el cable cuelgue del borde de la encimera o de la mesa, ni que tenga contacto con superficies calientes.
12. No coloque el aparato sobre o cerca de un quemador a gas o de un hornillo eléctrico caliente, ni en un horno caliente.
13. No use el aparato para ningún fin que no sea el indicado.
14. No quite la tapa durante el llenado o el calentamiento; esto puede causar quemaduras graves.
15. Este aparato cuenta con un cable de puesta a tierra, con un enchufe de tierra, el cual debe ser enchufado en una toma de corriente debidamente puesta a tierra.
16. Para reducir el riesgo de descarga eléctrica, no abra/quita la carcasa. Este aparato no contiene ninguna pieza que pueda ser reparada/cambiada por el usuario. Las reparaciones deben ser efectuadas por técnicos autorizados solamente.
17. No limpie el aparato a presión/con un chorro de agua, y no lo use en un lugar donde se use un rociador/chorro de agua.
18. Para reducir el riesgo de explosión o incendio, no lo use cerca de combustibles.
19. No use la unidad con un cable alargador/de extensión.
20. Coloque siempre la unidad en posición vertical, sobre una superficie estable, para garantizar un funcionamiento adecuado y seguro.
21. Para reducir el riesgo de quemaduras o escaldaduras graves, no coloque la mano ni ninguna otra parte del cuerpo debajo de la unidad o del grifo mientras el agua se esté calentando.
22. Siempre desenchufe la unidad antes de realizar cualquier trabajo de mantenimiento.
23. Las superficies de la unidad se ponen muy calientes y pueden causar quemaduras.

GUARDE ESTAS INSTRUCCIONES PARA USO COMERCIAL SOLAMENTE

INTRODUCCIÓN

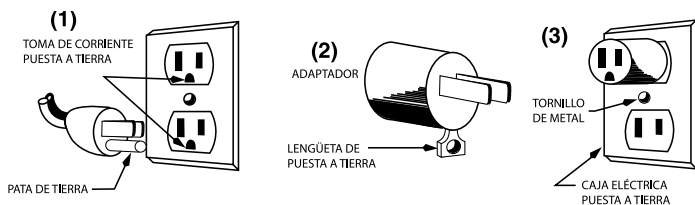
Gracias por comprar la cafetera comercial Waring™ Commercial.

Características

- Diseño industrial de alta calidad
- Carcasa de acero inoxidable
- Barras de protección alrededor de la placa calentadora superior (WCM50P, WCM60PT)
- Placas calentadoras controladas por separado mantienen el café a la temperatura de servicio ideal (WCM50P)
- Elementos calentadores autoreguladores para evitar el sobrecalentamiento (WCM50P)
- Luces de listo y encendido
- Llenado manual o automático (WCM50P, WCM60PT)
- Grifo de agua caliente
- ¡Diseño delgado para ahorrar espacio!
- El modelo WCM70PAP está diseñado para dispensadores térmicos altos de hasta 3 L.

INSTRUCCIONES DE PUESTA A TIERRA

Para su protección, su aparato cuenta con un cable de puesta a tierra equipado con un enchufe de tierra, el cual debe ser conectado a una toma de corriente debidamente puesta a tierra (Fig. 1). Si una toma de corriente con toma de tierra no está disponible, se podrá usar un adaptador para conectar el aparato a una toma de corriente sin toma de tierra (Fig. 2). El adaptador debe ser puesto a tierra mediante un tornillo de metal que conecte la lengüeta del adaptador a la placa de la toma de corriente (Fig. 3).



PRECAUCIÓN: Antes de enchufar el adaptador, cerciórese de que la toma de corriente está puesta a tierra. Si no está seguro/a, comuníquese con un electricista. Nunca use un adaptador sin estar seguro/a de que la toma de corriente esté puesta a tierra.

NOTA: Está prohibido usar un adaptador en Canadá.

USO DE ALARGADORES

El cable provisto con este aparato es corto, para reducir el riesgo de que alguien se enganche o tropiece con un cable más largo.

Se podrá usar un cable alargador/de extensión o un cable removible más largo, siempre que (1) la clasificación nominal del cable alargador/de extensión o del cable sea por lo menos igual a la del aparato y que (2) el cable más largo o la extensión sean acomodados de tal manera que no cuelguen de la encimera/mesa, donde puede ser jalado por niños o causar tropiezos.



El símbolo de relámpago con punta de flecha dentro de un triángulo equilátero tiene como fin alertar al usuario de la presencia de voltajes peligrosos no aislados en el interior del aparato, los cuales pueden ser de suficiente magnitud para constituir un riesgo de incendio o descarga eléctrica.



El signo de exclamación dentro de un triángulo equilátero tiene como fin alertar al usuario de la presencia de instrucciones importantes de operación y mantenimiento (servicio) en la documentación que acompaña al equipo.

Modelo	Especificaciones eléctricas	Enchufe	Certificaciones
WCM50P	120 V, 1800 W, 60 Hz	5-15P (i)	TUVus y NSF
WCM50PC	120 V, 1440 W, 60 Hz	5-15P (i)	cTUVus, NSF
WCM60PT	120 V, 1660 W, 60 Hz	5-15P (i)	TUVus y NSF
WCM60PTC	120 V, 1300 W, 60 Hz	5-15P (i)	cTUVus, NSF
WCM70PAP	120 V, 1660 W, 60 Hz	5-15P (i)	TUVus y NSF
WCM70PAPC	120 V, 1300 W, 60 Hz	5-15P (i)	cTUVus, NSF

PIEZAS – WCM50P



1. Placa calentadora superior con barras de protección
2. Luces de listo y encendido
3. Botón BREW (comenzar la preparación)
4. Controles de las placas calentadoras superior e inferior
5. Grifo de agua caliente
6. Filtro
7. Carcasa de acero inoxidable
8. Placa calentadora inferior
9. Pies de goma antideslizantes de altura regulable
10. Cable (no ilustrado)
11. Boca de llenado del depósito de agua (para el llenado manual)
12. Panel de acceso trasero (no ilustrado)

CONTROLES – WCM50P



Luz de encendido

– Se enciende cuando la unidad está enchufada



Luz de listo

– Se enciende cuando el agua está caliente



Botón BREW

– Inicia el ciclo de preparación



Interruptor LOWER WARMER

– Enciende/apaga la placa calentadora inferior



Interruptor UPPER WARMER

– enciende la placa calentadora superior

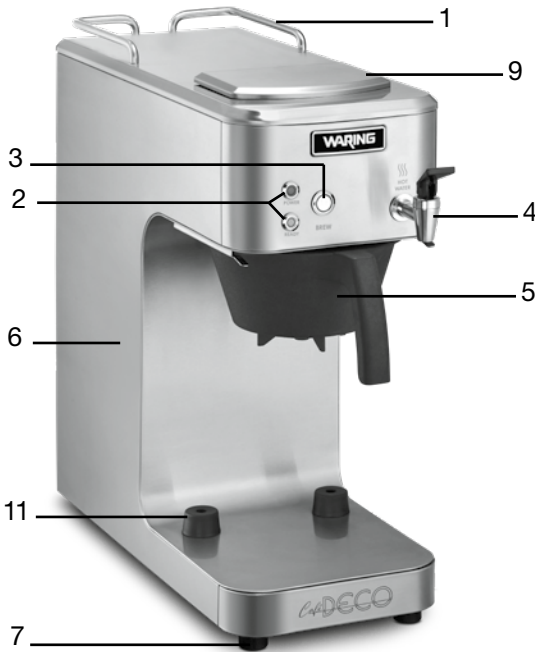


Grifo de agua caliente

– Agua caliente a pedido



PIEZAS – WCM60PT



1. Barras de protección
2. Luces de listo y encendido
3. Botón de preparación
4. Grifo de agua caliente
5. Filtro
6. Carcasa de acero inoxidable
7. Pies de goma antideslizantes de altura regulable
8. Cable (no ilustrado)
9. Boca de llenado del depósito de agua (para el llenado manual)
10. Panel de acceso trasero (no ilustrado)
11. Topes de caucho

CONTROLES – WCM60PT



Luz de encendido
– Se enciende cuando la unidad está enchufada



Luz de listo
– Se enciende cuando el agua está caliente



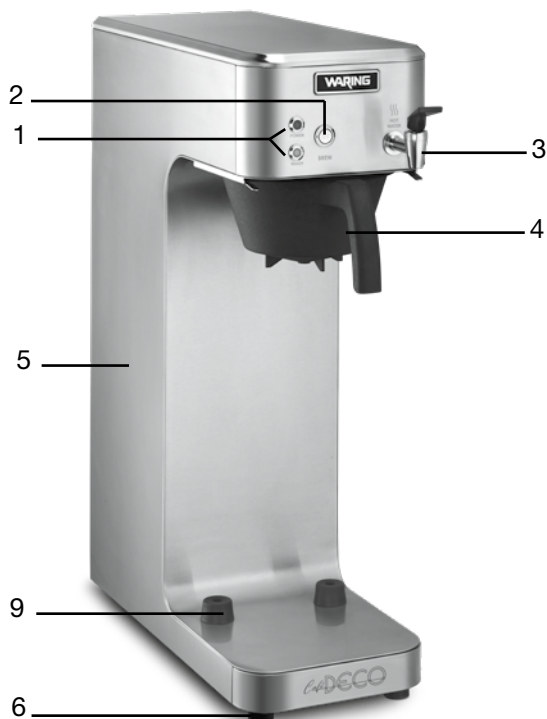
Botón BREW
– Inicia el ciclo de preparación



Grifo de agua caliente
– Agua caliente a pedido



PIEZAS – WCM70PAP



1. Luces de listo y encendido
2. Botón BREW (comenzar la preparación)
3. Grifo de agua caliente
4. Portafiltro
5. Carcasa de acero inoxidable
6. Pies de goma antideslizantes de altura regulable
7. Cable (no ilustrado)
8. Panel de acceso trasero (no ilustrado)
9. Topes de caucho

CONTROLES – WCM70PAP



Luz de encendido

– Se enciende cuando la unidad está enchufada



Luz de listo

– Se enciende cuando el agua está caliente



Botón BREW

– Inicia el ciclo de preparación



Grifo de agua caliente

– Agua caliente a pedido



DESEMBALAJE E INSTALACIÓN

PRECAUCIÓN: Este aparato es pesado; es aconsejable moverlo o levantarlo entre dos personas para evitar lesiones. Desembale la unidad con cuidado y cerciórese de que no se ha dañado durante el transporte. En caso de problemas, póngase en contacto con nuestro servicio de atención al cliente.

NOTA: Es responsabilidad del instalador del aparato asegurarse de que las conexiones eléctricas y de agua cumplan con los requisitos del código eléctrico nacional, el código nacional de plomería y cualquier ordenanza local.

CONEXIÓN A LA RED DE AGUA

NOTA: Este aparato debe ser instalado de acuerdo con los códigos de plomería nacionales, regionales o locales aplicables. Requiere un dispositivo antireflujo aprobado, tal como una válvula antirretorno doble, entre la unidad y la conexión de agua. La presión de entrada debe estar entre 30 psi y 70 psi.

NOTA: Conectar el aparato a una fuente de agua caliente reduce el tiempo de calentamiento y recuperación.

1. La cafetera comercial cuenta con una conexión de entrada ensanchada tipo NH (rosca de manguera de jardín) de $\frac{3}{4}$ in. (19 mm), situada en la parte posterior de la unidad. Un adaptador de compresión para línea de agua de $\frac{1}{4}$ in. (6 mm) (diámetro exterior) también se proporciona si es necesario.
2. Proporcione una válvula de cierre y una conexión en la línea de suministro de agua cerca de la unidad.
3. La presión de entrada debe estar entre 30 psi y 70 psi.
4. Abra el suministro de agua y compruebe que no hay fugas.

NOTA: Se recomienda usar un sistema de filtración para eliminar los olores y evitar la acumulación de cal y sarro en el depósito de agua.

NOTA: En áreas donde el agua es extremadamente dura, se debe instalar un ablandador de agua para evitar depósitos minerales que puedan interferir con el buen funcionamiento de la unidad.

CONEXIÓN A LA RED ELÉCTRICA

NOTA: Este aparato debe instalarse de acuerdo con los códigos nacionales, regionales y locales aplicables. No use la unidad con un cable alargador/de extensión. Cerciórese de que la toma de corriente está correctamente conectada a tierra.

1. Chequee las especificaciones eléctricas del dispositivo, indicadas en su placa de especificaciones técnicas, y cerciórese de que la línea eléctrica usada corresponde a la tensión, fase y amperaje requeridos. Cerciórese de usar el cable y el enchufe Instrucciones de preparación.
2. Los modelos de 120 V, destinados al mercado norteamericano, cuentan con un enchufe de conexión a tierra de 120 V/15 A.

OPCIONES POR DEFECTO

WCM50P

- Temperatura– 200 °F (93 °C)
- Modo de llenado: Automático (conexión al agua corriente)
- Capacidad: 64 onzas (1.9 L)

WCM60PT

- Temperatura– 200 °F (93 °C)
- Modo de llenado: Automático (conexión al agua corriente)
- Capacidad: 64 onzas (1.9 L)

WCM70PAP

- Temperatura– 200 °F (93 °C)
- Capacidad: 85 onzas (2.5 L)

PUESTA EN SERVICIO INICIAL (LLENADO AUTOMÁTICO)

PRECAUCIÓN: Salvo indicación contraria en las instrucciones, la cafetera debe estar desconectada de la fuente de alimentación durante la configuración inicial.

1. Compruebe que el interruptor principal, situado en la parte trasera de la unidad, está en “OFF”.
2. Conecte la línea de agua a la conexión de entrada de agua en la parte posterior de la unidad. No enchufe la unidad todavía.

NOTA: Los modelos WCM50P/WCM60PT están preajustados de fábrica en “AUTOMÁTICO” (llenado automático).

3. Inserte el portafiltro vacío en los rieles.
4. Coloque una jarra vacía debajo del portafiltro.
5. Enchufe el cable en una toma de corriente. Una vez enchufado el cable, ponga el interruptor principal, situado en la parte trasera de la unidad, en “ON”.

NOTA: La luz de encendido roja “POWER” se encenderá. Es normal que un poco de líquido salga del portafiltro mientras el agua se calienta.

6. Después de encender la unidad, el depósito de agua se llenará automáticamente.
7. La luz de listo verde “READY” se encenderá cuando el aparato alcance la temperatura deseada.
8. Cuando la luz de listo verde “READY” se encienda, el aparato está listo.

PREPARACIÓN DEL CAFÉ (LLENADO AUTOMÁTICO)

1. Coloque un filtro en el portafiltro.
2. Coloque la cantidad deseada de café molido en el filtro y agite suavemente el filtro para nivelar el café.
3. Inserte el portafiltro en los rieles.
4. Ponga el interruptor izquierdo en la posición “LOWER WARMER” para encender la placa calentadora inferior. Ponga el interruptor derecho en la posición “UPPER WARMER” para encender la placa calentadora superior.
5. Coloque una jarra vacía debajo del portafiltro.
6. Después de que la luz de listo verde “READY” se encienda, oprima el botón BREW para iniciar el ciclo de preparación.
7. El agua caliente saldrá del cabezal de pulverización y mojará el café en el portafiltro. El café preparado se escurrirá en la jarra.
8. Cuando la jarra esté lista, tire los posos de café y el filtro.
9. APAGUE LAS PLACAS CALENTADORAS CUANDO NO ESTOÉN EN USO.

GRIFO DE AGUA CALIENTE (MODELOS WCM50P/WCM60PT/WCM70PAP SOLAMENTE)

- 1) El grifo de agua caliente se puede usar para servir una taza de agua caliente en cualquier momento. No está destinado a llenar jarras, jarros, etc. Si intenta servir más de 8 a 10 onzas (235 a 295 ml) de agua a la vez, el agua estará fría. **NOTA:** Para poder usar el grifo de agua caliente, el aparato debe estar conectado al agua corriente. El grifo no funcionará si el aparato está en modo de llenado manual.

PUESTA EN SERVICIO INICIAL (LLENADO MANUAL)

NOTA: Los modelos WCM50P y WCM60PT están preajustados de fábrica en “AUTOMATIC” (modo de llenado manual). **ADVERTENCIA:** Nunca llene el depósito manualmente si la cafetera está en modo de llenado automático. Para utilizar el aparato en modo de llenado manual, el modo de llenado debe cambiarse abriendo el panel de acceso posterior.

CÓMO CAMBIAR EL MODO DE LLENADO A MANUAL

1. Abra el panel de acceso situado en la parte trasera de la unidad.
2. Ubique el interruptor AUTOMATIC/MANUAL.
3. Ponga el interruptor en “MANUAL” para activar el modo de llenado manual.
4. El aparato está ahora configurado para el llenado manual. Cierre el panel de acceso trasero.

PRECAUCIÓN Salvo indicación contraria en las instrucciones, la cafetera debe estar desconectada de la fuente de alimentación durante la configuración inicial. **El depósito debe llenarse manualmente antes de iniciar el ciclo de preparación.**

1. Compruebe que el interruptor principal, situado en la parte trasera de la unidad, está en “OFF”.
2. Inserte el portafiltro vacío en los rieles.
3. Coloque una jarra vacía debajo del portafiltro.
4. Vierta lentamente 192 onzas (5.7 L) de agua en el depósito de agua.
5. Deténgase justo antes de que el agua se desborde del depósito. Siempre coloque una jarra vacía debajo del portafiltro.
6. Enchufe el cable en una toma de corriente. Una vez enchufado el cable, ponga el interruptor principal, situado en la parte trasera de la unidad, en “ON”. **NOTA:** La luz de encendido roja “POWER” se encenderá. Es normal que un poco de líquido salga del portafiltro mientras el agua se calienta.
7. Coloque una jarra vacía debajo del portafiltro.
8. Deje que el agua se caliente hasta que alcance la temperatura máxima. Cuando esté lista, la luz de listo verde “READY” se iluminará.

PREPARACIÓN DEL CAFÉ (LLENADO MANUAL)

1. Coloque un filtro de en el portafiltro.
2. Coloque la cantidad deseada de café molido en el filtro y agite suavemente el filtro para nivelar el café.
3. Deslice el portafiltro en los rieles.
4. Coloque una jarra vacía debajo del portafiltro.
5. Vierta 64 onzas (1.9 L) de agua de la llave en el depósito de agua. Permita que el agua se caliente por 1 a 2 minutos. **NOTA:** Cuando el agua alcance la temperatura adecuada, la luz de listo verde “READY” se encenderá.
6. Oprima el botón BREW para iniciar el ciclo de preparación.
7. El agua caliente saldrá del cabezal de pulverización y mojará el café en el portafiltro. El café preparado se escurrirá en la jarra.
8. Cuando la jarra esté lista, tire los posos de café y el filtro.
9. APAGUE LAS PLACAS CALENTADORAS CUANDO NO ESTOÉN EN USO.

CÓMO AJUSTAR EL VOLUMEN DE CAFÉ (MODELO WCM70PAP SOLAMENTE)

Compruebe la capacidad del dispensador térmico usado. Una vez confirmado el volumen, cambie el volumen de café en consecuencia si desea. Para ajustar el volumen de café, abra el panel de acceso trasero. Ponga la perilla OZ en la posición deseada. **NOTA:** El modelo WCM70PAP está preajustado de fábrica a “85 oz” (2.5 L).

CÓMO AJUSTAR EL VOLUMEN DE CAFÉ

Puede ser necesario ajustar el volumen de café durante la preparación según el volumen de café en la jarra o el dispensador térmico. Para esto, use el selector OZ situado detrás del panel de acceso trasero. El ajuste de fábrica es “0”. Para aumentar el volumen, gire la perilla en el sentido horario. Para disminuir el volumen, gire la perilla en el sentido antihorario. También puede ajustar el volumen entre los ciclos de preparación y usar el segundo ciclo de preparación para confirmar el nivel.

CÓMO AJUSTAR LA TEMPERATURA

1. Para ajustar la temperatura, desenchufe la unidad.
2. Abra el panel de acceso trasero.

3. Ubique la perilla de ajuste de temperatura, marcada “TEMP”. Gire la perilla en sentido horario para disminuir la temperatura, y en sentido antihorario para incrementarla.
NOTA: Los modelos WCM50P/WCM60PT/WCM70PAP están preajustados de fábrica a “202°F” (94 °C).
4. Consulte el panel de acceso posterior para una lista de temperaturas recomendadas.
5. Consulte la tabla a continuación para determinar la temperatura de preparación adecuada en función de la altitud.
6. Después de ajustar la temperatura, cierre el panel de acceso trasero.

Pies	Metros	Temperatura recomendada (°F)	Punto de ebullición (°C)	Temperatura recomendada (°C)	Punto de ebullición (°C)
0	0	202	212	96	100
500	152	202	211	96	99.5
1000	305	200	210	93	98.9
2000	610	200	208	93	97.8
2500	762	200	207	93	97.3
3000	914	200	206	93	96.8
3500	1067	195	205	92	96.3
4000	1219	195	204	91	95.7
4500	1372	195	203	90	95.2
5000	1524	195	202	90	94.7
5500	1676	190	201	89	94.2
6000	1829	190	201	89	93.6
6500	1981	190	199	88	93.1
7000	2134	190	198	87	92.6
7500	2286	190	198	86	92.1
8000	2438	185	197	86	91.6
8500	2591	185	196	85	91.1

LIMPIEZA Y MANTENIMIENTO

SIEMPRE DESENCHUFE LA UNIDAD ANTES DE LIMPIARLO.

Permita que el aparato se enfríe completamente antes de manipularlo o limpiarlo.

1. Limpie la carcasa con un paño humedecido con cualquier detergente suave y no abrasivo.
 - a. NO use productos de limpieza susceptibles de generar riesgos para usted, las personas alrededor de usted o el medio ambiente.
 - b. NO lave a chorro el aparato ni ninguna de sus piezas, ni los sumerja.
 - c. NUNCA use lana de acero u otros materiales abrasivos para limpiar el aparato.

NOTA: Cualquier agente desinfectante usado en piezas que tengan contacto con el agua debe cumplir con el Código de Regulaciones Federales “Título 21, Sección 178.1010” de la FDA (Administración de Alimentos y Medicamentos de los EE.UU.). Desinfecte regularmente todas las piezas en contacto con el agua, después de lavarlas/limpiarlas. La frecuencia de limpieza y desinfección debe cumplir con los reglamentos estatales y locales del departamento de salud.

NOTA: No use productos de limpieza, lejía, polvos abrasivos ni ninguna otra sustancia que contengan cloro; estos productos promueven la corrosión y pueden picar el acero inoxidable. USAR ESTOS PRODUCTOS INVALIDARÁ LA GARANTÍA

2. Chequee y limpie el cabezal de pulverización situado debajo del panel delantero. Los orificios del cabezal de pulverización deben estar libres de obstrucciones.
3. Para retirar el cabezal de pulverización, siga las instrucciones a continuación.
4. Si el portafiltro está en su puesto, retírelo para poder acceder al cabezal de pulverización.
5. Después de sacar el portafiltro, alcance debajo de la cámara de preparación y agarre el cabezal de pulverización con una mano.
NOTA: Antes de hacer esto, compruebe que la unidad está completamente fría.
6. Jale el cabezal de pulverización suave pero firmemente hacia abajo para quitarlo.
7. Limpie el interior del cabezal de pulverización y el área alrededor del mismo con un paño o una esponja humedecidos con agua.

8. Lave el cabezal de pulverización en el fregadero, usando agua tibia y un detergente suave. De ser necesario, use un cepillo de cerdas para limpiar los orificios de pulverización obstruidos. Enjuague el disco de pulverización con agua limpia y permita que se seque al aire.
9. Cuando esté seco, vuelva a instalar el cabezal de vaporización debajo de la cámara de preparación.
10. Es aconsejable limpiar el cabezal de pulverización al final de cada semana.
11. Lave el portafiltro en el fregadero, usando agua tibia y un detergente suave. De ser necesario, use un cepillo de cerdas para limpiar el interior. Enjuague con agua limpia y permita que se seque al aire.

NOTA: En las zonas de agua dura, puede que sea necesario hacer esto con más frecuencia. La limpieza es rápida y ayuda a evitar los problemas de acumulación de cal.

RESOLUCIÓN DE PROBLEMAS

A continuación, se proporciona una lista de causas probables y soluciones posibles para solucionar los problemas más comunes. Si el problema persiste después de agotar los pasos a continuación, póngase en contacto con el Departamento de Servicio Técnico de Waring.

- La inspección y reparación de este equipo debe ser realizada solo por personal de servicio calificado.
- Se recomienda usar dos llaves para apretar/aflojar los conectores de las tuberías; esto evitará torcer/doblar las tuberías.
- Compruebe que todas las conexiones eléctricas y de plomería están bien apretadas y aisladas.
- Este aparato se calienta en todo momento; manténgalo alejado de los combustibles.

ADVERTENCIA

- Tenga mucho cuidado al hacer el mantenimiento.
- Siempre desenchufe la unidad durante el mantenimiento.

Problema	Causa probable	Solución
El ciclo de preparación no empieza	<ol style="list-style-type: none"> 1. No ha presionado el botón BREW 2. El aparato no se enciende 3. NO hay agua en el depósito 	<ol style="list-style-type: none"> (1.) Presione el botón BREW (2.A) Ponga el interruptor principal en "ON". (2.B) Compruebe que el cable está correctamente enchufado en la toma de corriente. (2.C) Revise los disyuntores o los fusibles. (3.A) Compruebe que la línea de agua está abierta. (3.B) Compruebe que el filtro de agua no está obstruido.
Volumen de café inconsistente	<ol style="list-style-type: none"> 1. Acumulación de cal 2. Fluctuación en la presión de agua 	<ol style="list-style-type: none"> (1.) Limpie el cabezal de pulverización. (2.) Haga instalar un regular de presión.
Rocío de agua o vapor excesivo	Acumulación de cal	(1.) Limpie el cabezal de pulverización
Café aguado	<ol style="list-style-type: none"> 1. Filtro 2. Moliendo 3. Cabezal de pulverización 4. Llenado del portafiltro 	<ol style="list-style-type: none"> (1.) Cerciórese de usar los filtros de café adecuados. (2.) Use una molienda fina o para cafetera de filtro. (3.) Cerciórese de que el cabezal de pulverización está limpio. (4.) Asegúrese de centrar el filtro en el portafiltro y nivelar el café molido agitando suavemente el portafiltro.
Queda café molido seco en el portafiltro	<ol style="list-style-type: none"> 1. Llenado del portafiltro 2. Cabezal de pulverización 	<ol style="list-style-type: none"> (1.) Asegúrese de centrar el filtro en el portafiltro y nivelar el café molido agitando suavemente el portafiltro. (2.) Cerciórese de que el cabezal de pulverización está limpio.

GARANTÍA LIMITADA DE 2 AÑOS EN LOS MATERIALES Y DE 1 AÑO EN LA MANO DE OBRA (VÁLIDA EN LOS EE. UU. Y EN CANADÁ SOLAMENTE)

Waring garantiza toda nueva cafetera comercial de llenado automático/manual Waring Commercial™ contra todo defecto de materiales o fabricación por un período de un año (en los materiales), y de dos años (en la fabricación) a partir de la fecha de compra, siempre que haya sido usada con alimentos, líquidos no abrasivos (a excepción de detergentes) y semilíquidos no abrasivos, y que no haya sido sujeta a cargas que excedan su máxima capacidad.

La garantía rige a partir de la fecha de instalación. Waring garantiza que este equipo, fabricado por nosotros, estará comercialmente libre de defectos de material y mano de obra existentes en el momento de la fabricación y dentro del período de garantía aplicable. Esta garantía no se aplica a ningún equipo, componente o pieza que no existiera en el momento de la compra o que, a juicio de Waring, se haya visto afectado por un mal uso, negligencia, alteración, instalación u operación inadecuada, mantenimiento o reparación inadecuados, limpieza y descalcificación no periódica, fallos del equipo relacionados con la mala calidad del agua, daños o siniestros, incluidos, entre otros, el exceso de cal y cloro. Además, la garantía no se aplica a la sustitución de piezas sujetas a un desgaste normal, incluidas, entre otras, las piezas sustituibles por el usuario, tales como sellos y juntas.

Bajo esta garantía, Waring reparará o reemplazará toda pieza que, tras estar inspeccionada por nuestro servicio posventa, demuestre defectos de fabricación o fallas de materiales, siempre que el producto se devuelva a un centro de servicio autorizado o se entregue con franqueo pagado a: 314 Ella T. Grasso Ave., Torrington, CT 06790.

TABLE DES MATIÈRES

Importantes consignes de sécurité	35
Introduction	37
Pièces et contrôles.....	39
Déballage et installation.....	42
Raccordement à l'eau/électrique	42
Mise en service initiale (remplissage automatique)	43
Préparation du café (remplissage automatique)	44
Mise en service initiale (remplissage manuel).....	45
Changement du mode de remplissage à manuel.....	45
Préparation du café (remplissage manuel)	46
Réglage de la température.....	47
Nettoyage et entretien.....	48
Résolution de problèmes	49
Garantie.....	51

IMPORTANTES CONSIGNES DE SÉCURITÉ

L'utilisation d'appareils électriques, notamment en présence d'enfants, requiert la prise de précautions élémentaires, parmi lesquelles les suivantes :

1. **LIRE TOUTES LES INSTRUCTIONS.**
2. Toujours débrancher l'appareil avant toute manipulation et avant le nettoyage.
3. Ne pas toucher les surfaces chaudes ; utiliser les poignées ou les boutons.
4. Ne pas déplacer l'appareil alors qu'il contient de l'eau chaude ; le vider complètement et attendre que la surface externe ait refroidi avant de le déplacer.
5. Cet appareil ne devrait pas être utilisé par des enfants ou des personnes atteintes de certains handicaps physiques, mentaux ou sensoriels, ou qui ne disposent pas des connaissances ou de l'expérience nécessaires, à moins qu'une personne responsable de leur sécurité leur en ait expliqué le fonctionnement ou les encadre.
6. Afin de réduire le risque d'incendie, de choc électrique ou de blessures, ne pas plonger le cordon, la fiche ou le socle dans l'eau ou tout autre liquide.

7. Il convient d'exercer une surveillance étroite lorsque l'appareil est utilisé par ou près d'enfants.
8. Ne pas utiliser l'appareil si le cordon d'alimentation ou la fiche sont endommagés, s'il ne fonctionne pas correctement, s'il est abîmé ou après qu'il est tombé ; le renvoyer à un service après-vente autorisé afin qu'il soit inspecté, réparé ou réglé au besoin.
9. L'utilisation d'accessoires non recommandés par Waring peut entraîner des risques pour l'utilisateur.
10. Cet appareil n'est pas destiné à être utilisé à l'extérieur.
11. Ne pas laisser le cordon pendre d'une table ou d'un plan de travail, ni entrer en contact avec des surfaces chaudes.
12. Ne pas mettre l'appareil sur ou à proximité d'une plaque à gaz ou électrique, ni dans un four chaud.
13. Ne pas utiliser cet appareil à des fins autres que celles pour lesquelles il a été conçu.
14. Ne pas enlever le couvercle pendant le remplissage ou le chauffage ; cela peut provoquer des brûlures graves.
15. Cet appareil est doté d'un cordon avec une fiche de mise à la terre ; cette fiche doit être branchée dans une prise de terre correctement configurée.
16. Afin de réduire risque de choc électrique, ne pas retirer ou ouvrir le boîtier. Cet appareil ne contient aucune pièce pouvant être réparée/remplacée par l'utilisateur. Toute réparation doit être effectuée par un technicien autorisé.
17. Ne pas laver l'appareil au jet/à pression, et ne pas l'utiliser dans un endroit où un jet pourrait être utilisé.
18. Pour réduire les risques d'explosion ou d'incendie, ne pas utiliser à proximité de combustibles.
19. Ne pas utiliser l'appareil avec une rallonge.
20. Toujours positionner l'appareil verticalement, sur une surface stable, pour assurer un fonctionnement adéquat et sans danger.
21. Pour réduire le risque de brûlures graves ou d'échaudage, ne pas mettre la main ni aucune autre partie du corps sous le distributeur ou le robinet pendant que l'eau chauffe.
22. Toujours débrancher l'appareil avant toute opération d'entretien.
23. Les surfaces de l'appareils deviennent très chaudes et peuvent causer des brûlures.

CONSERVER CES INSTRUCTIONS

POUR USAGE COMMERCIAL UNIQUEMENT

INTRODUCTION

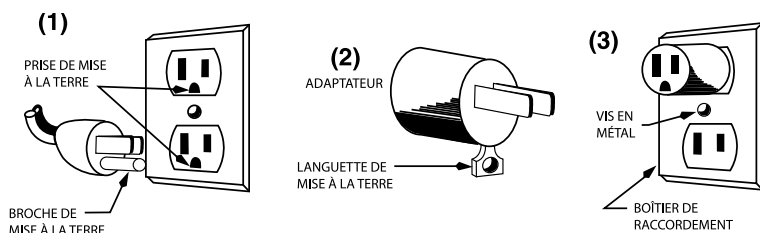
Merci d'avoir acheté la cafetière commerciale Waring™ Commercial.

Caractéristiques

- Conception industrielle de haute qualité
- Boîtier en acier inoxydable
- Barres de protection autour de la plaque chauffante supérieure (WCM50P, WCM60PT)
- Plaques chauffantes contrôlées séparément pour maintenir deux carafes de café à la température de service idéale (WCM50P)
- Éléments chauffants autorégulés pour éviter la surchauffe (WCM50P)
- Voyants d'alimentation et de préchauffage
- Remplissage manuel ou automatique (WCM50P, WCM60PT)
- Robinet d'eau chaude
- Étroit, pour économiser de la place sur le comptoir !
- Le modèle WCM70PAP est conçu pour les grandes cafetières thermos de jusqu'à 3 L.

INSTRUCTIONS DE MISE À LA TERRE

Pour votre protection, cet appareil est équipé d'une fiche à trois broches. Cette fiche doit être branchée dans une prise de terre correctement configurée (Fig. 1). Vous pouvez utiliser un adaptateur temporaire (Fig. 2) pour brancher l'appareil dans une prise polarisée jusqu'à ce que vous fassiez installer une prise de terre par un électricien. Afin d'assurer la mise à la terre, la languette de l'adaptateur doit être fixée au boîtier par une vis en métal (Fig. 3).



MISE EN GARDE : Vérifier que le boîtier de la prise de courant est mis à la terre avant d'utiliser l'adaptateur. En cas de doute, demander conseil à un électricien. Ne jamais utiliser un adaptateur, à moins qu'il ne soit correctement mis à la terre.

REMARQUE : L'utilisation d'un adaptateur comme celui mentionné ci-dessus est interdite au Canada.

UTILISATION DE RALLONGES

Pour des raisons de sécurité, cet appareil est équipé d'un cordon d'alimentation court.

Si vous devez utiliser une rallonge électrique ou un cordon amovible plus long, veillez à ce que les spécifications électriques de la rallonge ou du cordon soient au moins égales à celles de l'appareil, ne les laissez pas pendre au bord d'une table ou d'un plan de travail et veillez à ce qu'ils soient placés de telle manière qu'un enfant ou un animal ne puisse pas trébucher dessus ou les tirer.



Le symbole composé d'une flèche en forme d'éclair à l'intérieur d'un triangle équilatéral, a pour objet d'alerter l'utilisateur de la présence d'une tension dangereuse non-isolée à l'intérieur du boîtier, qui peut être d'une ampleur suffisante pour constituer un risque d'incendie ou de choc électrique.



Le point d'exclamation à l'intérieur d'un triangle équilatéral a pour objet de prévenir l'utilisateur de l'importance des instructions de fonctionnement et de maintenance, jointes à l'appareil.

Modèle	Spécifications électriques	Fiche	Certifications
WCM50P	120 V, 1800 W, 60 Hz	5-15P (i)	TUVus, NSF
WCM50PC	120 V, 1440 W, 60 Hz	5-15P (i)	cTUVus, NSF
WCM60PT	120 V, 1660 W, 60 Hz	5-15P (i)	TUVus, NSF
WCM60PTC	120 V, 1300 W, 60 Hz	5-15P (i)	cTUVus, NSF
WCM70PAP	120 V, 1660 W, 60 Hz	5-15P (i)	TUVus, NSF
WCM70PAPC	120 V, 1300 W, 60 Hz	5-15P (i)	cTUVus, NSF

PIÈCES – WCM50P



1. Plaque chauffante supérieure avec barres de protection
2. Voyants d'alimentation et de préchauffage
3. Bouton BREW (commencer la préparation)
4. Commandes des plaques chauffantes supérieure et inférieure
5. Robinet d'eau chaude
6. Panier-filtre
7. Boîtier en acier inoxydable
8. Plaque chauffante inférieure
9. Pieds antidérapants en caoutchouc à hauteur réglable
10. Cordon d'alimentation (non illustré)
11. Ouverture de remplissage du réservoir d'eau (pour le remplissage manuel)
12. Panneau d'accès arrière (non illustré)

CONTRÔLES – WCM50P



Voyant d'alimentation

– Indique que l'appareil est branché



Voyant de préchauffage

– S'allume lorsque l'eau est chaude



Bouton BREW

– Initie le cycle de préparation



Interrupteur LOWER WARMER

– Allume/Éteint la plaque chauffante inférieure



Interrupteur UPPER WARMER

– Allume/Éteint la plaque chauffante supérieure



Robinet d'eau chaude

– Sert de l'eau chaude à la demande



PIÈCES – WCM60PT



1. Barres de sécurité
2. Voyants d'alimentation et de préchauffage
3. Bouton BREW (commencer la préparation)
4. Robinet d'eau chaude
5. Panier-filtre
6. Boîtier en acier inoxydable
7. Pieds antidérapants en caoutchouc ; réglable pour la mise à niveau de la cafetière
8. Cordon d'alimentation (non illustré)
9. Ouverture de remplissage du réservoir d'eau (pour le remplissage manuel)
10. Panneau d'accès arrière (non illustré)
11. Butoirs en caoutchouc

CONTRÔLES – WCM60PT



Voyant d'alimentation
– Indique que l'appareil est branché et prêt à l'emploi



Voyant de préchauffage
– S'allume lorsque l'eau est chaude



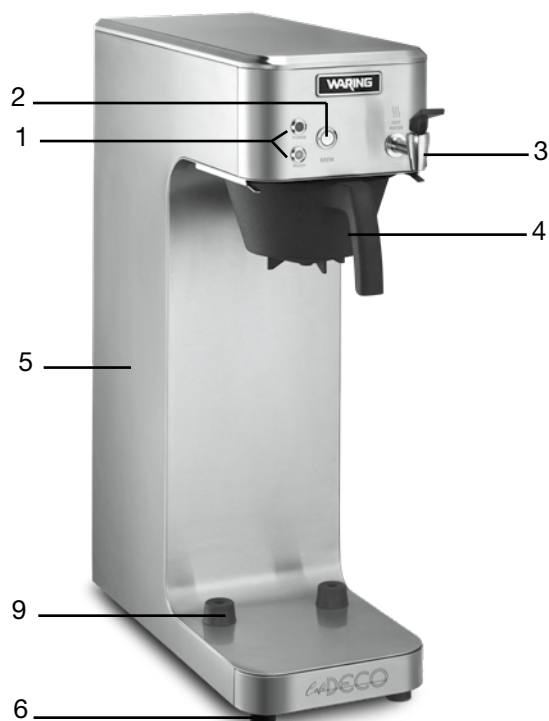
Bouton BREW
– Initie le cycle de préparation



Robinet d'eau chaude
– Sert de l'eau chaude à la demande



PIÈCES – WCM70PAP



1. Voyants d'alimentation et de préchauffage
2. Bouton BREW (commencer la préparation)
3. Robinet d'eau chaude
4. Panier-filtre
5. Boîtier en acier inoxydable
6. Pieds antidérapants en caoutchouc à hauteur réglables
7. Cordon d'alimentation (non illustré)
8. Panneau d'accès arrière (non illustré)
9. Butoirs en caoutchouc

CONTRÔLES – WCM70PAP



Voyant d'alimentation

– Indique que l'appareil est branché et prêt à l'emploi



Voyant de préchauffage

– S'allume lorsque l'eau est chaude



Bouton BREW

– Initie le cycle de préparation



Robinet d'eau chaude

– Sert de l'eau chaude à la demande



DÉBALLAGE ET INSTALLATION

MISE EN GARDE : cet appareil est lourd ; il est conseillé de le déplacer ou de le soulever à deux pour éviter les blessures. Déballez soigneusement l'appareil et s'assurer qu'il n'a pas été endommagé pendant le transport. En cas de problème, contacter notre service à la clientèle.

REMARQUE : Il incombe à l'installateur de l'appareil de s'assurer que les branchements électriques et le raccordement à l'eau sont conformes aux exigences du code national d'électricité, du code national de plomberie et de toute ordonnance locale.

RACCORDEMENT À L'EAU

REMARQUE : Cet appareil doit être installé conformément aux codes de plomberie nationaux, régionaux ou locaux en vigueur. Il requiert une protection anti-retour, telle qu'un double clapet anti-retour, entre l'appareil et la conduite d'arrivée d'eau. La pression à l'arrivée doit être comprise entre 30 psi et 70 psi.

REMARQUE : Raccorder l'appareil à une source d'eau chaude réduit le temps de chauffage et de récupération.

1. La cafetière est équipée d'un raccord d'entrée évasé de type NH (filetage tuyau d'arrosage) de ¾ po. (19 mm), situé à l'arrière de l'appareil. Un raccord adaptateur à compression pour conduite d'eau de ¼ po. (6 mm) (diamètre extérieur) est également fourni au besoin.
2. Prévoir un robinet d'arrêt et un raccord sur le conduit d'arrivée d'eau près de la cafetière.
3. La pression à l'arrivée doit être comprise entre 30 psi et 70 psi.
4. Ouvrir l'arrivée d'eau et vérifier qu'il n'y a pas de fuites.

REMARQUE : Il est conseillé d'utiliser un système de filtration pour éliminer les odeurs et éviter l'accumulation de calcaire et de tartre dans le réservoir.

REMARQUE : Dans les endroits où l'eau est extrêmement dure, il faudra installer un adoucisseur d'eau afin de prévenir les dépôts minéraux pouvant nuire au bon fonctionnement de l'appareil.

RACCORDEMENT ÉLECTRIQUE

REMARQUE : Cet appareil doit être installé conformément aux codes nationaux, régionaux et locaux en vigueur. Ne pas utiliser l'appareil avec une rallonge. S'assurer que la prise de courant est correctement mise à la terre.

1. Vérifier les spécifications électriques de l'appareil, indiquées sur sa plaque signalétique, et s'assurer que la ligne électrique utilisée est conforme à tension, la phase et l'ampérage requis. Veiller à utiliser le cordon et la prise adéquats.
2. Les modèles de 120 V, destinés au marché nord-américain, sont munis d'une fiche de mise à la terre de 120 V/15 A.

RÉGLAGES PAR DÉFAUT

WCM50P

- Température – 200 °F (93 °C)
- Mode de remplissage : Automatique (raccordement à l'eau courante)
- Capacité : 64 onces (1,9 L)

WCM60PT

- Température – 200 °F (93 °C)
- Remplissage : Automatique (raccordement à l'eau courante)
- Capacité : 64 onces (1,9 L)

WCM70PAP

- Température – 200 °F (93 °C)
- Capacité : 85 oz (2,5 L)

MISE EN SERVICE INITIALE (REMPLISSAGE AUTOMATIQUE)

MISE EN GARDE : Sauf indication contraire dans les instructions, la cafetière doit être débranchée de la prise de courant lors de la mise en service initiale.

1. Vérifier que l'interrupteur principal, situé à l'arrière de l'appareil, est sur "OFF" (éteint).
2. Raccorder la conduite d'eau au raccord d'entrée d'eau situé à l'arrière de l'appareil. Ne pas brancher l'appareil.

REMARQUE : Les modèles WCM50P/WCM60PT sont pré-réglés en usine sur "AUTOMATIC" (remplissage automatique).

3. Insérer un panier-filtre vide dans les rails.
4. Placer une carafe vide sous le panier-filtre.
5. Brancher le cordon d'alimentation dans une prise de courant.

Une fois branché, mettre l'interrupteur, situé à l'arrière de l'appareil, sur "ON" (marche).

REMARQUE : Le voyant de mise sous tension rouge "POWER" s'allumera. Il est normal que du liquide s'écoule légèrement du panier-filtre pendant que l'eau chauffe.

6. Une fois la cafetière allumée, le réservoir d'eau se remplira automatiquement.
7. Une fois que l'eau aura atteint la température voulue, le voyant de préchauffage vert "READY" s'allumera.
8. Une fois que le voyant de préchauffage vert "READY" s'allume, l'appareil est prêt.

PRÉPARATION DU CAFÉ (REPLISSAGE AUTOMATIQUE)

1. Mettre un filtre dans le panier-filtre.
2. Ajouter la quantité désirée de café moulu dans le filtre et agiter doucement le filtre pour niveler le café.
3. Insérer le panier-filtre dans les rails.
4. Mettre l'interrupteur de gauche sur "LOWER WARMER" pour allumer la plaque chauffante inférieure, Mettre l'interrupteur de droite sur "UPPER WARMER" pour allumer la plaque chauffante supérieure.
5. Placer une carafe vide sous le panier-filtre.
6. Une fois que le voyant de préchauffage vert "READY" s'allume, appuyer sur le bouton BREW pour initier le cycle de préparation.
7. L'eau chaude sortira de la tête de pulvérisation et trempera le café dans le panier-filtre. Le café infusé s'écoulera dans la carafe.
8. Une fois que la carafe est pleine, jeter le marc de café et le filtre.
9. ÉTEINDRE LES PLAQUES CHAUFFANTES LORSQUE VOUS NE LES UTILISEZ PAS.

ROBINET D'EAU CHAUDE (MODÈLES WCM50P/WCM60PT/WCM70PAP UNIQUEMENT)

- 1) Le robinet d'eau chaude peut être utilisé pour servir une tasse d'eau chaude à n'importe quel moment. Il n'est pas destiné à remplir des carafes, pichets, etc. Si vous essayez de servir plus de 8 à 10 onces (235 à 295 ml) d'eau à la fois, l'eau sera froide. **REMARQUE :** Pour pouvoir utiliser le robinet d'eau

chaude, l'appareil doit être raccordé à l'eau courante. Le robinet ne fonctionnera pas si l'appareil est en mode de remplissage manuel.

AVANT LA PREMIÈRE UTILISATION (REEMPLISSAGE MANUEL)

REMARQUE : Les modèles WCM50P et WCM60PT sont préréglés en usine sur "AUTOMATIC" (remplissage automatique).

AVERTISSEMENT : Ne jamais remplir le réservoir manuellement si la cafetière est en mode de remplissage automatique. Pour utiliser l'appareil en mode de remplissage manuel, il faudra changer le mode de remplissage en ouvrant le panneau d'accès arrière.

CHANGEMENT DU MODE DE REEMPLISSAGE À MANUEL

1. Ouvrir le panneau d'accès situé à l'arrière de l'appareil.
2. Identifier l'interrupteur AUTOMATIC/MANUAL.
3. Mettre l'interrupteur sur "MANUAL" pour activer le mode de remplissage manuel.
4. L'appareil est maintenant configuré pour le remplissage manuel. Fermer le panneau d'accès arrière.

MISE EN GARDE : Sauf indication contraire dans les instructions, la cafetière doit être débranchée de la prise de courant lors de la mise en service initiale. **Le réservoir doit être rempli manuellement avant d'initier le cycle de préparation.**

1. Vérifier que l'interrupteur principal, situé à l'arrière de l'appareil, est sur "OFF" (éteint).
2. Insérer un panier-filtre vide dans les rails.
3. Placer une carafe vide sous le panier-filtre.
4. Verser lentement 192 onces (5,7 L) d'eau dans le réservoir.
5. Arrêter juste avant que l'eau ne déborde du réservoir. Toujours placer une carafe vide sous le panier-filtre.
6. Brancher le cordon dans une prise de courant. Une fois branché, mettre l'interrupteur, situé à l'arrière de l'appareil, sur "ON" (marche). **REMARQUE :** Le voyant de mise sous tension rouge "POWER" s'allumera. Il est normal que du liquide s'écoule légèrement du panier-filtre pendant que l'eau chauffe.
7. Placer une carafe vide sous le panier-filtre.

8. Laisser l'eau chauffer jusqu'à ce qu'elle atteigne la température maximale. Une fois prêt, le voyant de préchauffage vert "READY" s'allumera.

PRÉPARATION DU CAFÉ (REMPLISSAGE AUTOMATIQUE)

1. Mettre un filtre en dans le panier-filtre.
2. Ajouter la quantité désirée de café moulu dans le filtre et agiter doucement le filtre pour niveler le café.
3. Insérer le panier-filtre vide dans les rails.
4. Placer une carafe vide sous le panier-filtre.
5. Verser 64 oz. (1,9 L) d'eau du robinet dans le réservoir. Laisser chauffer l'eau pendant 1 à 2 minutes. **REMARQUE** : Une fois l'eau à la température adéquate pour la préparation, le voyant vert "READY" s'allumera.
6. Appuyer sur le bouton BREW pour initier le cycle de préparation.
7. L'eau chaude sortira de la tête de pulvérisation et trempera le café dans le panier-filtre. Le café infusé s'écoulera dans la carafe.
8. Une fois que la carafe est pleine, jeter simplement le marc de café et le filtre.
9. **ÉTEINDRE LES PLAQUES CHAUFFANTES LORSQUE VOUS NE LES UTILISEZ PAS.**

RÉGLAGE DU VOLUME DE CAFÉ (MODÈLE WCM70PAP UNIQUEMENT)

Vérifier la capacité de la cafetière thermos utilisée. Une fois le volume confirmé, modifier le volume de café en conséquence si vous le souhaitez. Pour modifier le volume, ouvrir le panneau d'accès arrière. Mettre le sélecteur OZ sur la position voulue. **REMARQUE** : Le modèle WCM70PAP est préréglé en usine sur "85 oz" (2,5 L).

RÉGLAGE DU VOLUME DE CAFÉ

Il se peut qu'il faille régler le volume de café pendant la préparation en fonction du volume de café dans la carafe ou dans la cafetière thermos. Pour cela, utiliser le sélecteur OZ situé derrière le panneau d'accès arrière. Le réglage d'usine par défaut est "0". Pour augmenter le volume, tourner le sélecteur dans le sens des aiguilles

d'une montre. Pour réduire le volume, tourner le sélecteur dans le sens inverse des aiguilles d'une montre. Vous pouvez aussi régler le volume entre deux cycles de préparation, et utiliser le deuxième cycle de préparation pour confirmer le niveau.

RÉGLAGE DE LA TEMPÉRATURE

1. Pour régler la température, débrancher l'appareil.
2. Ouvrir le panneau d'accès arrière.
3. Repérer le bouton de réglage de la température, marqué "TEMP". Tourner le bouton dans le sens des aiguilles d'une montre pour augmenter la température, ou dans le sens inverse des aiguilles d'une montre pour la diminuer.
REMARQUE : Les modèles WCM50P/WCM60PT/WCM70PAP sont préréglés en usine sur "202°F" (94 °C).
4. Consulter le panneau d'accès arrière pour la liste des températures recommandées.
5. Consulter le tableau ci-dessous pour déterminer la température de préparation appropriée en fonction de l'altitude.
6. Une fois la température réglée, refermer le panneau d'accès arrière.

Pieds	Mètres	Température suggérée (°F)	Point d'ébullition (°F)	Température suggérée (°C)	Point d'ébullition (°C)
0	0	202	212	96	100
500	152	202	211	96	99,5
1000	305	200	210	93	98,9
2000	610	200	208	93	97,8
2500	762	200	207	93	97,3
3000	914	200	206	93	96,8
3500	1067	195	205	92	96,3
4000	1219	195	204	91	95,7
4500	1372	195	203	90	95,2
5000	1524	195	202	90	94,7
5500	1676	190	201	89	94,2
6000	1829	190	201	89	93,6
6500	1981	190	199	88	93,1
7000	2134	190	198	87	92,6
7500	2286	190	198	86	92,1
8000	2438	185	197	86	91,6
8500	2591	185	196	85	91,1

NETTOYAGE ET ENTRETIEN

TOUJOURS DÉBRANCHER/DÉCONNECTER L'APPAREIL AVANT DE LE NETTOYER. Laisser l'appareil refroidir complètement avant toute manipulation ou entretien.

1. Nettoyer le boîtier avec un linge humidifié avec n'importe quel détergent doux et non abrasif.
 - a. NE PAS utiliser de produits de nettoyage susceptibles de présenter des risques pour vous, les personnes autour de vous ou l'environnement.
 - b. NE PAS laver l'appareil ni aucune de ses pièces au jet/à pression, ou les submerger.
 - c. NE JAMAIS utiliser de laine d'acier ou autres matériaux abrasifs pour nettoyer l'appareil.

REMARQUE : Tout agent désinfectant utilisé sur les parties ayant contact avec l'eau doit être conforme au code des règlements fédéraux "Titre 21, Article 178.1010" de la FDA (l'agence américaine des produits alimentaires et médicamenteux). Désinfecter régulièrement toutes les parties ayant contact avec l'eau, après les avoir lavées/nettoyées. La fréquence de nettoyage et de désinfection doit être conforme aux règlements des services sanitaires régionaux et locaux.

REMARQUE : Ne pas utiliser de produits de nettoyage, eau de javel, poudres récurantes ou toute autre substance contenant du chlore ; ces produits favorisent la corrosion et peuvent piquer l'acier inoxydable. L'UTILISATION DE CES PRODUITS ANNULERA LA GARANTIE.

2. Inspecter et nettoyer la tête de pulvérisation située sous le panneau avant. Les trous de la tête de pulvérisation doivent être libres de toute obstruction.
3. Pour retirer la tête de pulvérisation, suivre les instructions ci-dessous.
4. Si le panier-filtre est en place, le retirer pour accéder à la tête de pulvérisation.
5. Après avoir retiré le panier-filtre, glisser la main sous la chambre de préparation et saisir la tête de pulvérisation d'une main.

REMARQUE : Avant de faire cela, vérifier que l'appareil est complètement refroidi.

6. Tirer la tête de pulvérisation doucement mais fermement vers le bas pour l'enlever.
7. Nettoyer l'intérieur de la tête de pulvérisation et la zone qui l'entoure avec un linge ou une éponge humidifiée d'eau.
8. Laver la tête de pulvérisation dans l'évier, à l'eau chaude et avec un détergent doux. Si nécessaire, utiliser une brosse à poils doux pour nettoyer les trous de pulvérisation bouchés. Rincer le disque de pulvérisation à l'eau claire et le laisser sécher à l'air libre.
9. Une fois sèche, remonter la tête de pulvérisation sous la chambre de préparation.
10. Il est conseillé de nettoyer la tête de pulvérisation à la fin de chaque semaine.
11. Laver le panier-filtre dans l'évier, à l'eau chaude et avec un détergent doux. Si nécessaire, utiliser une brosse à poils doux pour nettoyer l'intérieur. Rincer à l'eau claire et laisser sécher à l'air libre.

REMARQUE : Dans les zones d'eau dure, il peut être nécessaire de faire cela plus fréquemment. Le nettoyage est rapide et permet d'éviter les problèmes d'accumulation de calcaire.

RÉSOLUTION DE PROBLÈMES

Vous trouverez ci-dessous une liste des causes probables et des solutions possibles aux problèmes les plus courants. Si le problème persiste après avoir suivi les étapes ci-dessous, contacter le Service technique de Waring.

- L'inspection et la réparation de cet appareil ne doivent être effectuées que par un personnel d'entretien qualifié.
- Il est conseillé d'utiliser deux clés pour serrer/desserer les raccords de plomberie ; cela évitera de tordre/couder les tuyaux.
- Vérifier que toutes les connexions électriques et de plomberie sont bien serrées et isolées.
- Cet appareil est chauffé en permanence ; le tenir à l'écart des combustibles.

AVERTISSEMENT

- Faire preuve d'une extrême prudence lors de l'entretien.
- Toujours débrancher l'appareil lors de l'entretien.

Problème	Cause probable	Solution
Le cycle de préparation ne commence pas	<ol style="list-style-type: none"> 1. Vous n'avez pas appuyé sur le bouton BREW. 2. L'appareil ne s'allume pas 3. Il n'y a pas d'eau dans le réservoir 	<ol style="list-style-type: none"> (1.) Appuyer sur le bouton BREW. (2.A) Mettre l'interrupteur principal sur "ON". (2.B) Vérifier que le cordon d'alimentation est bien branché dans la prise. (2.C) Inspecter les disjoncteurs ou les fusibles. (3.A) Vérifier que la conduite d'eau est ouverte. (3.B) Vérifier que le filtre d'eau n'est pas obstrué.
Volume de café inconsistant	<ol style="list-style-type: none"> 1. Accumulation de calcaire 2. Fluctuation de la pression de l'eau 	<ol style="list-style-type: none"> (1.) Nettoyer la tête de pulvérisation. (2.) Faire installer un régulateur de pression.
Crachats d'eau ou vapeur excessive	Accumulation de calcaire	(1.) Nettoyer la tête de pulvérisation
Café léger	<ol style="list-style-type: none"> 1. Filtre 2. Mouture 3. Tête de pulvérisation 4. Remplissage du panier-filtre 	<ol style="list-style-type: none"> (1.) Veiller à utiliser des filtres à café appropriés. (2.) Veiller à utiliser une mouture fine ou pour cafetière à filtre. (3.) Veiller à ce que la tête de pulvérisation soit propre. (4.) Veiller à bien centrer le filtre dans le panier filtre et à niveler le café moulu en agitant doucement le panier-filtre.
Il reste du café moulu sec dans le panier-filtre	<ol style="list-style-type: none"> 1. Remplissage du panier-filtre 2. Tête de pulvérisation 	<ol style="list-style-type: none"> (1.) Veiller à bien centrer le filtre dans le panier filtre et à niveler le café moulu en agitant doucement le panier-filtre. (2.) Veiller à ce que la tête de pulvérisation soit propre.

GARANTIE LIMITÉE DE 2 ANS SUR LES PIÈCES ET DE 1 AN SUR LA MAIN D'ŒUVRE (VALABLE AUX É.-U. ET AU CANADA UNIQUEMENT)

Waring garantit tout nouvelle cafetière commerciale à remplissage automatique/manuel Waring™ Commercial contre tout vice de matière ou de fabrication pendant une période de deux ans (matière) et d'un an (fabrication) suivant sa date d'achat, à condition qu'elle ait été utilisée uniquement avec des produits alimentaires, des liquides non-abrasifs (autres que des détergents) et des semi-liquides non-abrasifs, à condition que l'appareil n'ait pas été soumis à des charges excédant sa capacité maximale.

La garantie est valable à partir de la date d'installation. Waring garantit que cet appareil, fabriqué par nous, sera commercialement exempt de tout défaut de matière et de fabrication existant au moment de la fabrication et apparaissant pendant la période de garantie applicable. Cette garantie ne s'applique pas à tout appareil, composant ou pièce qui n'existait pas au moment de l'achat ou qui, au jugement de Waring, a été affecté par une mauvaise utilisation, une négligence, une altération, une installation ou une opération incorrecte, un entretien ou une réparation inadéquats, un nettoyage et un détartrage non périodiques, des pannes d'équipement liées à une mauvaise qualité de l'eau, des dommages ou des pertes, y compris, mais sans s'y limiter, un excès de calcaire/tartre et de chlore. En outre, cette garantie ne s'applique pas au remplacement des pièces sujettes à une usure normale, y compris, mais sans s'y limiter, les pièces remplaçables par l'utilisateur telles que les joints.

Au titre de cette garantie, Waring réparera ou remplacera toute pièce nous paraissant afficher un vice de matière ou de fabrication. Pour un service au titre de cette garantie, envoyez l'appareil, port payé, à l'adresse suivante ou amenez-le à un centre de réparation agréé : Waring Service Center, 314 Ella T. Grasso Ave., Torrington, CT 06790.

©2020 Waring Commercial
314 Ella T. Grasso Ave.
Torrington, CT 06790

www.waringcommercialproducts.com

Printed in China
Impreso en China
Imprimé en Chine

WCM50P/WCM60PT/WCM70PAP IB
20WC071835

IB-16723A