

# WARING COMMERCIAL®

One Gallon Blender with Timer  
and Spigot Container

## CB15TSF

### Unit Information

15.0 Amps. – 3.75 HP

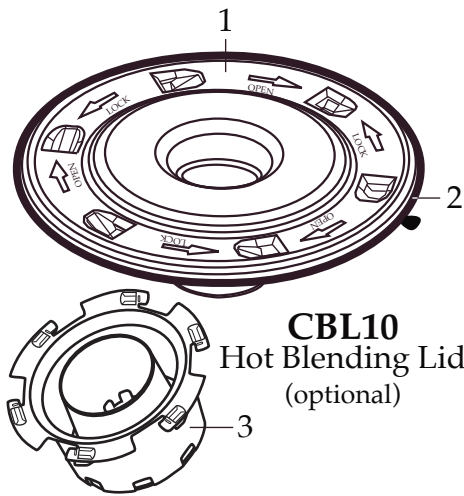
3 Year Limited Motor Warranty

Electronic Membrane Keypad

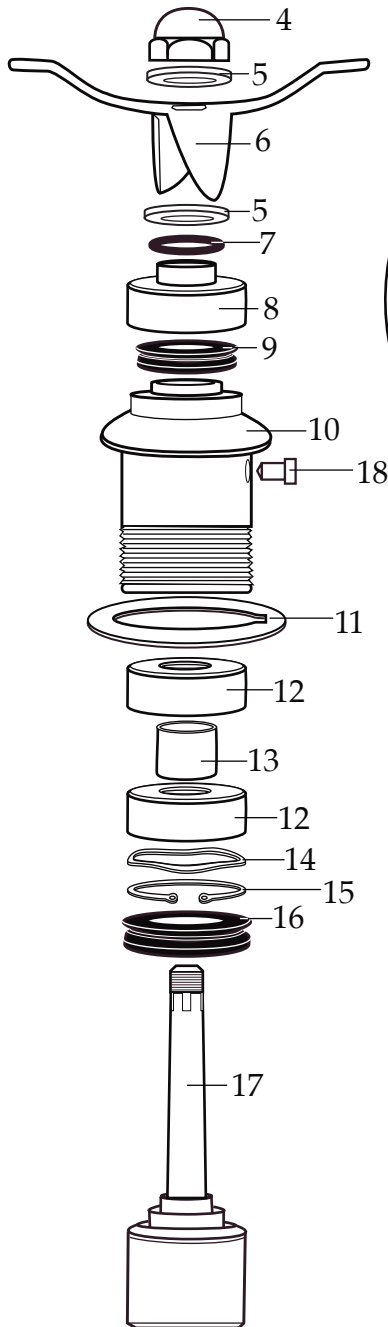
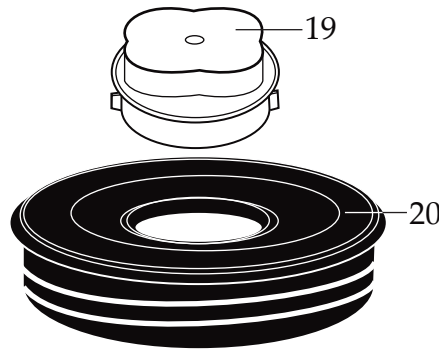
Slow Start™ Blending Mechanism

Timer Adjustable from 10 seconds  
to 3 minutes

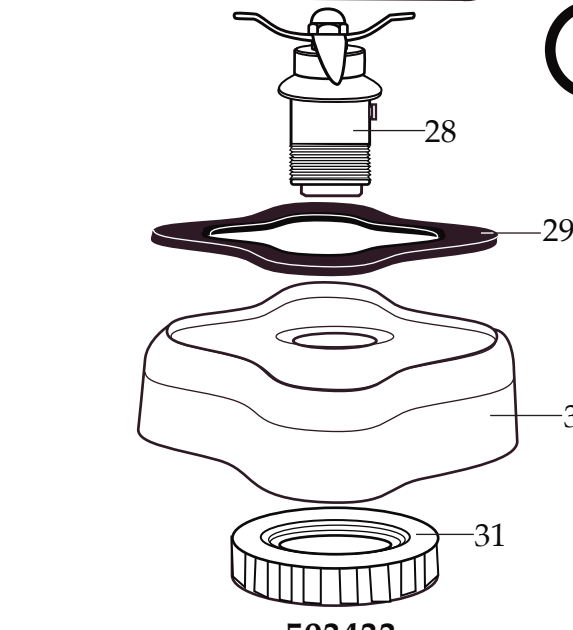
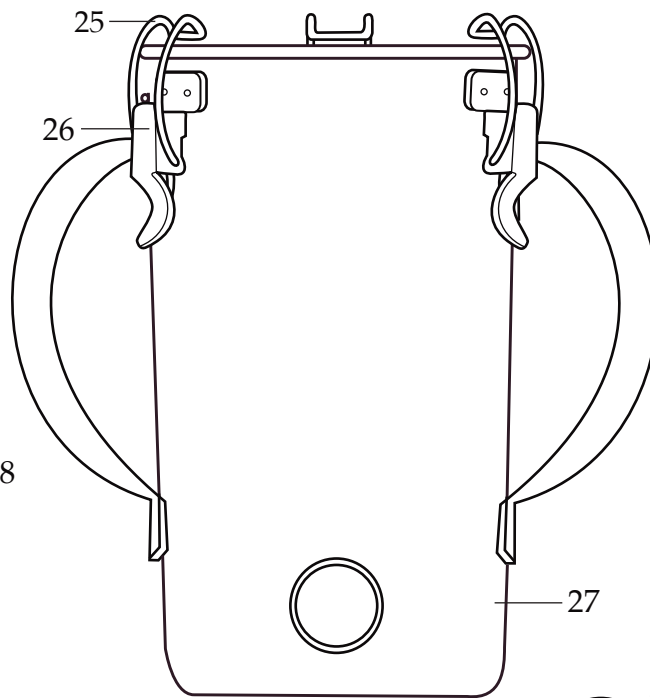
Operating Cycle is 3 Min. ON  
and 1 Min. OFF



**CBL10**  
Hot Blending Lid  
(optional)



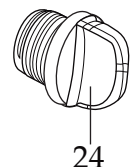
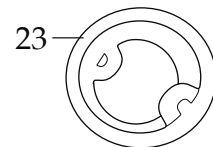
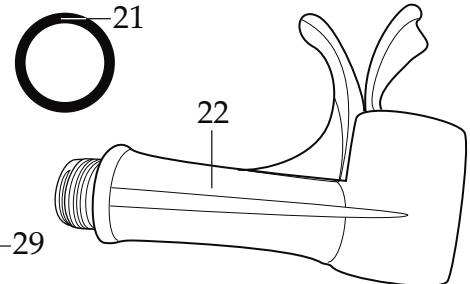
**502977**  
Blending Assembly



**503433**  
Container with Blending Assembly and Spigot

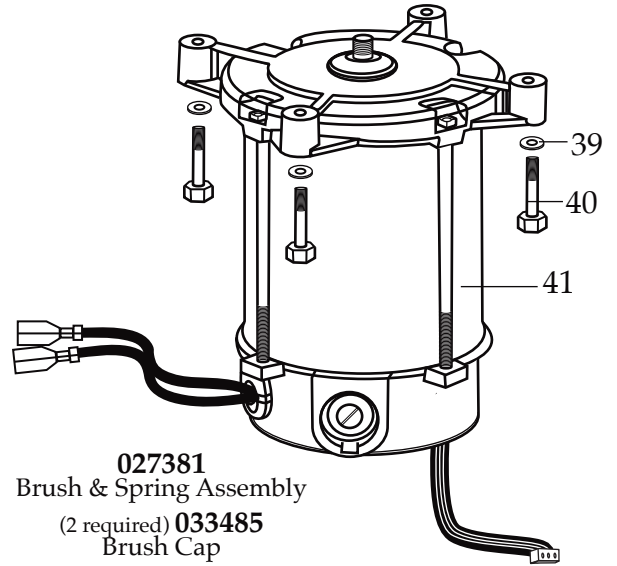
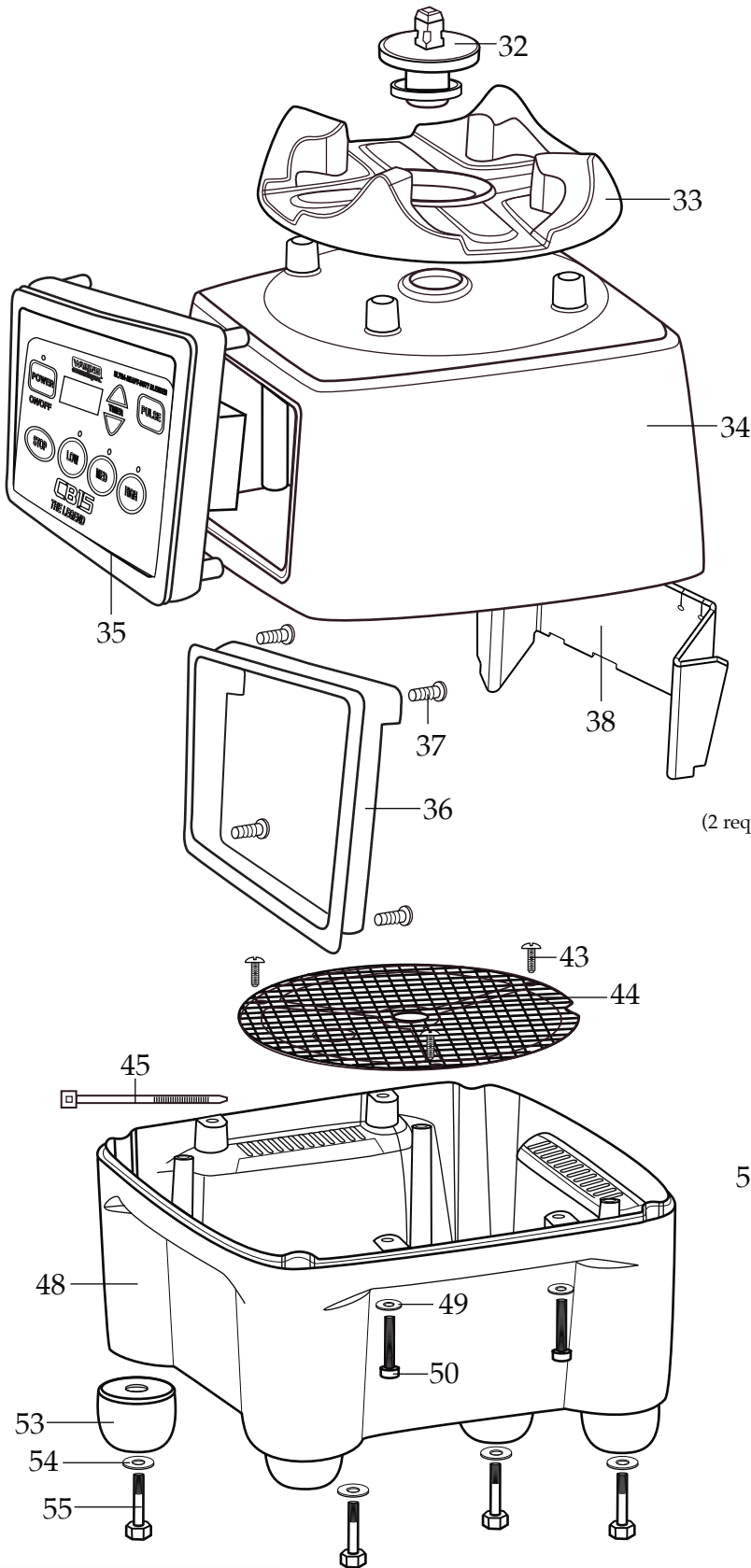


**013304**  
NSF Seal

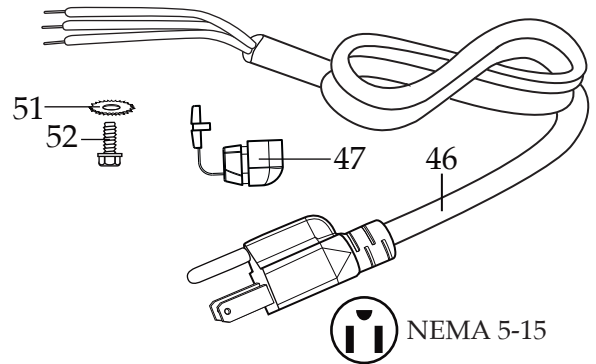
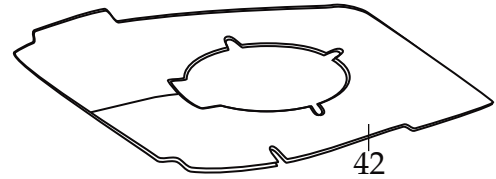


# WARING COMMERCIAL®

## Base Unit Components CB15TSF



**027381**  
Brush & Spring Assembly  
(2 required) **033485**  
Brush Cap  
(2 required) **Used with 035520 Motors**

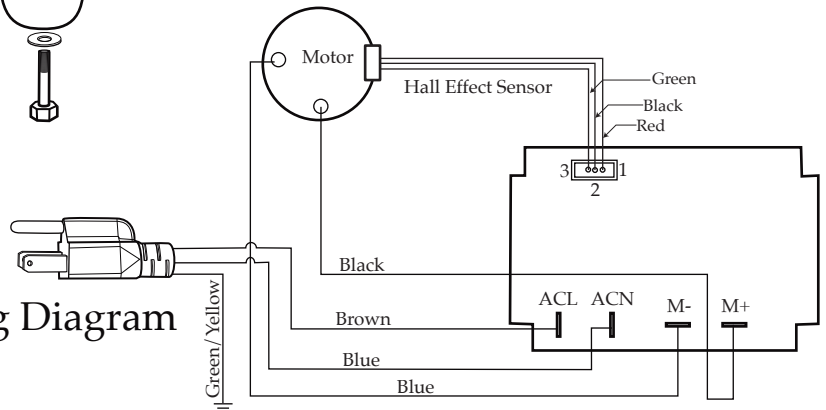


 NEMA 5-15



Date Code Location  
YY|MM|DD  
year year | month month | day day

### Wiring Diagram

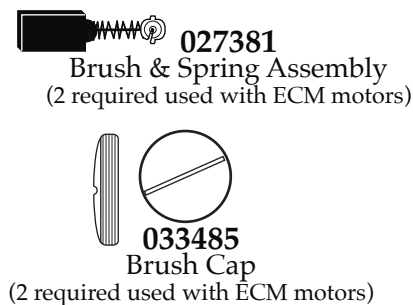
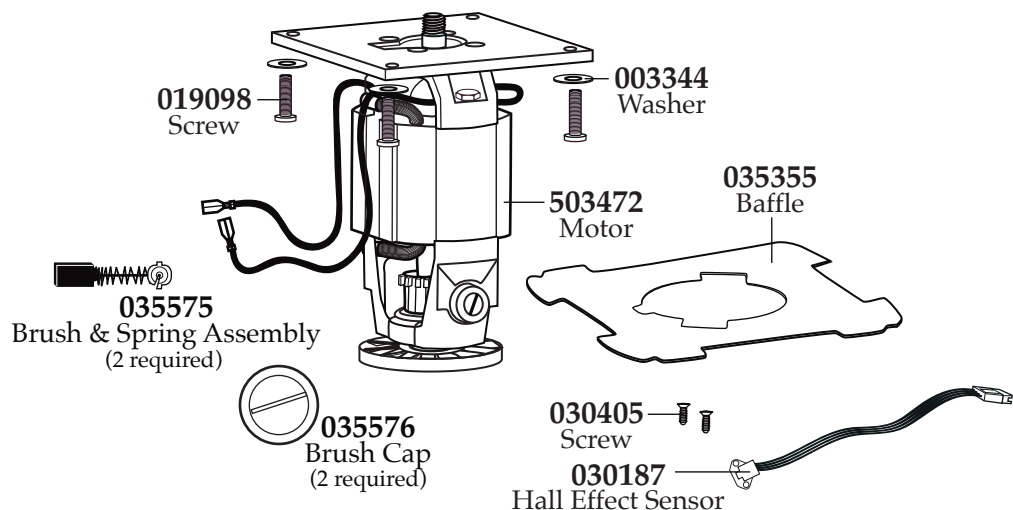


<b>Illustration#</b>	<b>Part#</b>	<b>Description</b>
1	024000	Hot Blending Outer Polycarbonate Lid
2	026496	Gasket
3	023998	Hot Blending Lid Baffle Cup
4	002972	Cap Nut
5	027581	Washer (2 required)
6	027683	Blade
7	018389	"O" Ring
8	027582	Bearing Cap
9	018390	Small "V" Ring
10	023934	Bearing Holder
11	004946	Washer
12	018386	Bearing (2 required)
13	023926	Spacer
14	023907	Spring Washer
15	023927	Retaining Ring
16	023906	Large "V" Ring
17	023933	Drive Shaft
18	025817	Key
19	028530	Cover Insert
20	028226	Vinyl Outer Lid
21	034026	"O" Ring
22	033965	Spigot Assembly
23	034320	Spigot Rubber Insert
24	034016	Spigot Plug
25	008791	Latch Wire (3 required)
26	502773	Bracket Assembly (spot welded to container 3 required)
27	023909	Double Handle Container
28	502977	Blending Assembly (complete)
29	004949	Container Base Gasket
30	025571	Container Support
31	012008	Lock Nut

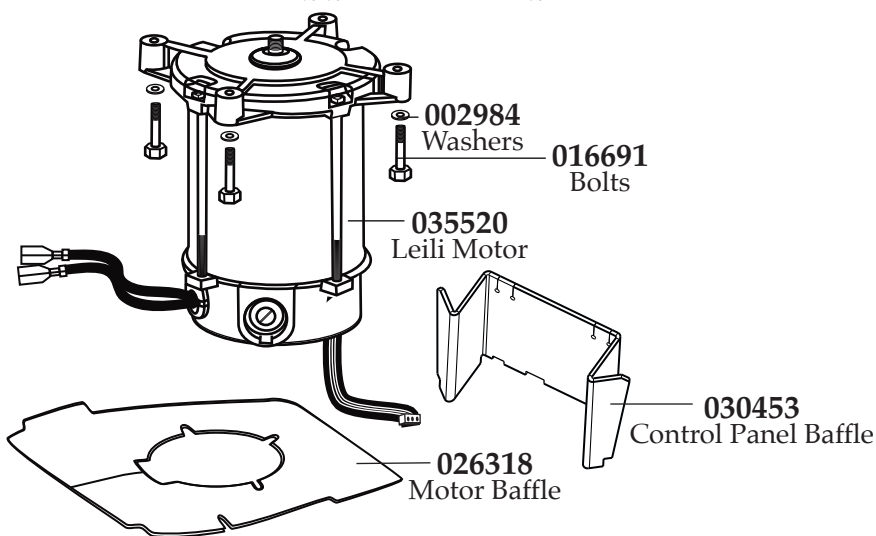
<b>Illustration#</b>	<b>Part#</b>	<b>Description</b>
32	503328	Coupling with Magnet Ring
33	025871	Jar Pad
34	028025	Top Housing
35	030895	Control Panel
36	029888	Rear Control Panel
37	026497	Screw (4 required)
38	030453	Control Panel Baffle <i>(on units after 7/28/2016)</i>
39	002984	Washer (4 required <i>on units after 7/28/2016</i> )
	003344	Washer (4 required <i>on units after 3/29/2016</i> )
	002984	Washer (4 required)
40	016691	Hex Bolt (4 required <i>on units after 7/28/2016</i> )
	019098	Screw (4 required <i>on units after 3/29/2016</i> )
	016691	Bolt (4 required)
41	035520	Leili Motor <i>(on units 8/14/2017)</i>
	029875	ECM Motor with MTP <i>(on units after 7/28/2016 use 035520)</i>
	503472	Motor Modified CB15 Groschopp <i>(on units after 3/29/2016 use 036445)</i>
	026170	ECM Motor <i>(on units after 1/27/2016)</i>
	029875	ECM Motor with MTP (use 035520)
42	026318	Baffle <i>(on units after 7/28/2016)</i>
	035355	Baffle <i>(on units after 3/29/2016)</i>
	026318	Baffle
43	026500	Screw (6 required)
44	018791	Screen
45	013731	Cable Tie
46	503329	Cord Set
47	018811	Strain Relief
48	026317	Bottom Housing
49	002984	Washer (4 required)
50	026412	Screw (4 required)
51	002943	Ground Washer
52	027278	Ground Screw
53	026296	Foot (4 required)
54	018314	Washer (4 required)
55	026493	Screw (4 required)

## Groschopp Motor Parts No Longer Used

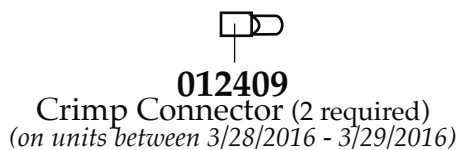
(on units after 3/29/2016 thru 7/28/2016)



## 036445 CB15 Groschopp Motor Replacement Kit



## Part No Longer Used



## Wiring Diagram (on units between 3/28/2016 - 3/29/2016)

