

Unit Information

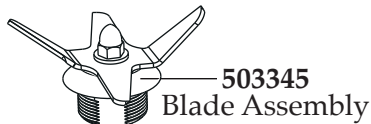
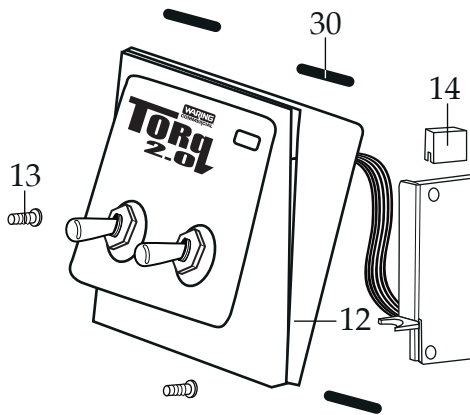
2 HP – 1500 watt – 24,000 Max RPM
 64 oz, Stainless Steel Container
 Limited 2 Motor Year Warranty
 Limited 1 Year Parts and Labor



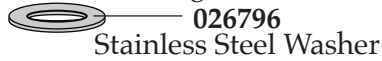
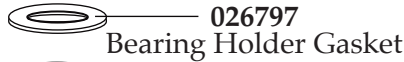
TORq 2.0 Blender with 2 Toggle Switches and 64 oz. Stainless Steel Container **TBB145S6**



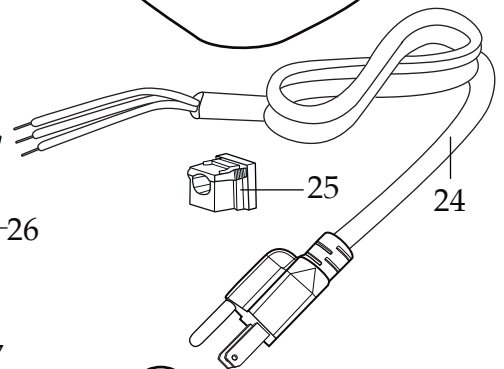
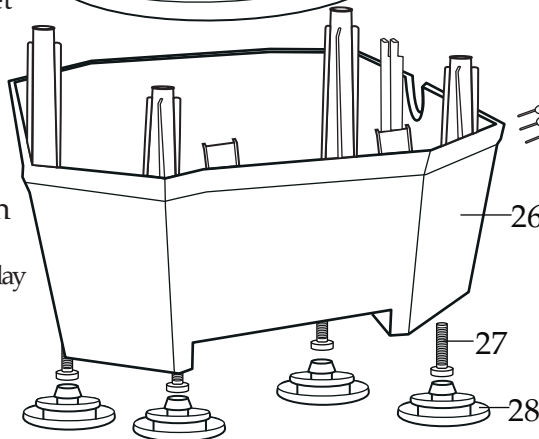
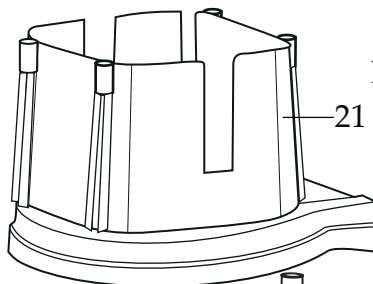
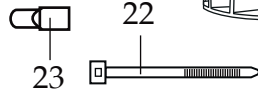
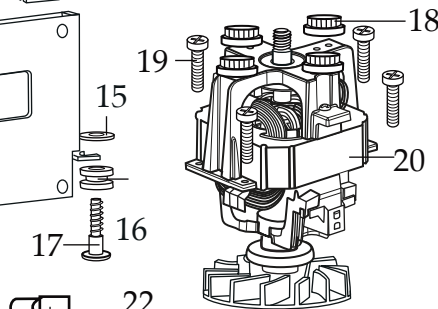
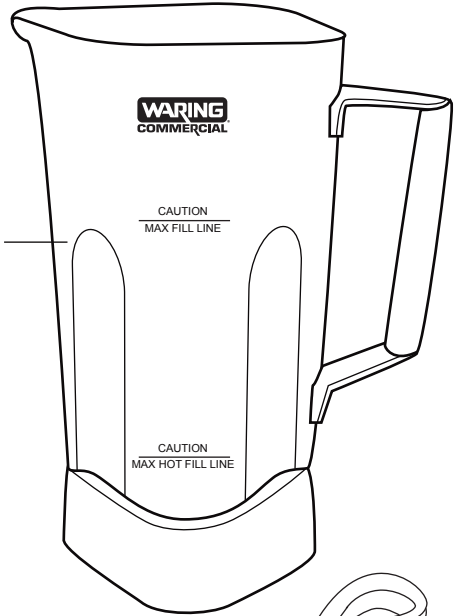
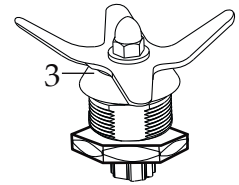
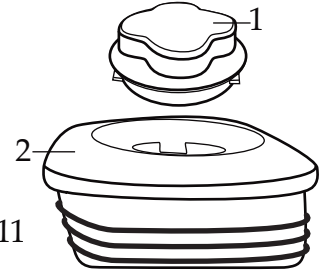
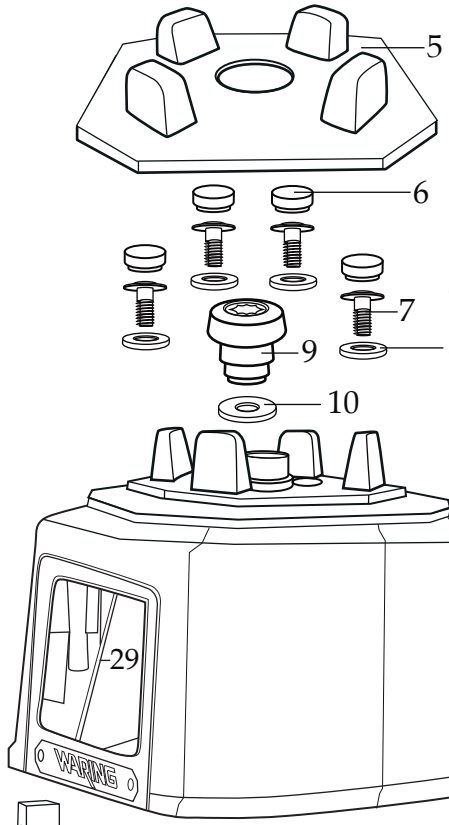
035122
Control Panel Overlay



Container Container Support

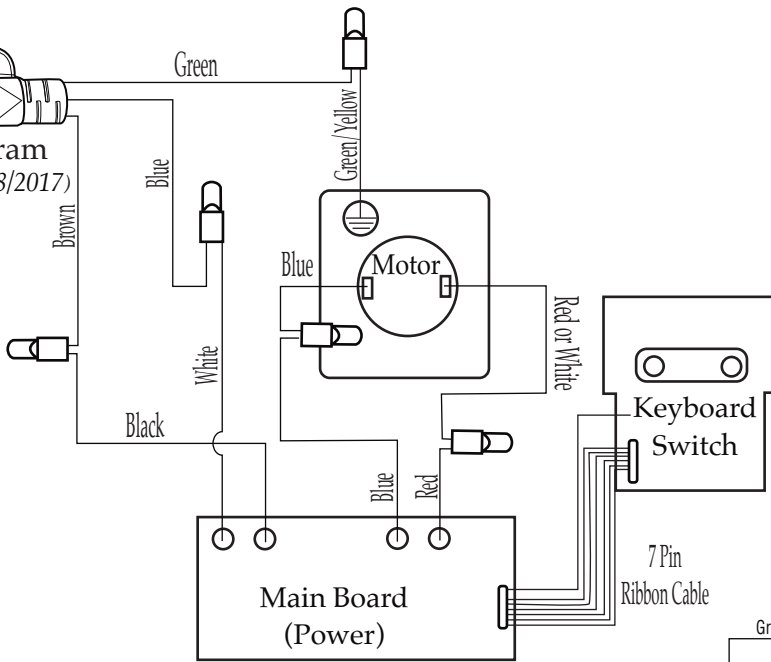


Date Code Location
 YY|MM|DD
 year year | month month | day day

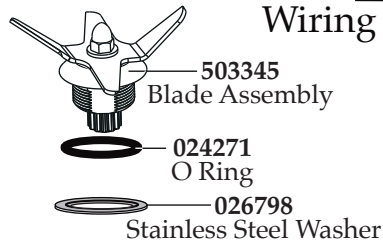
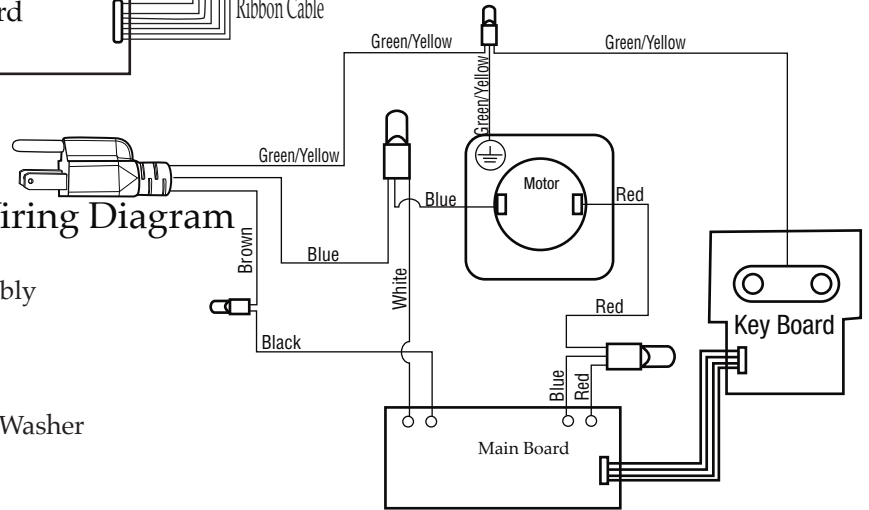


Illustration#	Part#	Description
1	026425-E	Eastman Jar Lid Cover
2	026424-V	Vinyl Jar Lid
3	032483	Blending Assembly Kit
4	026648	64 oz Stainless Steel Container ONLY
	503346	64 oz. Stainless Steel Container Complete with Blending Assembly
5	035885	Jar Pad
6	035085	Hole Plug (4 required)
7	034275	Sems (4 required)
8	034273	B Gasket (4 required)
9	037034	Drive Coupling 2 Gen. <i>(on units after 11/15/2019)</i>
	035251	Drive Coupling
10	037033	Coupling Washer <i>(on units after 11/15/2019)</i>
11	503609	Top Housing with Badge <i>(on units after 7/24/2021)</i>
	503460-145	Top Housing Assembly
12	038164	Control Panel <i>(on units after 7/24/2021)</i>
	035160	TBB145 Control Panel
13	035090	Screw (2 required)
14	034900	PCB Cushion (2 required)
15	013604	Washer (2 required)
16	034904	Rubber Grommet (2 required)
17	034902	Sems (2 required)
18	034272	A Gasket (4 required)
19	034274	Screw (4 required)
20	035815	Chiaphua Motor <i>(on units after 6/4/2021)</i>
	035123	ECM Motor (use 034276)
	034276	ECM Motor / KB500
21	503483	Motor Housing with Dampeners
22	013731	Cable Ties (7 required)
23	012409	Small Crimp Connectors (5 required <i>on units after 10/18/2017</i> - 2 required)
	019123	Large Crimp Connector (2 required)
24	035124	Cordset
25	033619	Strain Relief
26	035079	Bottom Housing
	503480	Bottom with Feet Assembly
27	034274	Screw (4 required)
28	035088	Foot (4 required)
29	033737	O Ring <i>(on units from 4/7/2022 thru 4/13/2022)</i>
30	038614	Back Bezel Seal (3 required <i>on units after 8/12/2022)</i>

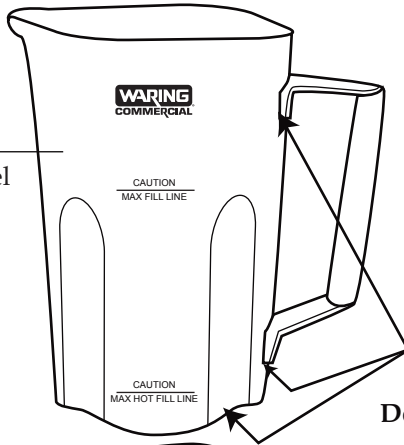
Wiring Diagram
(on units after 10/18/2017)



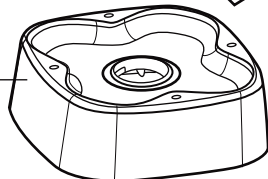
Wiring Diagram



026648
64 oz Stainless Steel
Container ONLY



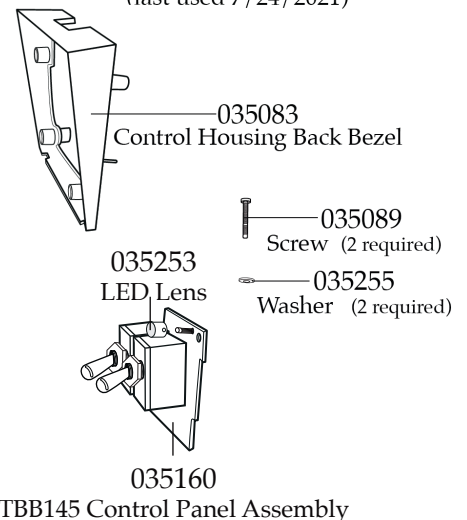
026649
Stainless Steel
Container Support



- 026797 Bearing Holder Gasket
- 026796 Stainless Steel Washer
- 026795 Hex Nut

Parts No Longer Used

(last used 7/24/2021)



Notes:
Sealant applied all round
these indicated areas.
Dow Corning Sealant RTV 733
Torque 100-125 in/lbs.
Lubricant applied to O Ring
Dow Corning 200 (R) Fluid

035160
TBB145 Control Panel Assembly