

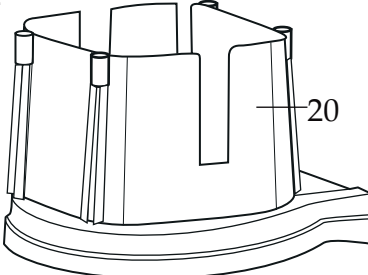
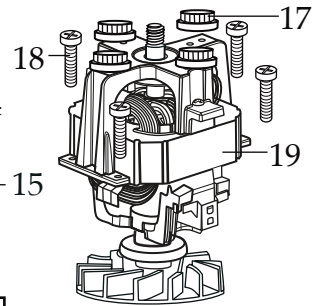
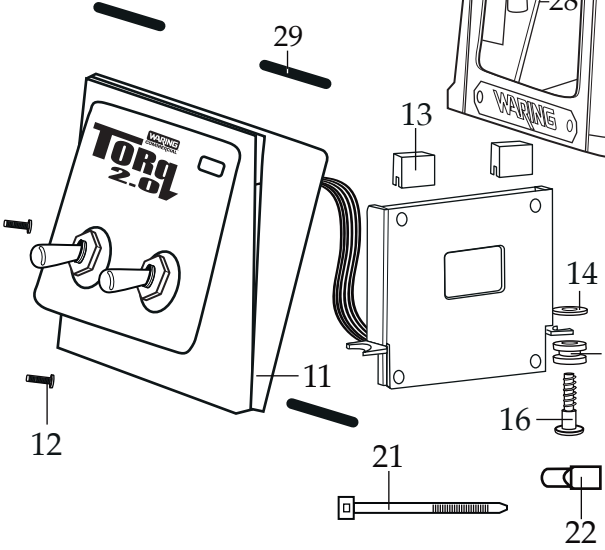
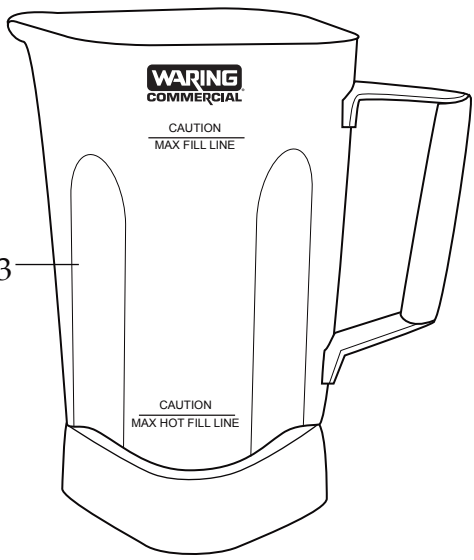
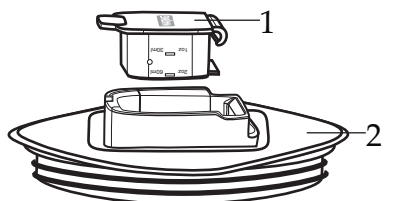
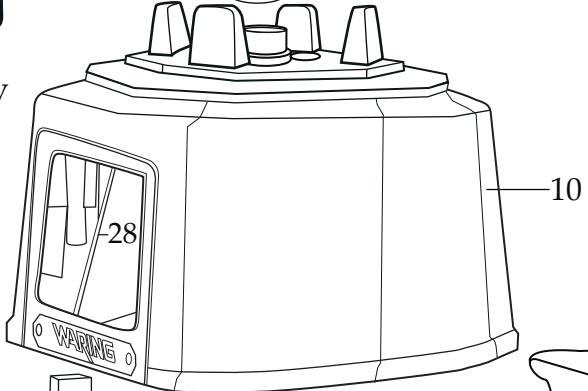
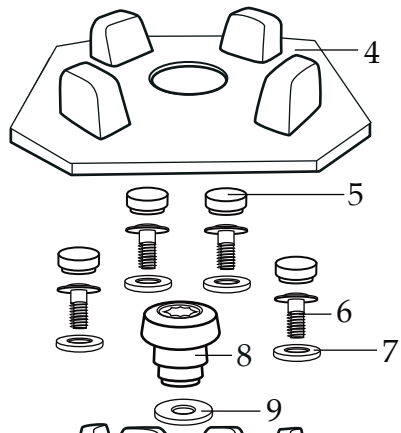
Unit Information
 2 HP – 1500 watt – 24,000 Max RPM
 48 oz. Stainless Steel Container
 Limited 2 Year Warranty
 Limited 1 Year Parts and Labor



TORq 2.0 Blender
 with 2 Toggle Switches and
 48 oz. Stainless Steel Container
TBB145S4



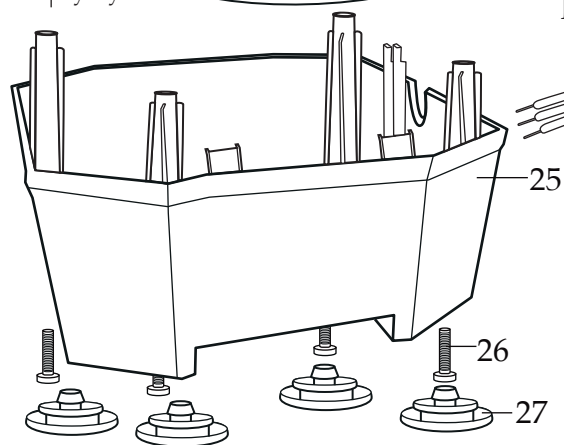
035122
 Control Panel Overlay



013304
 NSF Seal



Date Code Location
 YY|MM|DD
 year|year|month|month|day|day



Illustration#	Part#	Description
1	035153	Eastman Jar Lid Cover
2	036319-V	Vinyl Jar Cover
3	036320	48 oz. Stainless Steel Container ONLY
	503515	48 oz. Stainless Steel Container Complete with Blending Assembly
4	035885	Jar Pad
5	035085	Hole Plug (4 required)
6	034275	Sems (4 required)
7	034273	B Gasket (4 required)
8	037034	Drive Coupling 2 Gen. <i>(on units after 11/15/2019)</i>
	035251	Drive Coupling
9	037033	Coupling Washer <i>(on units after 11/15/2019)</i>
10	503609	Top Housing with Badge
	503460-145	Top Housing Assembly
11	038164	Control Panel
	035160	Control Panel
12	035090	Screw (2 required)
13	034900	PCB Cushion (2 required)
14	013604	Washer (2 required)
15	034904	Rubber Grommet (2 required)
16	034902	Sems (2 required)
17	034272	A Gasket (4 required)
18	034274	Screw (4 required)
19	035815	Chiaphua Motor <i>(on units after 6/4/2021)</i>
	034276	ECM Motor
20	503483	Motor Housing with Dampeners
21	013731	Cable Ties (6 required)
22	012409	Small Crimp Connector (5 required <i>on units after 10/18/2017</i> - 2 required)
	019123	Large Crimp Connector (2 required)
23	035124	Cordset
24	033619	Strain Relief
25	035079	Bottom Housing ONLY
	503480	Bottom Housing with Feet Assembly
26	034274	Screw (4 required)
27	035088	Foot (4 required)
28	033737	O Ring <i>(on units from 4/12/2022 thru 4/26/2022)</i>
29	038614	Back Bezel Seal (3 required <i>on units after 8/12/2022</i>)

Catalog/Model

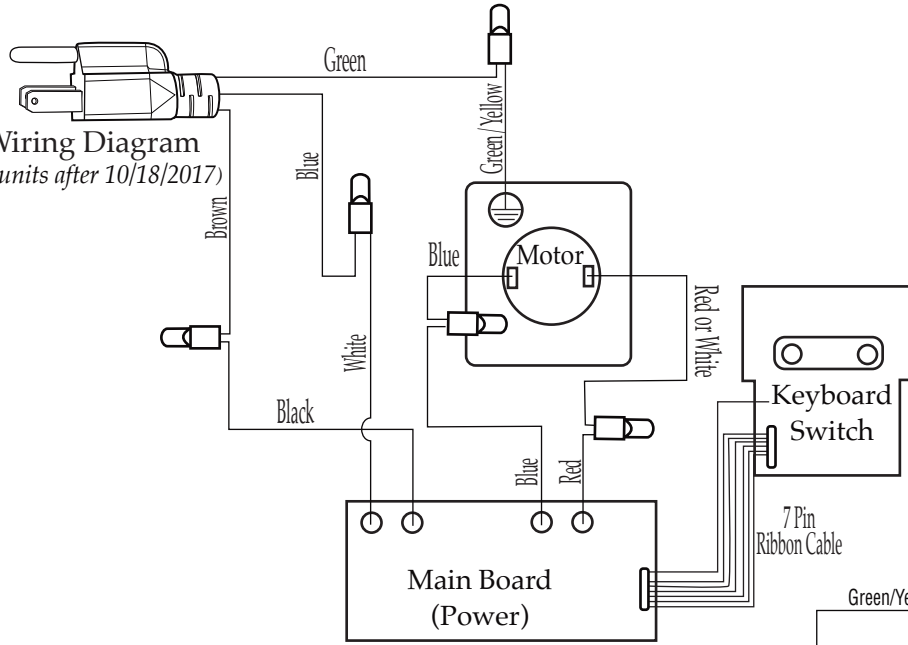
TBB145S4

**WARING
COMMERCIAL**

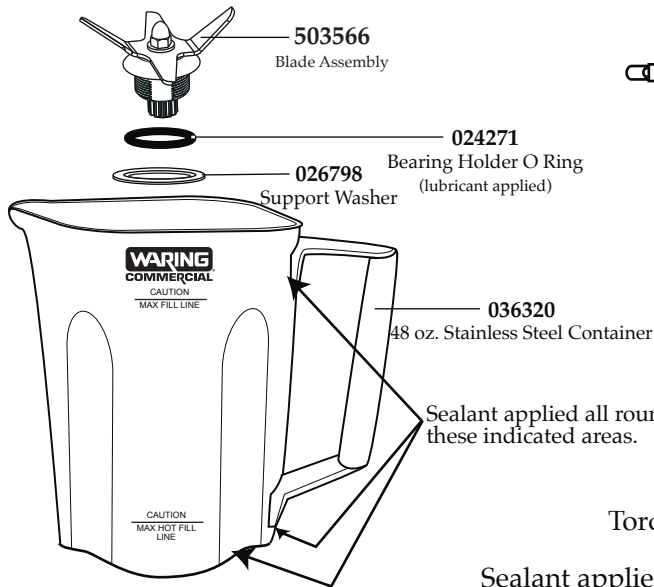
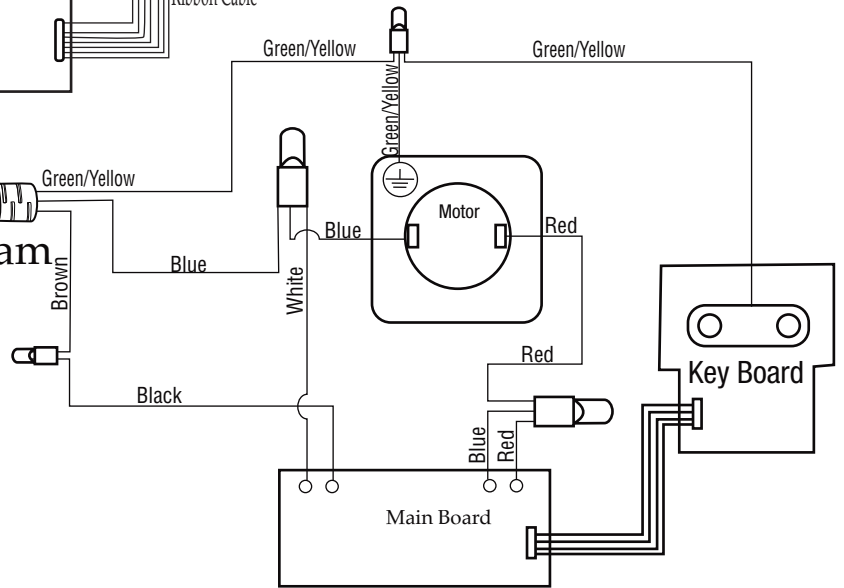
314 Ella T. Grasso Ave.
Torrington, CT 06790
Tele. 1-800-269-6640
Fax 860-496-9017

www.waringcommercialproducts.com

Wiring Diagram
(on units after 10/18/2017)



Wiring Diagram



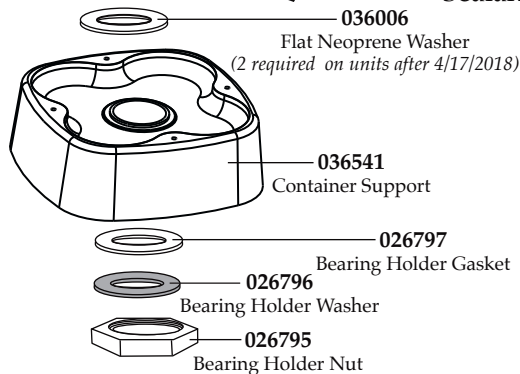
Sealant applied all round these indicated areas.

Notes:

Torque 100-125 in/lbs

Sealant applied all around indicated areas.
Dow Corning Sealant RTV 733

Lubricant applied to O Ring
Dow Corning 200 (R) Fluid



Parts No Longer Used

(last used 7/24/2021)

