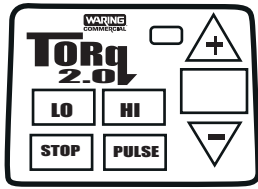


WARING COMMERCIAL TORq 2.0 Blender

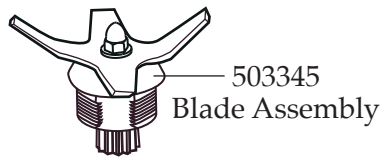
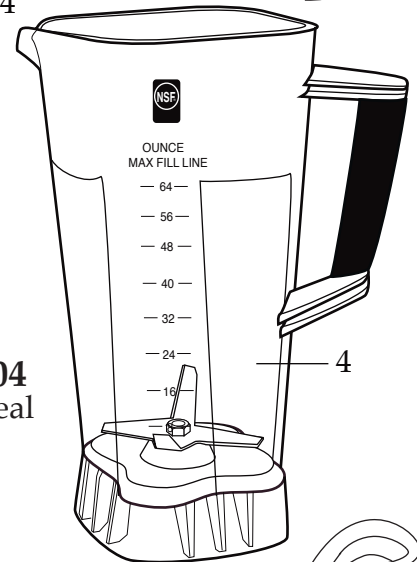
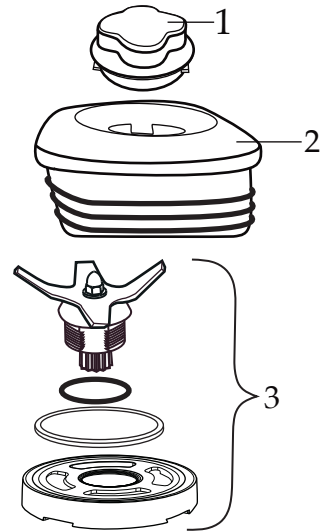
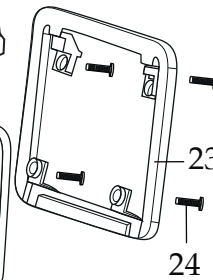
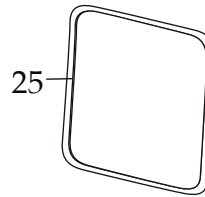
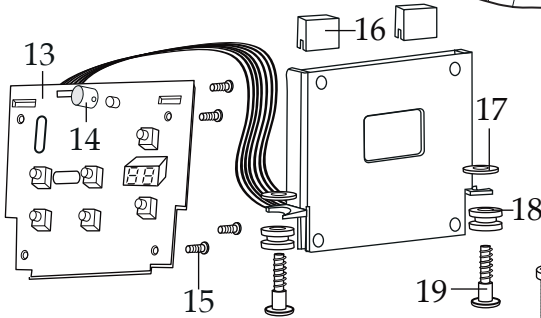
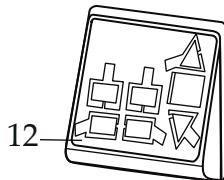
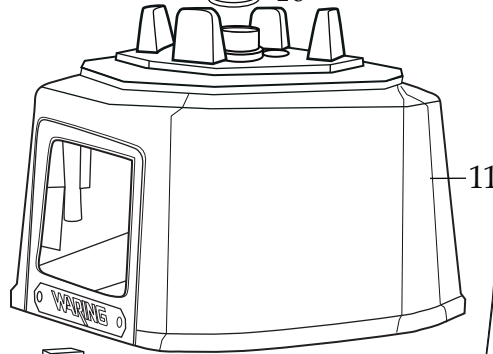
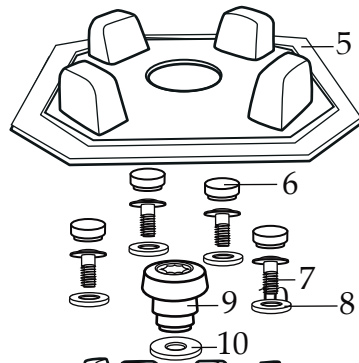
with Electronic Keypad, Timer &
64 oz. Copolyester Container

TBB160P6

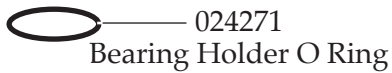


035236

Control Panel Overlay



503345
Blade Assembly



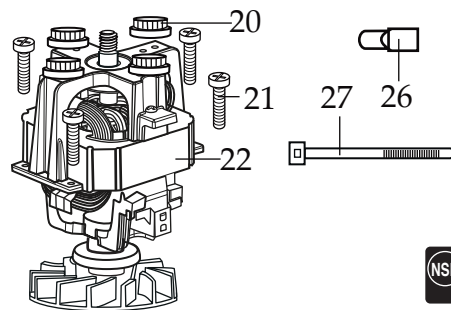
024271
Bearing Holder O Ring



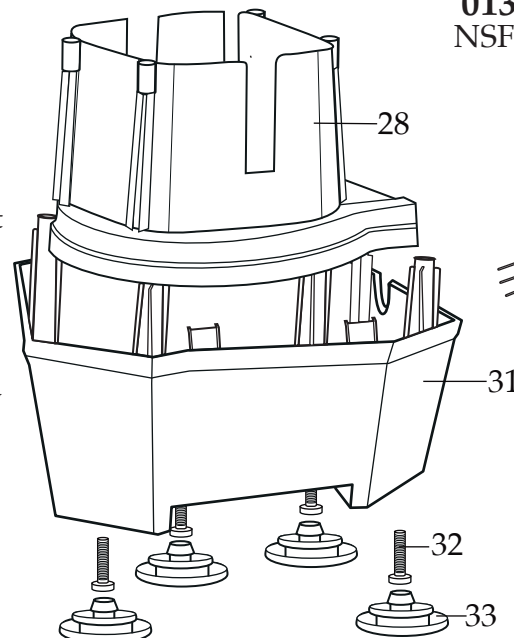
024268
Nut Gasket



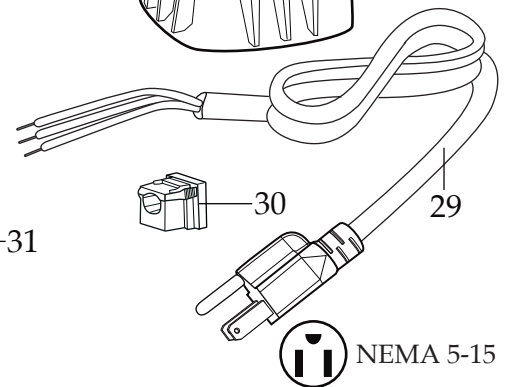
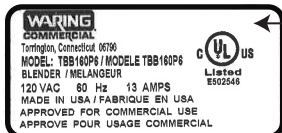
029631
Bearing Holder Nut



013304
NSF Seal



Date Code Location
YY|MM|DD
year year month month day day



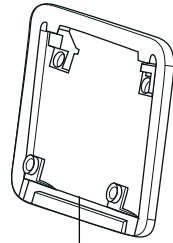
NEMA 5-15

Illustration#	Part#	Description
1	026425-E	Eastman Jar Lid Cover
2	026424-V	Vinyl Jar Lid
3	031060	Blending Assembly Kit
4	026423-E 503347	64 oz. Container ONLY 64 oz. Container with Blending Assembly
5	035885 035091	Jar Pad (<i>changed after 8/2/2018</i>) Jar Pad (use 035885)
6	035085	Hole Plug (4 required)
7	034275	Sems (4 required)
8	034273	B Gasket (4 required)
9	037034 035251	Drive Coupling Machined 2 Gen. (<i>on units after 11/15/2019</i>) Drive Coupling
10	037033	Coupling Washer (<i>on units after 11/15/2019</i>)
11	503609 503460-160	Top Housing with Badge (<i>on units after 9/28/2022</i>) Top Housing Assembly
12	035234	Control Housing Front Bezel (<i>on units after 9/28/2022</i>)
13	037012 035162	Control Panel (<i>on units after 1/17/2022</i>) Control Panel Assembly
14	035253	LED Lens
15	035090	Screw (4 required)
16	034900	PCB Cushion (2 required)
17	013604	Washer (2 required)
18	034904	Rubber Grommet (2 required)
19	034902	Sems (2 required)
20	034272	A Gasket (4 required)
21	034274	Screw (4 required)
22	035815 034276 035123	Chiaphua Motor with Sensor (<i>on units after 6/23/2021</i>) ECM Motor / KB500 ECM Motor use 034276
23	035237	Control Housing Back Bezel (<i>on units after 9/28/2022</i>)
24	035090	Screw (4 required)
25	038576	Top Housing Control Seal (<i>on units after 9/28/2022</i>)
26	012409 019123	Small Crimp Connectors (2 required) Large Crimp Connector (2 required)

Illustration#	Part#	Description
27	013731	Cable Ties (6 required)
28	503483	Motor Housing with Dampeners
29	035124	Cordset </td
30	033619	Strain Relief
31	503480	Bottom Housing & Feet
	035079	Bottom Housing ONLY
32	034274	Screw (4 required)
33	035088	Foot (4 required)

Part No Longer Used

(last used 12/17/2019)



035237

Control Housing Back Bezel

