

# WARING COMMERCIAL

Xtreme Blender with Paddle Switch  
48 oz. Stackable Raptor Container

## MX1000TXP

### Unit Information

Limited 3 Year Motor Warranty  
Two Year Parts & Labor

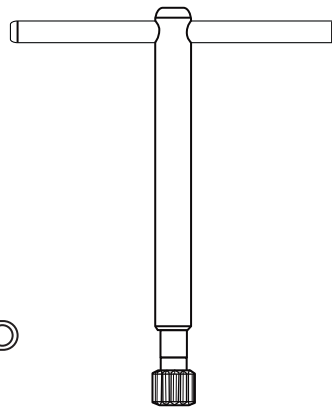
60Hz - 13 Amps

Height 19" - Weight 15 lbs.

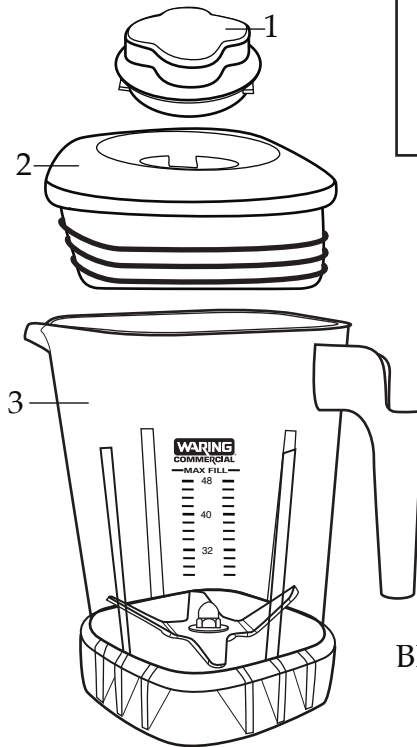
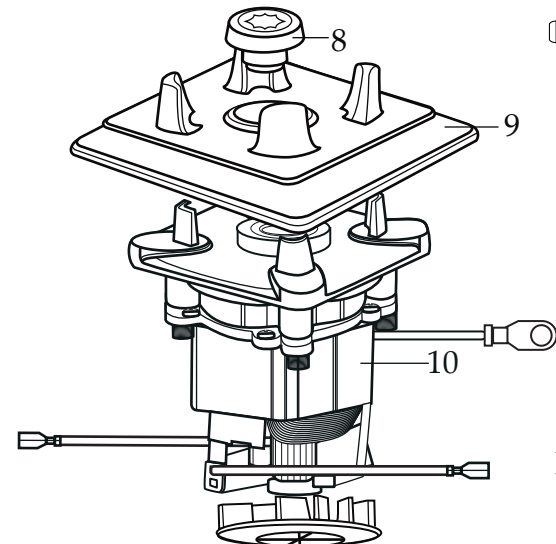
3 HP Motor

30,000+ RPM's

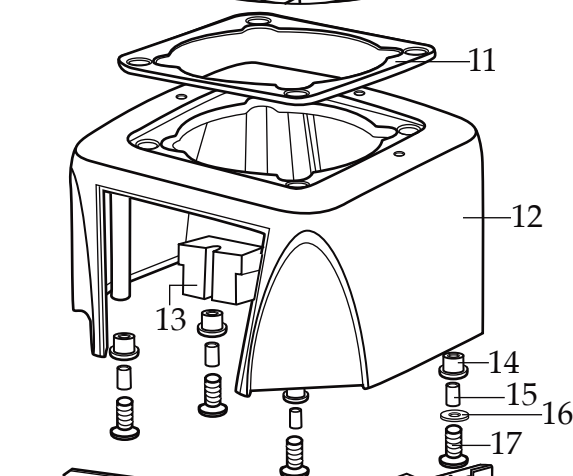
One Piece Dishwasher Safe  
Removable Jar Pad



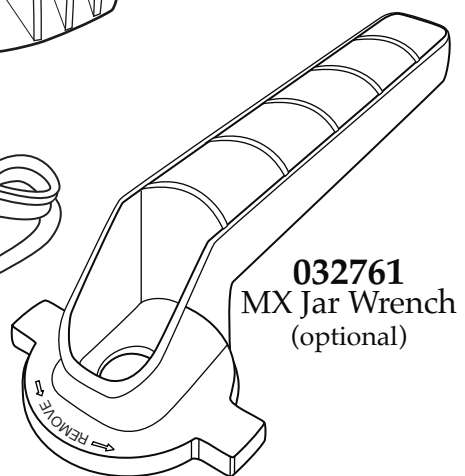
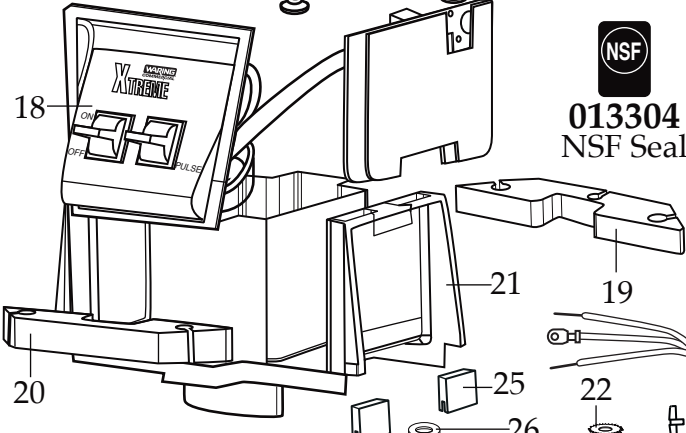
**503351**  
MX Coupling Wrench  
(optional)



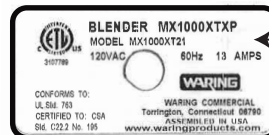
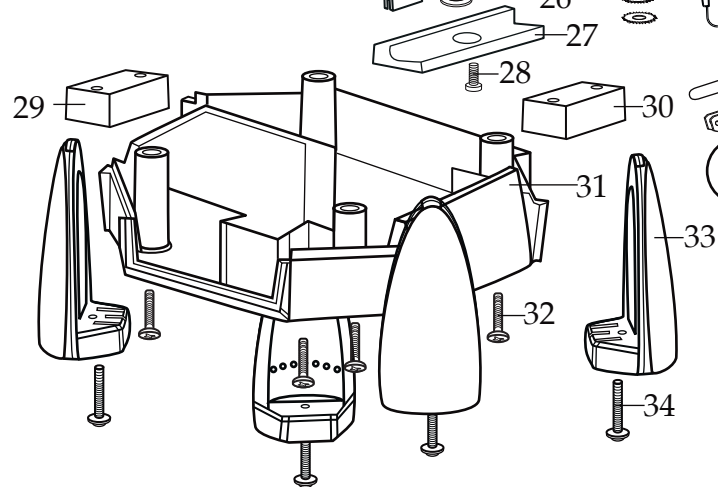
**030889**  
Blending Assembly Kit



**013304**  
NSF Seal



**032761**  
MX Jar Wrench  
(optional)



← Date Code Location  
YY|MM|DD  
year|year|month|month|day|day

<b>Illustration#</b>	<b>Part#</b>	<b>Description</b>
1	026425-E	Eastman Lid Cover
2	026424-V	Vinyl Jar Lid
3	030888	48 oz. Stackable Raptor Container ONLY
	503439	48 oz. Stackable Raptor Container with Blending Assembly
4	503397	Blade Assembly
5	024271	Baun O Ring
6	024268	Rubber Nut Gasket
7	029631	Bearing Holder Nut
8	503601	Sq. Drive Coupling with Adapter <i>(on units after 3/29/2022)</i>
	503604	Sq. Drive Coupling with Adapter 2 Gen <i>(on units after 5/7/2021)</i>
	028538	Drive Coupling
9	026442	Jar Pad
10	035396	Leili Motor without Sensor <i>(on units after 7/26/2017)</i>
	028100	ECM Motor without Sensor
11	038278	Dampening Plate Gasket <i>(on units after 8/25/2022)</i>
	026437	Dampening Plate Gasket
12	028032-09	Black Top Housing
13	028541	Motor Foam (2 required)
14	026439	Dampening Plate Bushing (4 required)
15	038486	Dampening Plate Sleeve (4 required <i>on units after 8/25/2022</i> )
	026453	Dampening Plate Sleeve (4 required)
16	026459	Washer
17	028929	Sems (4 required)
18	036394	Control Panel with Interlock <i>(on units after 2/7/2019)</i> comes with switches- key board-main board
	033465	Soft Start Sealed Switch Control Panel <i>(on units after 6/5/2013 use 036394)</i>
	029808	Soft Start Control Panel <i>(on units after 1/10/2011 use 033465)</i>
	028388	Control Panel (use 029808)
19	028248	Top Housing Foam Rear Baffle
20	028249	Top Housing Foam Front Baffle
21	036814	Motor Housing 2.78" <i>(on units after 7/18/2019)</i>
	028240-67	Motor Housing <i>(on units after 8/24/2017)</i>
	028240	Motor Housing
22	002943	Washer (2 required)
23	026925	Cord Set
24	007556	Strain Relief
25	034900	PCB Cushions (2 required <i>on units 7/18/2019</i> )

Illustration#	Part#	Description
26	037232	Neoprene Washer <i>(on units after 7/18/2019)</i>
27	037007	PCB Mounting Bracket <i>(on units after 7/18/2019)</i>
28	013768	Screw <i>(on units after 7/18/2019)</i>
29	028247	Bottom Housing Foam Baffle
30	028542	Foam Baffle
31	028241-09-X	Black Bottom Housing
32	012505	Screw (4 required)
33	026430	Corner Post (4 required)
34	028928	Sems (4 required)

