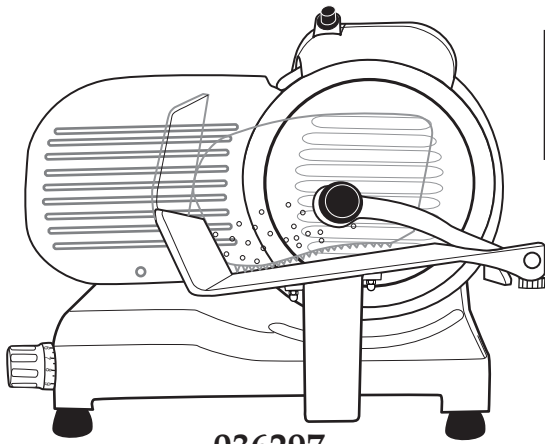


**WARING**  
**COMMERCIAL**

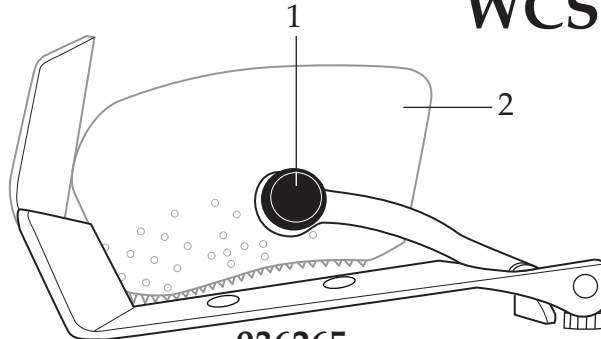
10" Blade Food Slicer  
**WCS250SV** silver

**Information**

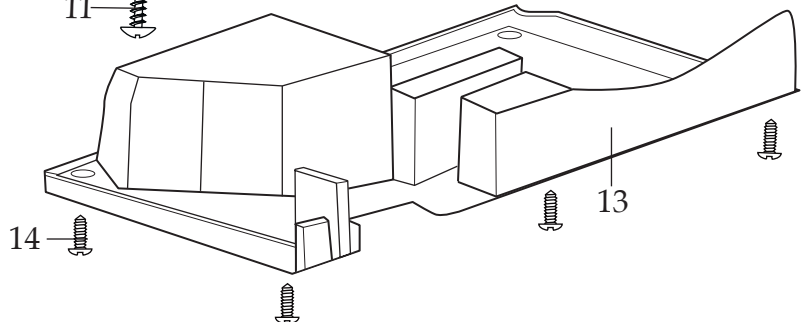
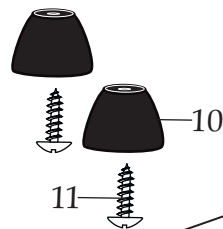
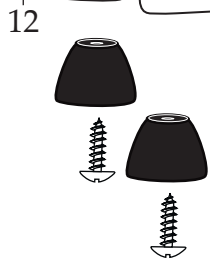
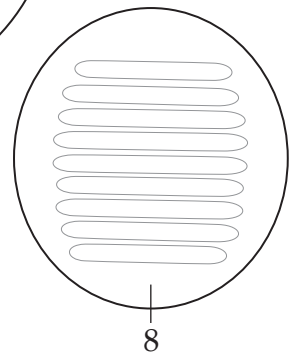
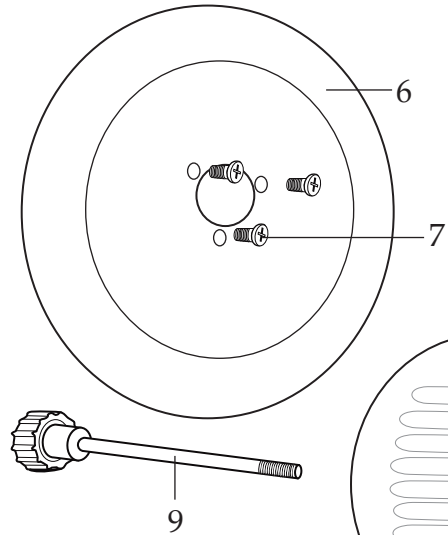
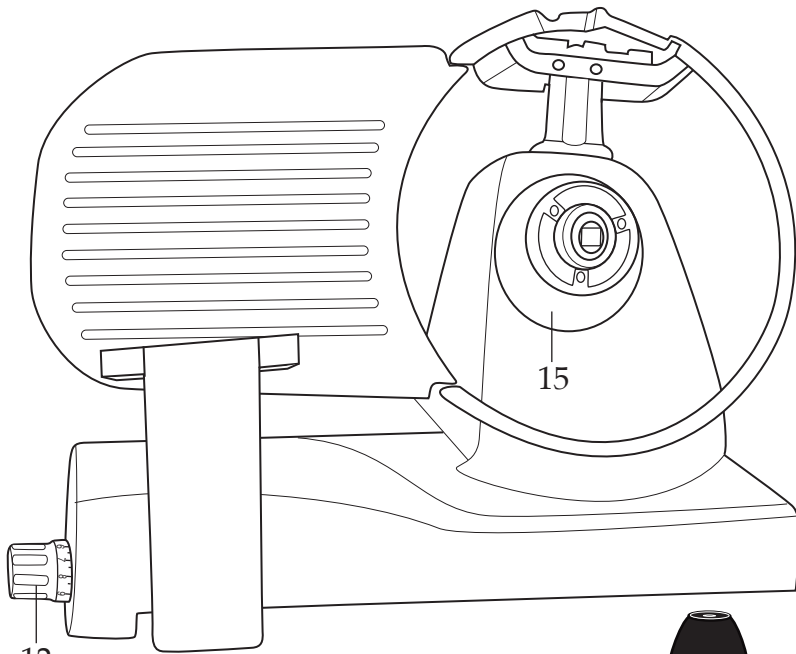
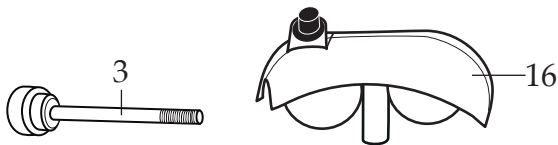
120 volts – 60Hz – 1.1 Amps

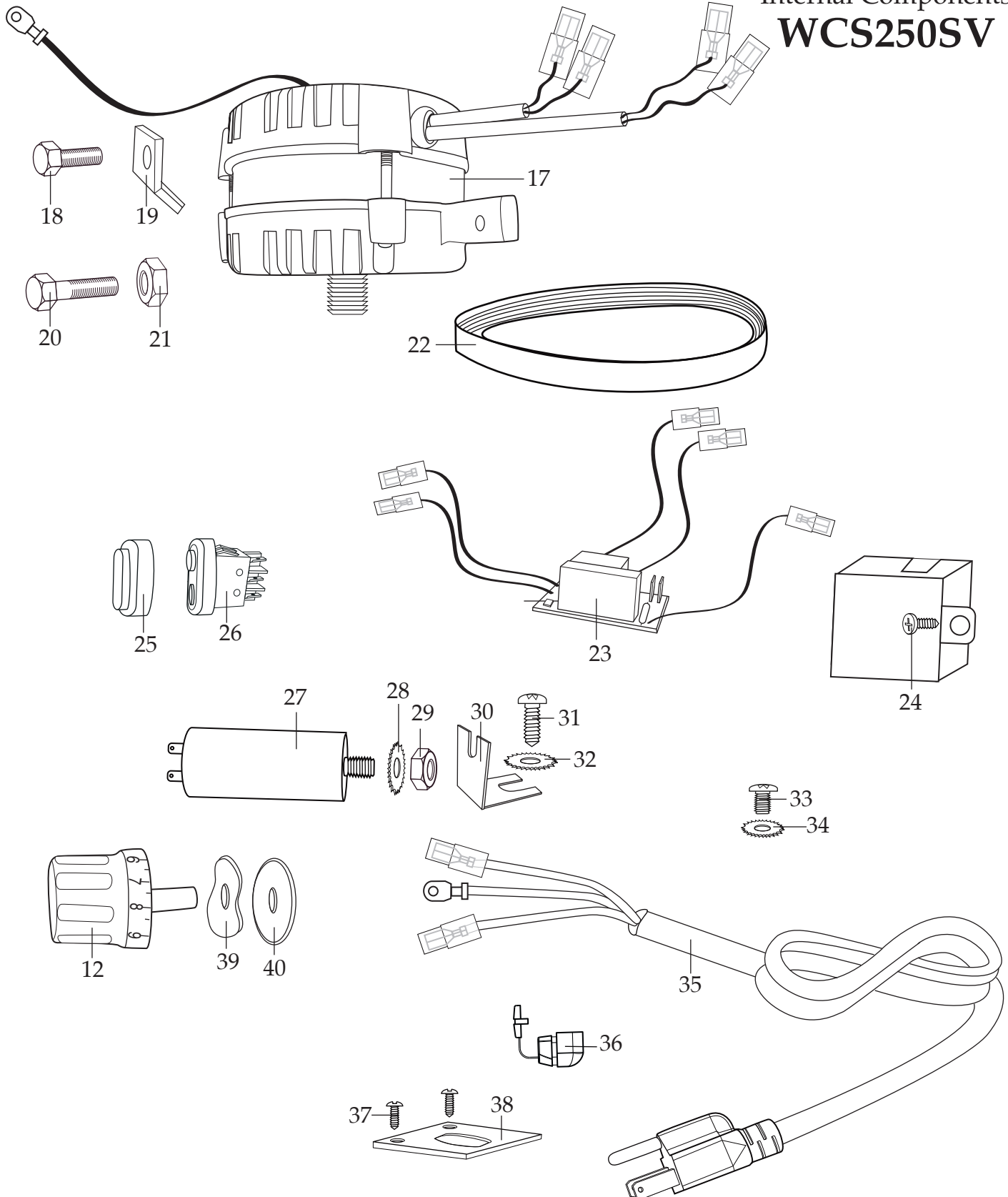


**036297**  
WCS250SV Unit



**036265**  
Food Carriage Assembly





<b>Illustration#</b>	<b>Part#</b>	<b>Description</b>
1	036270	Food Guide Handle
2	036269	Plastic Food Guide
3	037342	Blade Sharpener Rod and Knob
4	036267	Washer (2 required)
5	036266	Cap Nut (2 required)
6	036263	10" Blade
7	036264	Screw (3 required)
8	036261	Blade Cover
9	036262	Locking Blade Cover Knob and Rod
10	036273	Foot (4 required)
11	036274	Screw (4 required)
12	036277	Thickness Knob
13	036271	Bottom Plate
14	036272	Screw (4 required)
15	036298	Sealing Ring Cover
16	036260	Blade Sharpener Assembly
17	036285	Motor Assembly
18	036287	Short Hex Head Bolt
19	036286	Motor Bracket
20	036288	Long Hex Head Bolt
21	036289	Hex Nut
22	036296	Drive Belt
23	037026	Control Board with Box
24	036272	Screw
25	036276	Clear Switch Cover
26	036275	Switch
27	036280	Capacitor
28	036282	Lock Washer
29	036283	Hex Nut

<b>Illustration#</b>	<b>Part#</b>	<b>Description</b>
30	036281	Capacitor Bracket
31	036284	Screw
32	036282	Lock Washer
33	036290	Ground Screw (2 required)
34	036291	Ground Lock Washer (2 required)
35	036292	Cord
36	036293	Strain Relief
37	036295	Screw
38	037025	Cable Lock Plate
39	036278	Spring Washer
40	037346	Washer

### Parts No Longer Used

