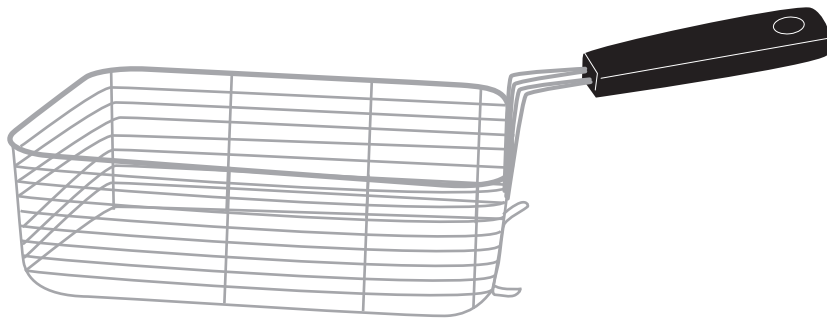


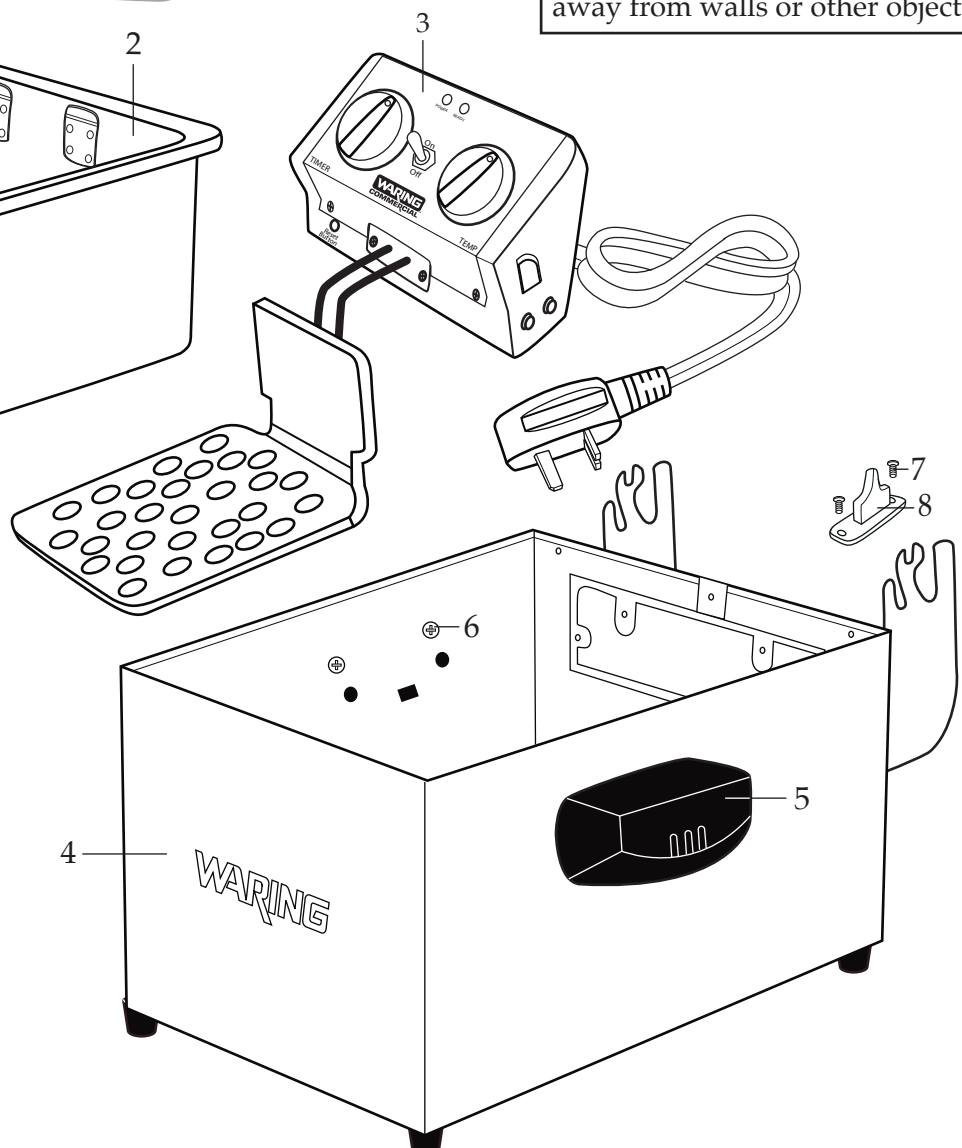
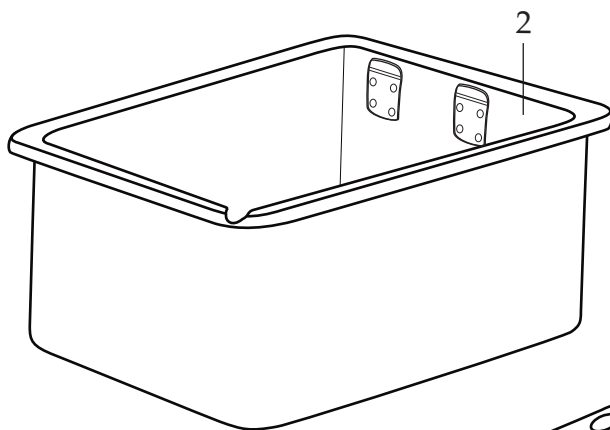
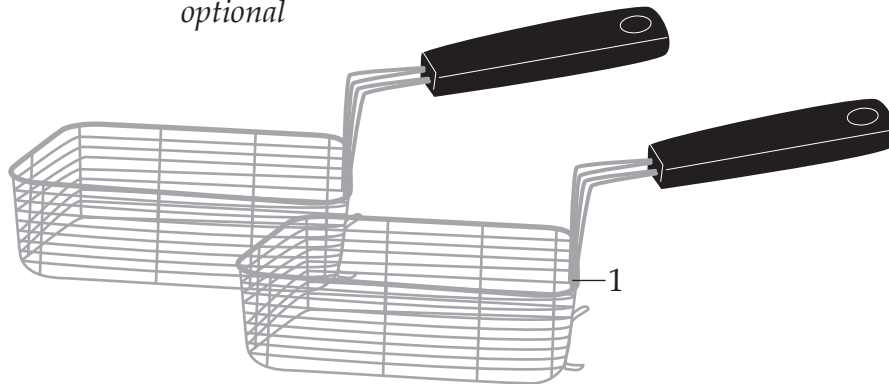
WARING[®] COMMERCIAL

Commercial Deep Fryer

WDF75B / 208 volt



032603
Large Frying Basket (LFB75)
optional



Unit Information

60Hz – 2700 Watts

3 lb. food capacity total of
2 baskets.

The unit will not work if the
control panel is not properly
mounted.

Use about 1 1/4 gallons of oil.

Keep appliance at least 4 inches
away from walls or other objects.

Date Code Location
YY|MM|DD
year|year|month|month|day|day

→ YYMMDD



Illustration#	Part#	Description
1	032606	Basket with Handle (2 required)
2	028576	Oil Container
3	503167	Heating Element /with heat diffuser and heater stand
4	503122	Body Assembly /with handles and feet
5	028578	Body Handle (2 required)
6	028577	Screw /2 per handle (4 required)
7	030439	Screw (2 required)
8	030438	Safety Switch Acuator