



WSM10LT

10-Quart Planetary Mixer with Integrated Digital Timer



Luna¹⁰



New integrated 99-minute digital timer Hub size #12

ELECTRICAL

Voltage: 120

Frequency: 60Hz

Watts: 450

Amps: 3.75

Plug Type: NEMA 5-15P ⓘ

Cord Length: 6 feet



MAIN FEATURES

- Large 10-quart stainless steel bowl with stainless steel handle
- Integrated, easy-to-use 99-minute countdown timer
 - Automatically stops mixer when time reaches 0:00
 - Ensures consistent results every time
- Heavy-duty ¾ HP induction motor
- Side-mounted controls
- 3 mixing speeds
- Heavy-duty bowl-lift lever
- Gear-driven, permanent lube transmission
- Thermal overload protection
- Includes stainless steel bowl, chef's whisk, dough hook, and aluminum mixing paddle
- Specifically designed for countertop use
- Nonslip rubber feet
- Limited two-year motor warranty, one-year parts & labor

SALES FEATURES

Equipped with a powerful ¾ HP induction motor, this heavy-duty 10 qt. planetary mixer is perfect for foodservice operations in need of a dependable mixing solution. Mix ingredients for baked goods, power through batters, and more. The 3-speed variable control ensures efficiency and versatility. The new integrated countdown timer keeps the mixing process on track while providing ideal and consistent results every time. The gear-driven design with thermal overload protection makes this mixer especially reliable in any commercial kitchen.

10-Quart Planetary Mixer with Integrated Digital Timer

WSM10LT



@waringproducts

©2024 Waring

314 Ella T. Grasso Avenue, Torrington, CT 06790
Tel. 800-492-7464 • Fax 860-496-9008

waring.com



10-Quart Planetary Mixer with Integrated Digital Timer WSM10LT

PARTS & ACCESSORIES



WSM10LMP Aluminum Mixing Paddle



WSM10LW Stainless Steel Chef's Whisk

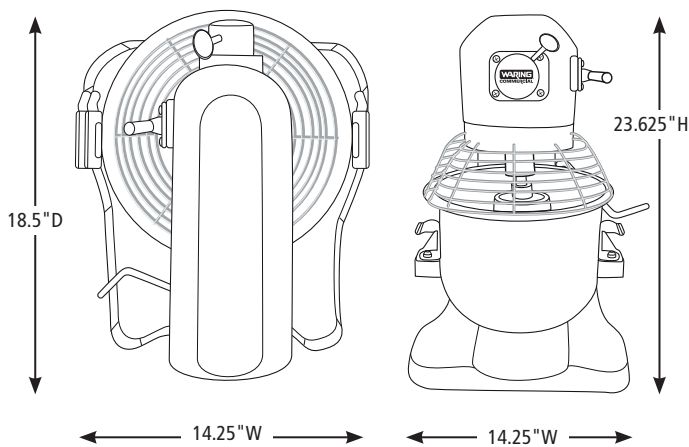
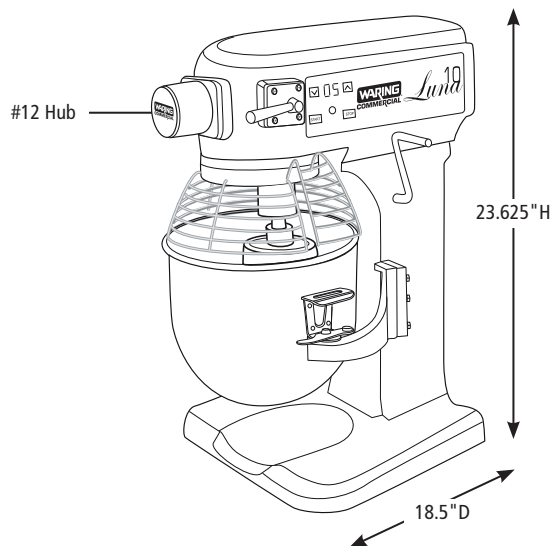


WSM10LDH Stainless Steel Dough Hook



WSM10LBL 10-Quart Stainless Steel Bowl

DIMENSIONS



Special shipping requirements needed. Machines ship in large wood crates via courier service.

Out of Box Weight: 88 lb.

ORDERING INFORMATION	#STD. PKG.	BOX WEIGHT	CUBIC FEET	BOX DIMENSIONS D X W X H	UPC	CASE PKG.	MC WEIGHT	MC DIMENSIONS D X W X H	MBC
WSM10LT – 10-Quart Planetary Mixer with Integrated Digital Timer	1	130 lb.	6.5	17.875" x 21" x 30"	040072104169	1	130 lb.	17.875" x 21" x 30"	10040072104166



@waringproducts

©2024 Waring
314 Ella T. Grasso Avenue, Torrington, CT 06790
Tel. 800-492-7464 • Fax 860-496-9008

waring.com

24WC93433/ REV 8/24