

WARING[®] COMMERCIAL

SINGLE DECK PIZZA OVEN
HORNO DE PIZZA DE UNA CÁMARA
FOUR À PIZZA SIMPLE



WPO500

For your safety and continued enjoyment of this product,
always read the instruction book carefully before using.

Para su seguridad y para disfrutar plenamente de este producto,
siempre lea atentamente las instrucciones antes del uso.

Afin que ce produit vous procure en toute sécurité beaucoup de satisfaction,
lire attentivement le manuel d'utilisation avant de l'utiliser.

IMPORTANT SAFEGUARDS

READ ALL INSTRUCTIONS

When using electrical appliances, basic safety precautions should always be followed including those listed below:

1. To protect against electrical hazards, do not immerse oven in water or other liquids.
2. NEVER clean with water jets, which can result in critical bodily injury or death.
3. DO NOT USE if cord or plug is damaged or if machine has malfunctioned, been dropped or damaged. Return appliance to the nearest authorized service facility for examination, repair or electrical or mechanical adjustment.
4. Do not use outdoors.
5. Do not let cord hang over edge of table or counter, or touch hot surfaces.
6. Improper installation or use can result in electrical shock, injury, or damage to your oven or property.
7. Your pizza oven is a heavy-duty appliance designed for commercial use, and intended to be operated by trained professionals only.
8. To prevent risk of fire, oven should be installed in a noncombustible environment. Any combustible materials must be at least 18 inches away from sides, front and back of oven and at least 40 inches from top.
9. Oven must be thoroughly cleaned before first use and after all uses (see USE AND CARE).
10. Always be sure to disconnect oven from power source when not in use and before cleaning or servicing.
11. Always allow oven to cool before moving or servicing. Surfaces are hot during use and remain hot for a while, even after power is off.
12. Do not allow insertion of any foreign object into any ventilation or exhaust opening; this can cause electric shock, fire or damage to the oven.
13. Never block air intakes or exhaust openings, or use on cushioned surfaces where blockage may occur.

- 14. This appliance is not intended for use by persons (including children) with reduced physical sensory or mental capabilities, or lack of experience and knowledge, unless they have been given supervision or instruction concerning use of the appliance by a person responsible for their safety.
- 15. Extreme caution should be exercised when using containers constructed of the following materials in the oven: paper, cardboard, plastic or similar products.

SAVE THESE INSTRUCTIONS

APPROVED FOR COMMERCIAL USE

CONTENTS

Important Safeguards	2
Grounding Instructions.....	4
Introduction	5
Parts and Accessories	6
Oven Installation.....	8
Pizza Ceramic Deck Installation & Conditioning	8
Before Using Your Oven	9
Baking Instructions.....	9
Tips and Hints	10
Use and Care	11
Installing and Replacing Oven Light.....	12
Safety Features	13
Warranty.....	14

120V GROUNDING INSTRUCTIONS

For your protection, this appliance is equipped with a 3-conductor cordset.

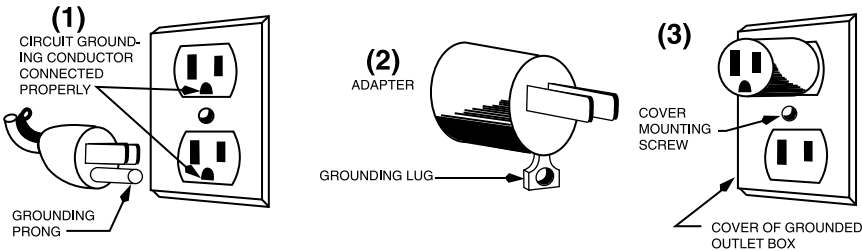
120 volt units are supplied with a molded 3-prong grounding-type plug (NEMA 5-15P) and should be used in combination with a properly connected grounding type outlet as shown in Figure 1.

If a grounding type outlet is not available, an adapter, shown in Figure 2, may be utilized to enable a 2-slot wall outlet to be used with a 3-prong plug (except in Canada and Europe).

Referring to Figure 3, the adapter must be grounded by attaching its grounding lug under the screw of the outlet cover plate.

Caution: Before using an adapter, it must be determined that the outlet cover plate screw is properly grounded. If in doubt, consult a licensed electrician. Never use an adapter unless you are sure it is properly grounded.

Note: Use of an adapter is not permitted in Canada and Europe.



EXTENSION CORDS

Use only 3-wire extension cords that have 3-prong grounding-type plugs and 3-pole cord connectors that accept the plug from the appliance. Use only extension cords that are intended for indoor use. Use only extension cords having an electrical rating not less than the rating of the appliance. Do not use damaged extension cords. Examine extension cord before using and replace if damaged. Do not abuse extension cord and do not yank on any cord to disconnect. Keep cord away from heat and sharp edges.

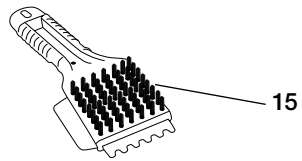
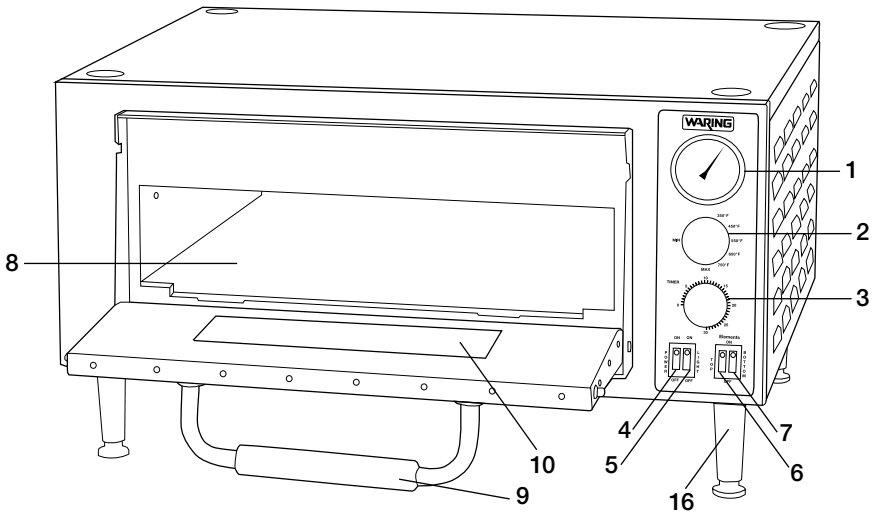
NOTE: This appliance is for 120 volts only and should not be used with a converter.

INTRODUCTION

The Waring® Commercial Pizza Oven with 18" x 18" ceramic deck can accommodate large pies, maintaining consistent temperatures to ensure that pizza cooks from the bottom as well as the top. A major benefit of a pizza stone over a pizza pan is the way that the ceramic stone drives moisture away from the crust, resulting in extra crispness.

Adjustable temperature control from 150°F to over 800°F allows you to cook a wider variety of items, and bakes pizza fast whether using fresh, frozen or par-baked dough. Pizza oven controls are designed for simplicity, with quick-touch switches and indicator lights for Power, Interior Oven Light, and Top and Bottom Elements. Superior heat technology ensures quick heat-up and recovery, for consistent oven temperatures that guarantee great results.

PARTS AND ACCESSORIES



1. Temperature Gauge
2. Temperature Control Knob
3. Manual Timer (30 minutes)
4. Main Power On/Off Switch
5. Oven Light On/Off Switch
6. Top Element On/Off Switch
7. Bottom Element On/Off Switch
8. Ceramic Pizza Deck (packed separately)
9. Door Handle
10. Tempered-Glass Door
11. Interior Light (not shown)
12. Top Heating Element (not shown)
13. Bottom Heating Element (not shown)
14. Rear Exhaust Vent (not shown)
15. Deck Cleaning Brush
16. Adjustable Legs (packed separately)
17. Power Cord (not shown)

1. **Temperature Gauge**
Lets you visually monitor oven temperature.
2. **Temperature Control Knob**
Simple dial knob to select temperature settings.
3. **Manual Timer**
Timer range is 30 minutes. An audible signal (single chime) indicates selected time has elapsed. NOTE: TIMER DOES NOT TURN OVEN ON OR OFF.
4. **Power On/Off Switch with Indicator Light**
Main power control for oven.
5. **Oven Light On/Off Switch with Indicator Light**
Turns interior light on/off.
6. **Top Element On/Off Switch with Indicator Light**
Turn off for items that do not require full direct top heat.
7. **Bottom Element On/Off Switch with Indicator Light**
Turn off for items that do not require full direct bottom heat.
8. **Ceramic Pizza Deck**
18" x 18" Pizza Deck fits into base of oven's interior – maintains temperature very well and ensures that pizza cooks from the bottom as well as the top – pizza or bread can be placed directly on deck.
9. **Door Handle**
Heavy-duty, easy-to-grip design.
10. **Tempered Glass Door**
Lets you monitor the cooking process.
11. **Interior Light**
Replaceable bulb, removable heatproof glass bulb cover.
12. **Top Heating Element (not shown)**
Ideal for top browning; turn off when top heat is not required.
13. **Bottom Heating Element (not shown)**
Sits directly below pizza deck; turn off when bottom heat is not required.
14. **Rear Exhaust Vent (not shown)**
Directs any exhaust from cooking process to the side of unit and away from walls.
15. **Deck Cleaning Brush**
Features heavy-duty bristles and a scraper for cleaning the deck without damaging the ceramic.
16. **Adjustable Legs**
Four legs must be attached to oven before using (see Before Using Your Oven below).
17. **Power Cord**

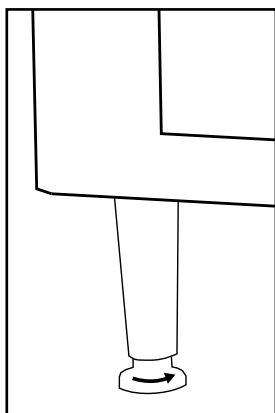
OVEN INSTALLATION

- **After removing the outer shipping carton and packaging material, place the oven on the floor or other flat surface.**
- Open oven and remove any instructions or packaging material shipped in the unit.
- With sufficient help, lift up the front of the oven and attach the two front legs (packed separately in styrofoam), carefully twisting each one into a corner and hand-tightening. Lift the back of the oven approximately 5 inches and block into position using a piece of wood or other solid object. Then, attach the two back legs and hand tighten.
- Move the oven to its final location. Adjust the bottom portion of the legs to level the unit (see fig. 1 on page 9).

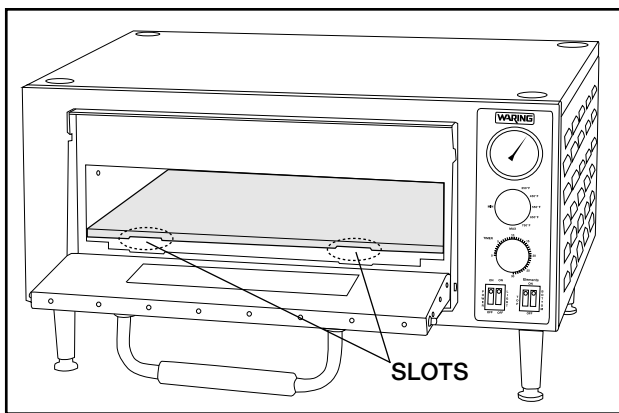
PIZZA CERAMIC DECK INSTALLATION & CONDITIONING

Read these instructions carefully before installing or conditioning the ceramic deck. New deck must be conditioned (pre-dried) prior to first use.

- **Handling the Ceramic Deck:** If deck is struck against hard surface before, during or after installation, it can develop a full or hairline crack which may expand over time and require you to replace it.
- **Installing the Deck:** Open the oven door and place ceramic pizza deck into the bottom **with the slots on front of deck facing front of oven.** Be sure the deck is firmly set in place. Do not force or wedge it (see fig. 2 on page 9).
- **Conditioning the Deck:** Pre-dry ceramic deck by carefully following instructions in the following section, **BEFORE USING YOUR PIZZA OVEN. NOTE: Failure to follow conditioning instructions will cause deck to crack or warp and will void warranty.**



(fig. 1)



(fig. 2)

BEFORE USING YOUR PIZZA OVEN

- Place oven in a well ventilated area to burn off any residual dust from manufacturing.
- Plug unit in, open door and set Temperature Control to 400°F (205°C). After one hour, close door and increase temperature to 500°F (260°C) for at least 1½ hours.

Note: The oven may emit an odor during this process; this is normal and not harmful, and should quickly dissipate.

- Turn off the oven and allow it to cool completely. Remove any smoke residue from the interior with a dry cloth.
- Place clean, cool oven in the area where it will be used. Be sure there is at least 6 inches' clearance between sides and top of oven and any wall or cabinet.
- Check to ensure nothing is blocking the exhaust vent on back of unit.

BAKING INSTRUCTIONS

NOTE: Only pizza and breads can be placed directly on the pizza deck. All other food items must be put onto a tray or into a container rated for high temperature use.

Set the Temperature Control Knob to the desired temperature to preheat oven. Watch the Temperature Gauge; when it reaches the temperature selected, the oven is ready to use.

The Pizza Oven can be used to bake both fresh and frozen products. Frozen items should go right from the freezer into the heated oven. Cooking time will vary depending on the consistency and weight of the product.

The temperature range for baking fresh pizza is usually between 500°F (260°C) and 575°F (300°C), depending on the individual product. Generally, frozen items are cooked at a lower temperature, but always follow recommended cooking instructions.

Bake pizza until the cheese bubbles and the bottom is evenly browned, rotating it during the baking process if necessary.

Open and close door quickly when putting pizza in oven to prevent heat from escaping, which can slow down cooking time.

TIPS AND HINTS

- Be sure ceramic pizza deck is dry. Wet spots or spills will cause food to stick.
- Never season the ceramic pizza deck with any type of baking oil.
- Increase temperature during heavy production times to maintain ideal baking temperature. Be sure to decrease it when rush slows to prevent burning.
- If toppings need more time to cook, a piece of screen placed under pizza can prevent bottom from overcooking.
- Pizza with heavy toppings requires a lower temperature and longer baking time.
- Scrape off burnt residue from pizza deck daily with deck brush provided. Buildup can cause an “off” flavor and increase bake time.
- Frozen items cannot be placed directly on hot deck to thaw. Place food onto a screen or into a pan.

USE AND CARE

Daily cleaning is suggested to keep oven performing at its best. ALLOW OVEN TO COOL COMPLETELY BEFORE CLEANING.

1. Always unplug the oven from the power source.
2. Do not use any sharp or hard kitchen utensils on the oven as this could damage the surface of the appliance.
3. To clean ceramic pizza deck, remove deck from cool oven. With the provided deck brush, scrape off hardened spillage. To clean heavily soiled decks, return deck to oven and run at highest temperature in a well-ventilated area for ½ hour. When oven and deck are cool, remove deck and brush off residue.

NOTE: Never use high-abrasion brushing or water to clean deck, or immerse or let any water or any other liquids come into contact with the ceramic deck. Any of these can cause deck to crack.

4. Wipe interior of oven with damp cloth, avoiding heating elements.
5. When cleaning stainless steel exterior, use stainless steel cleaner and wipe in the direction of the grain.
6. To clean the glass door, use a glass cleaner or damp cloth and dry with clean cloth.
7. When opening oven door, be sure to guide the door while lowering it. Doing so will prevent possible damage to the door jamb after an extended period of time.
8. For further information or to purchase additional accessories, please phone Waring Customer Service at 1-800-492-7464.

If there is something wrong with this product, please contact the SmartCare service call center at 1-800-822-2303 or e-mail servicerequest@smartcaresolutions.com.

If contacting via e-mail, please provide the following info:

Contact Name

Business name

Phone #

Model #

Address where unit is

When was oven purchased

Where oven was purchased

Problem you're having with the unit

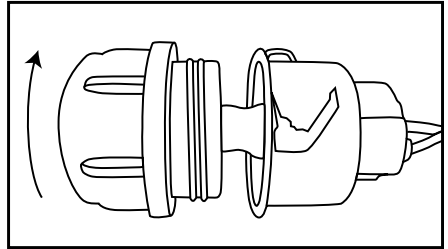
INSTALLING AND REPLACING OVEN LIGHT

(Bulb Type: G9 120V/25W Halogen – Can be purchased at local retail/home improvement stores)

A. Be Sure Oven is Completely Cool and Unplugged

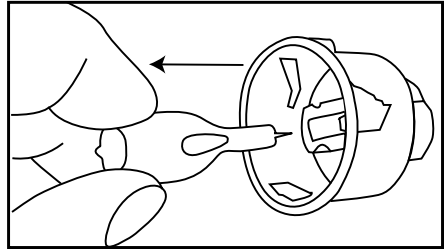
B. Remove the Glass Bulb Cover

Locate bulb cover in back right corner. Carefully twist counterclockwise and remove.



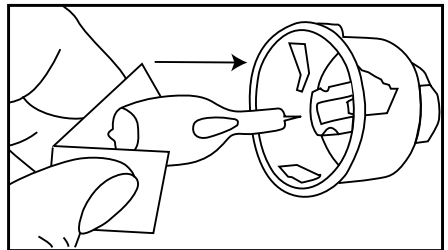
C. Remove Bulb

Grasp bulb and gently pull straight out to remove.



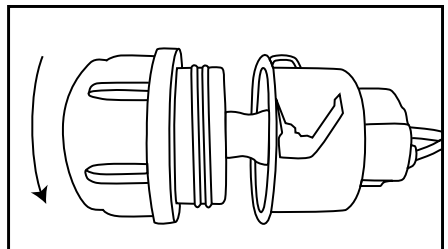
D. Replace Bulb

Without touching the bulb with bare hands (as this will reduce the lifespan), use a clean tissue or cloth glove to position new bulb carefully and push in to engage.



E. Re-attach Glass Bulb Cover

Twist bulb cover clockwise to secure.



SAFETY FEATURE

This Waring® Commercial Pizza Oven is equipped with the following feature to ensure safety:

Thermostat Overload Protection

If the unit heats up beyond the recommended temperature level, the oven will automatically turn off. To reset, turn main power switch to the OFF position, unplug the unit from the wall outlet and allow it to cool down. Once fully cooled down, plug the unit back into the wall outlet and turn main power on. If the unit will not turn back on, or continues to heat beyond the recommended temperature level, repeat steps above or call a Waring Certified Customer Service Center for assistance.

LIMITED ONE YEAR WARRANTY

Waring warrants every new Waring Commercial Product to be free from defects in material and workmanship for a period of one year from the date of purchase when used with foodstuffs.

This warranty covers on-site labor, parts and reasonable travel time and travel expenses of the authorized service representative up to (100) miles, round trip, and (2) hours travel time.

This warranty does not: a) apply to any product that has become worn, defective, damaged or broken due to use or due to repairs or servicing by other than the Waring Factory Service Center or an Authorized Service Representative, or due to abuse, misuse, improper installation, overloading or tampering; b) cover consequential damages of any kind.

The one year warranty is applicable only to equipment used in the United States; this supersedes all other express product warranty or warranty statements.

Warning: This warranty is void if equipment is used on Direct Current (DC).

Waring Commercial
314 Ella T. Grasso Ave.
Torrington, CT 06790
www.waringcommercialproducts.com

MEDIDAS DE SEGURIDAD IMPORTANTES

LEA TODAS LAS INSTRUCCIONES

Al usar aparatos eléctricos, siempre se deben tomar precauciones básicas de seguridad, entre ellas las siguientes:

1. Para evitar los riesgos eléctricos, no coloque el aparato en agua u otros líquidos.
2. NUNCA lo lave a presión; esto presenta un riesgo de lesiones graves o de muerte.
3. NO USE este aparato si el cable o el enchufe están dañados, después de un mal funcionamiento, después de una caída, o si está dañado; devuélvalo a un centro de servicio autorizado para su revisión, reparación o ajuste (eléctrico o mecánico).
4. No lo use en exteriores.
5. No permita que el cable cuelgue del borde de la encimera o de la mesa, ni que tenga contacto con superficies calientes.
6. El uso indebido o la instalación incorrecta de este producto pueden causar una descarga eléctrica, una herida o daños al aparato o a su propiedad.
7. Este horno de pizza es un aparato de servicio pesado diseñado para uso comercial. Ha sido diseñado para ser usado solamente por profesionales capacitados.
8. Para reducir el riesgo de incendio, instale este aparato en un ambiente no combustible. Deje un espacio libre de al menos 18 in (46 cm) en los costados, el frente y la parte trasera del aparato y de 40 in (1 m) arriba del aparato.
9. Limpie el horno antes del primer uso y después de cada uso, según se describe en la sección “LIMPIEZA Y MANTENIMIENTO”.
10. Siempre desenchufe el aparato cuando no esté en uso y antes de limpiarlo.
11. Permita que el aparato se enfríe antes de moverlo o limpiarlo. La superficie del aparato se pone muy caliente durante el uso y permanece caliente durante mucho tiempo después del uso.
12. No introduzca ningún objeto en los orificios de ventilación o de evacuación del aire; esto puede presentar un riesgo de descarga eléctrica, incendio o daño al aparato.

13. Nunca obstruya los orificios de ventilación, ni coloque el aparato sobre una superficie blanda, donde se puedan obstruir.
14. Los niños o las personas que carezcan de la experiencia o de los conocimientos necesarios para manipular el aparato, o aquellas cuyas capacidades físicas, sensoriales o mentales estén limitadas, no deben usar el aparato sin la supervisión o la dirección de una persona responsable por su seguridad.
15. Tenga mucho cuidado al poner en el horno envases de papel, cartón, plástico o materiales semejantes.

GUARDE ESTAS INSTRUCCIONES

APROBADO PARA USO COMERCIAL

ÍNDICE

Medidas de seguridad importantes	15
Instrucciones de puesta a tierra.....	17
Introducción	18
Piezas y accesorios.....	19
Instalación del horno	21
Preparación/Instalación de la piedra de pizza de cerámica	21
Antes del primer uso	22
Instrucciones de uso	22
Consejos y sugerencias	23
Instrucciones de uso	23
Instalación/Reemplazo de la bombilla	25
Mecanismos de seguridad	26
Garantía.....	27

INSTRUCCIONES DE PUESTA A TIERRA (MODELOS DE 120 V)

Para su protección, este aparato está equipado con un cable eléctrico con conductor de tierra.

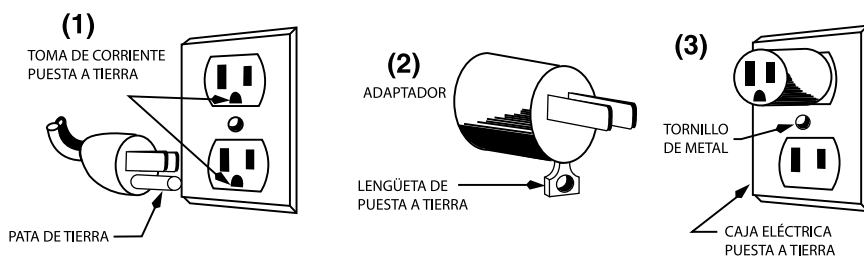
Los aparatos de 120 V cuentan con un enchufe de tierra de tres patas (NEMA 5-15P), el cual debe ser conectado a una la toma de corriente puesta a tierra (Fig. 1).

Si una toma de corriente puesta a tierra no está disponible, se podrá usar un adaptador para conectar el aparato a una toma de corriente polarizada (Fig. 2).

El adaptador debe ser puesto a tierra mediante un tornillo de metal que conecte la lengüeta del adaptador a la placa de la toma de corriente (Fig. 3).

Precaución: Antes de enchufar el adaptador, compruebe que la toma de corriente está puesta a tierra. Si no está seguro, comuníquese con un electricista. Nunca use un adaptador sin estar seguro/a de que la toma de corriente esté puesta a tierra.

Nota: Está prohibido usar un adaptador en Canadá y en Europa.



USO DE ALARGADORES

Use solamente cables alargadores/de extensión con puesta a tierra. Use solamente cables alargadores/de extensión diseñados para uso en interiores. La clasificación nominal del cable alargador/de extensión debe ser por lo menos igual a la del aparato. No use cables alargadores/de extensión dañados. Examine el cable alargador/de extensión antes de usarlo y reemplácelo si está dañado. No jale el cable para desconectar el cable alargador/de extensión; agárrelo por el enchufe. Mantenga el cable alejado de las fuentes de calor y de los objetos cortantes.

NOTA: Conecte el cable solamente a una toma de corriente de 120 V; no use el aparato con un convertidor de voltaje.

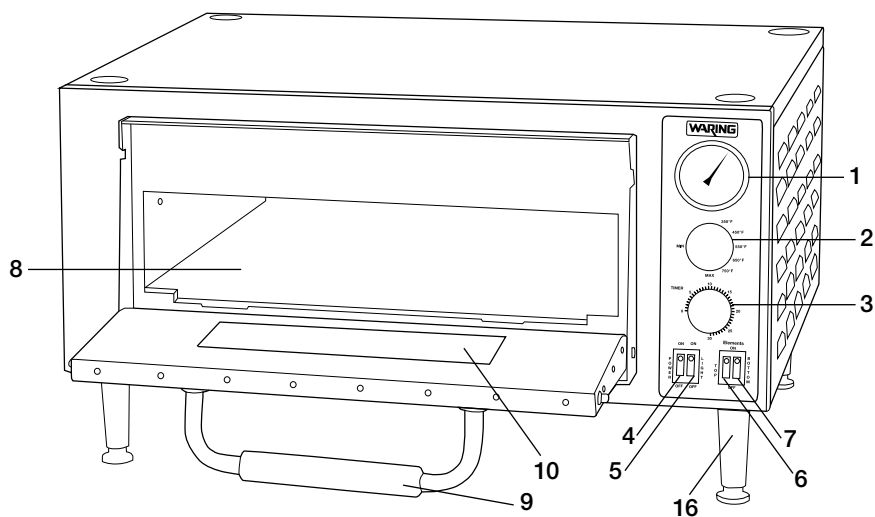
INTRODUCCIÓN

El horno de pizza Waring® Commercial con piedra de cerámica de 18 x 18 in (46 x 46 cm) es lo suficientemente espacioso para pizzas grandes y mantiene la temperatura constante, para una cocción uniforme tanto arriba como abajo.

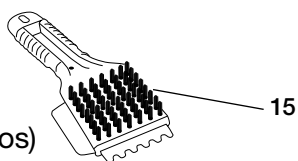
Una de las ventajas de la piedra de pizza sobre una placa de metal es que la cerámica absorbe la humedad, para una corteza más crujiente.

La temperatura ajustable desde 150 °F (65 °C) hasta más de 800 °F (425 °C) permite cocer una variedad de alimentos y cocer pizza rápidamente, ya sea esté hecha con masa fresca, masa congelada o masa precocinada. Los controles del horno han sido diseñados con un enfoque en la simplicidad. Incluyen interruptores con indicadores luminosos para encender/apagar el horno, la luz y las resistencias inferior y superior. Una tecnología térmica superior asegura un calentamiento rápido y un calor constante, para resultados excepcionales.

PIEZAS Y ACCESORIOS



1. Indicador de temperatura
2. Perilla de control de temperatura
3. Temporizador manual (hasta 30 minutos)
4. Botón de encendido/apagado del horno
5. Botón de encendido/apagado de la luz
6. Botón de encendido/apagado de la resistencia superior
7. Botón de encendido/apagado de la resistencia inferior
8. Piedra de cerámica para pizza (empaquetada por separado)
9. Asa de la puerta
10. Puerta de vidrio templado
11. Luz (no ilustrada)
12. Resistencia superior (no ilustrada)
13. Resistencia inferior (no ilustrada)
14. Placa de ventilación trasera (no ilustrada)
15. Cepillo de limpieza
16. Pies de altura ajustable (empaquetados por separado)
17. Cable (no ilustrado)



1. **Indicador de temperatura**
Permite controlar visualmente la temperatura del horno.
2. **Termostato/Control de temperatura**
Perilla fácil de usar.
3. **Temporizador manual**
Hasta 30 minutos. Una señal sonora (un pitido) indica el final del tiempo. NOTA: EL TEMPORIZADOR NO ENCIENDE/APAGA EL HORNO.
4. **Botón de encendido/apagado del horno con indicador luminoso**
Interruptor principal.
5. **Botón de encendido/apagado con indicador luminoso**
Permite encender/apagar la luz en el horno.
6. **Botón de encendido/apagado de la resistencia superior con indicador luminoso**
Permite apagar la resistencia superior cuando no se requiere calor desde arriba.
7. **Botón de encendido/apagado de la resistencia inferior con indicador luminoso**
Permite apagar la resistencia inferior cuando no se requiere calor desde abajo.
8. **Piedra de cerámica para pizza**
Placa de cerámica de 18 x 18 in (46 x 46 cm); mantiene la temperatura constante, para una cocción uniforme tanto arriba como abajo. Nota: El pan y la pizza pueden hornearse directamente en la piedra.
9. **Agarradera de la puerta**
Diseño resistente, aislante y de fácil agarre.
10. **Puerta de vidrio templado**
Permite observar el proceso de cocción.
11. **Luz**
Bombilla reemplazable y tapa de vidrio removible y resistente al calor.
12. **Resistencia superior (no ilustrada)**
Ideal para gratinar/dorar. Puede apagarse cuando no se necesita calor desde arriba.
13. **Resistencia inferior (no ilustrada)**
Situada debajo de la piedra de pizza. Puede apagarse cuando no se necesita calor desde abajo.
14. **Placa de ventilación trasera (no ilustrada)**
Dirige el aire caliente hacia los costados de la unidad, lejos de las paredes.
15. **Cepillo de limpieza**
Cuenta con resistentes cerdas y un raspador, para limpiar la piedra de pizza sin dañar la cerámica.
16. **Pies de altura regulable**
Sujete los cuatro pies al horno antes del primer uso (véase la sección "Antes del primer uso").
17. **Cable**

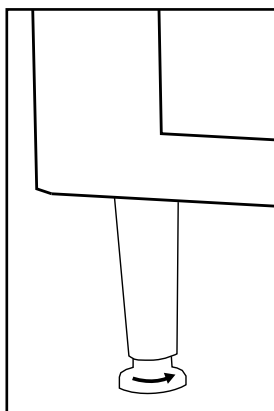
INSTALACIÓN DEL HORNO

- **Retire el material de embalaje y coloque el horno en el piso u otra superficie plana.**
- Abra el horno y retire el material ubicado en el mismo.
- Con la ayuda de otra persona, levante la parte delantera del horno y atornille los pies delanteros (empaquetados por separado) en las esquinas, apretando a mano. Levante la parte trasera del horno y coloque un bloque de madera u otro objeto similar debajo del horno para mantenerlo levantado. Sujete los pies traseros, apretando a mano.
- Coloque el horno en la ubicación deseada. Ajuste los pies para nivelar el aparato (Fig. 1, página 22).

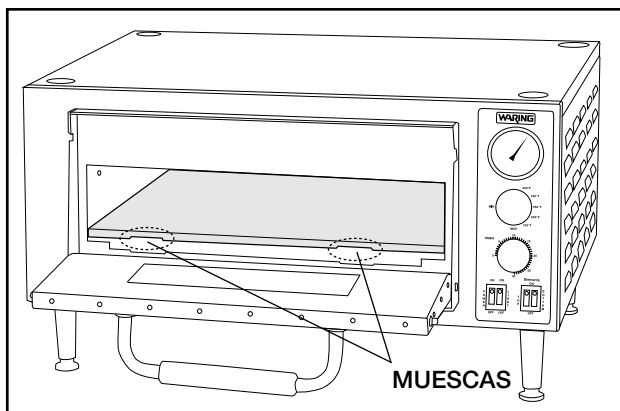
PREPARACIÓN/INSTALACIÓN DE LA PIEDRA DE PIZZA DE CERÁMICA

Lea atentamente estas instrucciones antes de instalar la placa de cerámica. Se debe presecar la piedra de pizza antes del primer uso.

- **Manejo de la piedra de pizza:** Tenga mucho cuidado al mover la piedra de pizza. Si la golpea contra una superficie dura antes, durante o después de la instalación, esto puede causar una fisura. Con el tiempo, esta fisura puede ensancharse, haciendo que se deba reemplazar la piedra.
- **Instalación de la piedra de pizza:** Abra la puerta del horno y coloque la piedra de cerámica en el piso del mismo, **las muescas apuntando hacia el frente**. Compruebe que la placa está seguramente instalada. No la meta a la fuerza (Fig. 2, página 22).
- **Preparación de la piedra de pizza:** Preseque la placa de cerámica, según se describe en la sección “ANTES DEL PRIMER USO”, a continuación. **NOTA: Si no sigue las instrucciones siguientes al pie de la letra, la placa puede agrietarse o deformarse; esto invalidará la garantía.**



(Fig. 1)



(Fig. 2)

ANTES DEL PRIMER USO

- Coloque el horno en un lugar bien ventilado y queme el polvo y otros residuos acumulados durante el proceso de fabricación.
- Enchufe el aparato en una toma de corriente, abra la puerta y ajuste la temperatura a 400 °F (205 °C). Después de una hora, cierre la puerta, ajuste la temperatura a 500 °C (260 °C) y deje el horno encendido por al menos 1½ horas.

Nota: Puede que un olor desagradable emane del horno durante este proceso; esto es normal. Este olor no es peligroso y se disipará rápidamente.

- Apague el horno y permita que se enfríe. Limpie la superficie interior del horno con un paño seco.
- Coloque el horno en la ubicación deseada. Cerciórese de dejar un espacio libre de al menos 6 in (15 cm) en cada lado y arriba del horno.
- Compruebe que la placa de ventilación trasera no está obstruida.

INSTRUCCIONES DE USO

NOTA: Solamente el pan y la pizza pueden cocinarse directamente en la piedra de pizza. Coloque los otros alimentos sobre una placa de metal o en una fuente apta para horno.

Elija la temperatura deseada, poniendo la perilla de control de temperatura en la posición deseada. Cuando la aguja del indicador de temperatura llegue a la temperatura deseada, el horno está listo.

Este horno de pizza puede usarse para hornear productos frescos o congelados. Meta los productos congelados al horno lo más pronto posible después de sacarlos del congelador. El tiempo de cocción variará según la consistencia y el peso del producto.

Para hornear pizza fresca, ajuste la temperatura entre 500 °F (260 °C) y 575 °F (300 °C), dependiendo del tipo de pizza. Por lo general, las pizzas congeladas requieren una temperatura más baja. Sin embargo, siempre siga las instrucciones de cocción de la pizza.

Hornee la pizza hasta que el queso burbujee y que la corteza esté bien dorada. De ser necesario, gire la pizza durante el horneado.

Abra y cierre la puerta rápidamente para evitar que el aire caliente se escape, lo que podría alargar el tiempo de cocción.

CONSEJOS Y SUGERENCIAS

- Compruebe que la piedra de cerámica para pizza está seca. Las zonas húmedas o los derrames harán que la pizza pegue a la piedra.
- Nunca aceite la piedra de cerámica para pizza.
- Aumente la temperatura durante los períodos de alto rendimiento para mantener la temperatura de horneado ideal. Cerciórese de bajar la temperatura otra vez cuando el ritmo de trabajo vuelva a la normalidad.
- Si la cobertura debe cocinarse por más tiempo, hornee la pizza en una placa perforada para evitar que se quemé.
- Las pizzas con muchas coberturas requieren una temperatura más baja y un tiempo de horneado más largo.
- Quite los residuos de la piedra con el raspador provisto todos los días. Los residuos de alimentos pueden alargar el tiempo de cocción y dar un mal sabor a la pizza.
- No coloque los alimentos congelados directamente en la piedra. Más bien, colóquelos en una placa perforada o una bandeja.

USO Y MANTENIMIENTO

Para mantener el horno en condición óptima, límpielo todos los días. **PERMITA QUE EL APARATO SE ENFRÍE COMPLETAMENTE ANTES DE LIMPIARLO.**

1. Siempre desenchufe el horno.
2. No use materiales abrasivos ni utensilios duros o cortantes; esto puede dañar la superficie del horno.
3. Para limpiar la piedra de cerámica, espere hasta que esté completamente fría y retírela del horno.

Quite los residuos con el raspador. Si la piedra está muy sucia, vuelva a meterlo al horno, ajuste la temperatura al nivel máximo y deje el horno encendido, en un lugar bien ventilado, por media hora. Permita que el horno y la piedra se enfríen, retire la piedra y quite los residuos con el cepillo de limpieza. NOTA: Nunca cepille la piedra con mucha fuerza, use agua u otro líquido para limpiarla, ni permita que se moje; esto puede causar una fisura o una fractura.

4. Limpie el interior del horno con un paño húmedo, teniendo cuidado de no tocar las resistencias.
5. Limpie el exterior del horno con un producto para el acero inoxidable, restregando en la sentido de la veta.
6. Limpie la puerta de vidrio con un paño humedecido con agua o con producto para limpiar el vidrio; séquela con un paño limpio.
7. Sostenga la puerta hasta el final al abrirla; esto evitará que la jamba se dañe con el tiempo.
8. Para más información o para pedir accesorios adicionales, llame a nuestro servicio de atención al cliente al 1-800-492-7464.

En caso de problema técnico, comuníquese con el centro de servicio SmartCare llamando al 1-800-822-2303 o escribiendo a: servicerequest@smartcaresolutions.com.

Si se pone en contacto con nosotros por correo electrónico, proporcione la siguiente información:

Nombre y apellido
Nombre del negocio
N.º de teléfono
N.º de modelo
Dirección de instalación
Fecha de compra
Lugar de compra
Descripción del problema

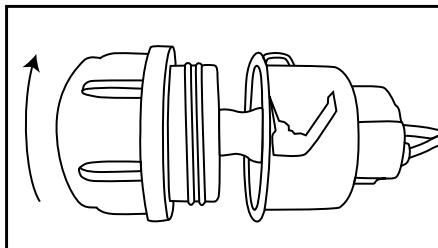
INSTALACIÓN/REEMPLAZO DE LA BOMBILLA

Tipo de bombilla: Bombilla halógena G9 de 25 W (120 V), disponible en las ferreterías y tiendas de bricolaje.

A. Desconecte el horno y permita que se enfríe

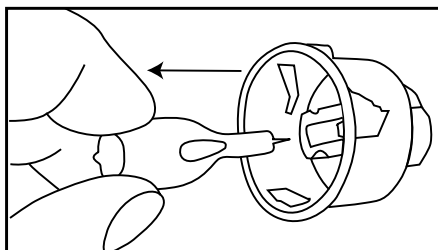
B. Retire la tapa de vidrio

La luz se encuentra en el fondo del horno, a mano derecha. Gire con cuidado la cubierta en sentido antihorario y retirarla.



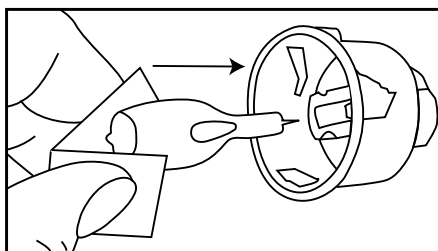
C. Retire la bombilla

Agarre la bombilla y jale suavemente.



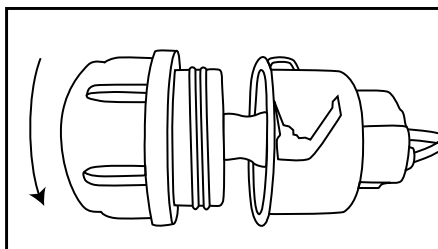
D. Cambie la bombilla

Sostenga la bombilla con un paño limpio o un guante (sostenerla con la mano reduce su vida útil) e introdúzcala en la cavidad, empujando.



E. Vuelva a instalar la tapa de vidrio

Gire en sentido horario para sujetar.



MECANISMO DE SEGURIDAD

Para su seguridad, este horno de pizza Waring® Commercial cuenta con el mecanismo de seguridad siguiente:

Dispositivo de protección contra el sobrecalentamiento

Este dispositivo apaga automáticamente el aparato en caso de sobrecalentamiento. En caso de que esto suceda, ponga la perilla de control de temperatura en la posición “OFF”, desenchufe el cable y permita que el aparato se enfríe. Una vez que se haya enfriado completamente, vuelva a enchufar el aparato y enciéndalo. Si el aparato no se enciende o si se sobrecalienta otra vez, repita el proceso o comuníquese con un centro de servicio autorizado.

GARANTÍA LIMITADA DE UN AÑO

Waring garantiza todo nuevo producto Waring® Commercial contra todo defecto de materiales o fabricación durante un año a partir de la fecha de compra, siempre que haya sido usado solamente con alimentos.

Esta garantía cubre la mano de obra in situ, los repuestos y los gastos de viaje del técnico autorizado, hasta 2 horas y 100 millas (156 km) ida y vuelta.

Esta garantía: a) no se aplica a ningún producto desgastado, defectuoso, dañado o roto debido a uso, reparaciones/servicio realizados por personas no autorizadas, o abuso, mal uso, instalación incorrecta, sobrecarga eléctrica o daños intencionales; b) no cubre daños incidentales o consecuentes de ningún tipo.

Esta garantía es válida solamente para los aparatos comprados en los Estados Unidos y reemplaza todas las demás declaraciones expresas de garantía.

Advertencia: Usar este aparato con corriente continua (C.C./DC) invalidará la garantía.

Waring Commercial
314 Ella T. Grasso Ave.
Torrington, CT 06790
www.waringcommercialproducts.com

IMPORTANTES CONSIGNES DE SÉCURITÉ

LIRE TOUTES LES INSTRUCTIONS

L'utilisation d'appareils électriques requiert la prise de précautions élémentaires, parmi lesquelles les suivantes :

1. Afin d'éviter les risques de choc électrique, ne jamais placer l'appareil dans l'eau ou tout autre liquide.
2. Ne JAMAIS laver l'appareil à pression ; risque de blessure grave ou de mort.
3. NE PAS UTILISER l'appareil si le cordon d'alimentation ou la fiche sont endommagés, s'il ne fonctionne pas correctement, s'il est abîmé ou après qu'il est tombé ; le retourner à un centre de service autorisé afin qu'il soit inspecté, réparé ou réglé au besoin.
4. Ne pas utiliser l'appareil à l'extérieur.
5. Ne pas laisser le cordon pendre d'une table ou d'un plan de travail, ni entrer en contact avec des surfaces chaudes.
6. L'installation ou l'utilisation incorrecte de l'appareil présente un risque de choc électrique, de blessures ou de dommages.
7. Ce four à pizza est un appareil à haut-rendement destiné à l'usage commercial. Il est conçu pour être utilisé uniquement par des professionnels ayant reçu une formation à son emploi.
8. Afin d'éviter tout risque d'incendie, maintenir l'appareil éloigné de tout matériau inflammable. Laisser un espace libre d'au moins 18 po (46 cm) sur les côtés, à l'avant et à l'arrière de l'appareil et d'au moins 40 po (1 m) au-dessus de l'appareil.
9. Nettoyer le four avant la première utilisation, et après chaque utilisation (cf. la section "NETTOYAGE ET ENTRETIEN")
10. Débrancher l'appareil quand vous ne l'utilisez pas et avant toute manipulation ou entretien.
11. Laisser l'appareil refroidir avant de le déplacer ou de le nettoyer. L'appareil devient très chaud pendant l'utilisation et reste chaud pendant longtemps après l'utilisation.
12. N'introduire aucun objet dans les orifices de ventilation ou d'évacuation d'air ; cela présente un risque de choc électrique, d'incendie ou de dommages.

13. Ne pas obstruer les orifices de ventilation ou placer l'appareil sur une surface molle, où ils pourraient se boucher.
14. Cet appareil ne devrait pas être utilisé par des enfants ou des personnes atteintes de certains handicaps physiques, mentaux ou sensoriels, ou qui ne disposent pas des connaissances ou de l'expérience nécessaires, à moins qu'une personne responsable de leur sécurité leur en ait expliqué le fonctionnement ou les encadre.
15. Faire preuve d'une extrême prudence lorsque vous mettez au four des contenants en papier, carton, matières plastiques ou matériaux similaires.

CONSERVER CES INSTRUCTIONS

USAGE COMMERCIAL AUTORISÉ

TABLE DES MATIÈRES

Importantes consignes de sécurité.....	28
Instructions de mise à la terre.....	30
Introduction.....	31
Pièces et accessoires.....	32
Installation du four.....	34
Préparation/Installation de la pierre en céramique.....	34
Avant la première utilisation.....	35
Fonctionnement.....	35
Conseils utiles.....	36
Nettoyage et entretien.....	36
Installation/Remplacement de l'ampoule d'éclairage.....	38
Dispositifs de sécurité.....	39
Garantie.....	40

INSTRUCTIONS DE MISE À LA TERRE (APPAREILS DE 120 V)

Pour votre protection, cet appareil est doté d'un cordon avec mise à la terre.

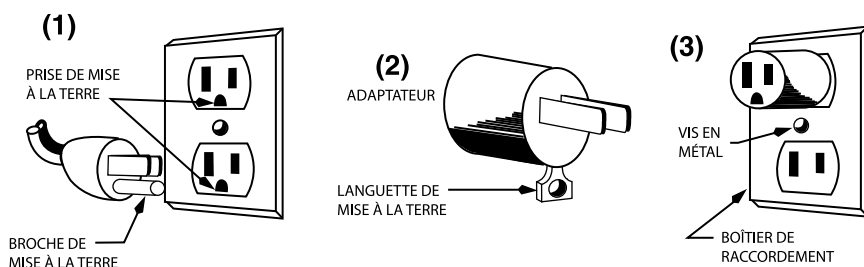
Les appareils de 120 V sont équipés d'une fiche à trois broches avec mise à la terre de type NEMA 5-15P. La fiche doit être branchée dans une prise de terre correctement configurée (Fig. 1).

Vous pouvez utiliser un adaptateur temporaire (Fig. 2) pour brancher l'appareil dans une prise polarisée jusqu'à ce que vous fassiez installer une prise de terre par un électricien.

Afin d'assurer la mise à la terre, la languette de l'adaptateur doit être fixée au boîtier par une vis en métal (Fig. 3).

Mise en garde : Vérifier que le boîtier de la prise de courant est mis à la terre avant d'y brancher l'adaptateur. En cas de doute, demander conseil à un électricien. Ne jamais utiliser un adaptateur, à moins qu'il ne soit correctement mis à la terre.

Remarque : L'utilisation d'un adaptateur comme celui mentionné ci-dessus est interdite au Canada et en Europe.



TYPE DE RALLONGES ÉLECTRIQUES

S'il est absolument nécessaire d'utiliser une rallonge électrique, utiliser une rallonge munie d'une fiche à trois broches avec mise à la terre compatible avec la prise de terre du cordon. Utiliser une rallonge d'intérieur uniquement. Veiller à ce que la tension nominale de la rallonge soit égale ou supérieure à celle de l'appareil. Ne pas utiliser de rallonges abîmées. Vérifier l'état de la rallonge avant de l'utiliser ; la remplacer en cas de dommage.

Ne pas tirer la rallonge ou le cordon pour les débrancher. Maintenir la rallonge éloignée des surfaces chaudes ou coupantes.

REMARQUE : Utiliser cet appareil sur courant de 120 V uniquement. Ne pas l'utiliser avec un convertisseur de tension.

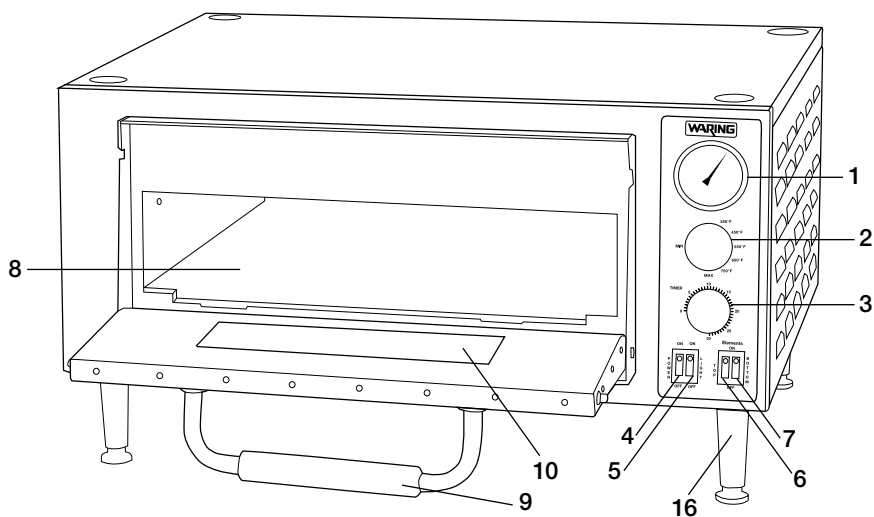
INTRODUCTION

Le four à pizza Waring® Commercial avec pierre en pizza en céramique de 18 x 18 po (46 x 46 cm) est assez spacieux pour les grandes pizzas et maintient le niveau de température, pour assurer une cuisson uniforme en-dessous comme au-dessus.

Un des principaux avantages de la pierre à pizza sur une plaque en métal est la façon dont la céramique absorbe l'humidité, pour une croûte plus croustillante.

La température réglable de 150 °F (65 °C) à plus de 800 °F (425 °C) permet de cuire une grande variété d'aliments et de cuire les pizzas rapidement, que la pâte soit fraîche, congelée ou précuite. Les commandes du four sont conçues pour un maximum de simplicité, avec des commutateurs et des voyants lumineux pour la mise sous tension, l'éclairage et les résistances supérieure et inférieure. Une technologie thermique supérieure assure un chauffage et une récupération de la chaleur rapides, pour des températures constantes et des résultats exceptionnels.

PIÈCES ET ACCESSOIRES



1. Indicateur de température
2. Bouton de réglage de la température
3. Minuterie manuelle (jusqu'à 30 minutes)
4. Bouton de mise sous/hors tension
5. Bouton d'éclairage
6. Bouton de contrôle de la résistance supérieure
7. Bouton de contrôle de la résistance inférieure
8. Pierre à pizza en céramique (emballée séparément)
9. Poignée de porte
10. Porte en verre trempé
11. Éclairage intérieur (non illustré)
12. Résistance supérieure (non illustrée)
13. Résistance inférieure (non illustrée)
14. Plaque de ventilation arrière (non illustrée)
15. Brosse de nettoyage
16. Pieds à hauteur réglable (emballés séparément)
17. Cordon d'alimentation (non illustré)

1. **Indicateur de température**
Permet de contrôler visuellement la température du four.
2. **Bouton de réglage de la température**
Bouton de réglage facile à utiliser.
3. **Minuterie manuelle**
Jusqu'à 30 minutes. Un signal sonore (un bip) indique que le temps est écoulé. REMARQUE : LA MINUTERIE N'ALLUME/N'ÉTEINT PAS LE FOUR.
4. **Bouton de mise sous/hors tension avec voyant lumineux**
Contrôle d'alimentation principal.
5. **Bouton d'éclairage avec voyant lumineux**
Permet d'allumer et d'éteindre l'éclairage intérieur.
6. **Bouton de contrôle de la résistance supérieure avec voyant lumineux**
Permet d'éteindre la résistance supérieure lors de la cuisson d'aliments n'ayant pas besoin de cuire par le haut.
7. **Bouton de contrôle de la résistance inférieure avec voyant lumineux**
Permet d'éteindre la résistance inférieure lors de la cuisson d'aliments n'ayant pas besoin de cuire par le bas.
8. **Pierre à pizza en céramique**
Plaque en céramique de 18 x 18 po (46 x 46 cm) ; maintient la température pour une cuisson uniforme en-dessous comme au-dessus.
9. **Poignée de porte**
Solide et confortable.
10. **Porte en verre trempé**
Permet de surveiller la cuisson.
11. **Éclairage intérieur**
Ampoule remplaçable et couvre-ampoule en verre, amovible et thermorésistant.
12. **Résistance supérieure (non illustrée)**
Idéale pour dorer/gratiner. Éteindre lorsque la cuisson par le haut n'est pas nécessaire.
13. **Résistance inférieure (non illustrée)**
Juste en-dessous de la pierre à pizza. Éteindre lorsque la cuisson par le bas n'est pas nécessaire.
14. **Plaque de ventilation arrière (non illustrée)**
Dirige l'air chaud vers les côtés de l'appareil, loin des murs.
15. **Brosse de nettoyage**
Pois durs résistants et racloir, pour nettoyer la pierre à pizza sans endommager la céramique.
16. **Pieds à hauteur réglable**
Monter les quatre pieds au four avant l'utilisation (cf. la section "Avant la première utilisation").
17. **Cordon d'alimentation**

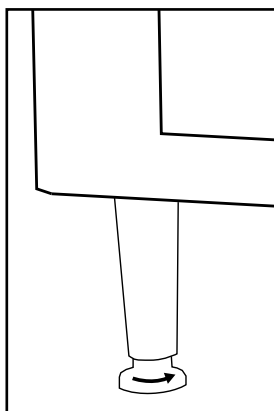
INSTALLATION DU FOUR

- **Retirer le matériel d'emballage et placer le four par terre ou sur une autre surface plate.**
- Ouvrir le four et retirer le matériel qui se trouve à l'intérieur.
- Avec l'aide d'une autre personne, soulever l'avant du four et visser les deux pieds de devant (emballés séparément) à chaque coin du four, en serrant à la main. Soulever l'arrière du four d'env. 5 po (13 cm) et placer un morceau de bois ou un objet similaire sous le four pour le maintenir soulevé. Visser les deux pieds de derrière, en serrant à la main.
- Placer le four à l'endroit voulu. Régler la hauteur des pieds pour niveler l'appareil (Fig. 1, page 35).

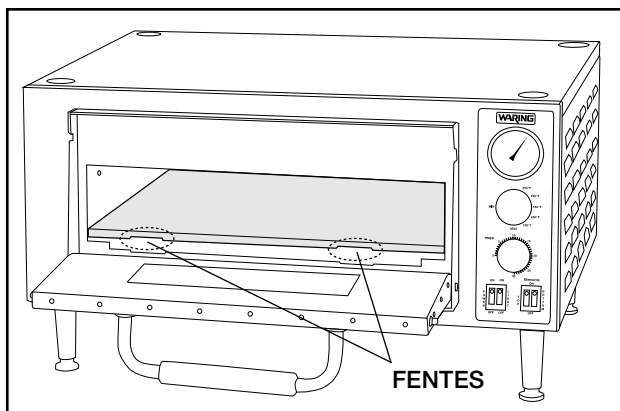
INSTALLATION ET PRÉPARATION DE LA PIERRE À PIZZA EN CÉRAMIQUE

Lire attentivement ces instructions avant d'installer la plaque en céramique. La pierre à pizza doit être préséchée avant la première utilisation.

- **Manipulation de la pierre à pizza :** Faire très attention lorsque vous déplacez la pierre à pizza ; si vous la heurtez contre une surface dure avant, pendant ou après l'installation, elle peut développer une fissure qui peut s'élargir avec le temps. Si cela se produisait, vous devrez la remplacer.
- **Installation de la pierre à pizza :** Ouvrir la porte du four et installer la pierre en bas du four, **les fentes vers le devant**. Vérifier que la pierre est bien en place. Ne pas l'enfoncer de force (Fig. 2, page 35).
- **Préparation de la pierre à pizza:** Présécher la plaque en céramique, comme décrit dans la section "AVANT LA PREMIÈRE UTILISATION", ci-dessous. **REMARQUE : Le non-respect de ces instructions peut provoquer une fracture ou une déformation de la pierre à pizza et annulera la garantie.**



(Fig. 1)



(Fig. 2)

AVANT LA PREMIÈRE UTILISATION

- Placer le four dans un endroit bien aéré et brûler toute trace de poussière résiduelle provenant de la fabrication.
- Brancher l'appareil, ouvrir la porte du four et régler la température sur 400 °F (200 °C). Au bout d'une heure, fermer la porte, régler la température sur 500 °F (260 °C) et laisser le four allumé pendant au moins 1½ heure.

Remarque : Il se peut qu'une odeur désagréable émane du four pendant ce processus ; cela est normal. Cette odeur n'est pas dangereuse et se dissipera rapidement.

- Éteindre le four et le laisser refroidir. Essuyer l'intérieur du four à l'aide d'un linge sec.
- Placer le four à l'endroit voulu. Laisser un espace libre d'au moins 6 po (15 cm) de chaque côté et au-dessus du four.
- Vérifier que la plaque d'évacuation d'air à l'arrière de l'appareil n'est pas obstruée.

FONCTIONNEMENT

REMARQUE : Seuls la pizza et le pain peuvent être cuits directement sur la pierre à pizza. Placer les autres aliments sur une plaque de cuisson ou dans un moule pouvant supporter des températures élevées.

Régler le thermostat au niveau voulu et préchauffer le four. Une fois que l'aiguille de l'indicateur de température est sur la température voulue, le four est prêt.

Ce four à pizza peut s'utiliser pour cuire des produits frais ou congelés. Mettre les produits congelés au four aussitôt sortis du congélateur. Le temps de cuisson variera selon la consistance et le poids des aliments.

Pour cuire une pizza fraîche, régler la température entre 500 °F (260 °C) et 575 °F (300 °C), selon le type de pizza. Les pizzas congelées peuvent généralement cuire à une moindre température. Toutefois, toujours suivre les instructions de cuisson.

Cuire la pizza jusqu'à ce que le fromage bouillonne et que la croûte soit bien dorée. Remarque : La tourner pendant la cuisson au besoin.

Ouvrir et refermer la porte du four rapidement lorsque vous enfournez la pizza pour éviter une baisse de température, ce qui pourrait allonger le temps de cuisson.

CONSEILS UTILES

- Vérifier que la pierre à pizza en céramique est sèche, ou les aliments colleront à la surface.
- Ne jamais graisser la pierre à pizza en céramique.
- Augmenter la température pendant les périodes de haut rendement pour maintenir la température de cuisson idéale. Baisser la température une fois le rythme revenu à la normale.
- Si la garniture doit cuire pendant longtemps, faire cuire la pizza sur une plaque perforée pour éviter que la pâte ne cuise trop.
- Les pizzas bien garnies ont besoin d'une température de cuisson plus basse et d'un temps de cuisson plus long.
- Nettoyer la pierre à pizza chaque jour, à l'aide de la brosse de nettoyage. Les résidus peuvent allonger le temps de cuisson et donner mauvais goût à la pizza.
- Ne pas placer les articles congelés directement sur la pierre à pizza ; les placer sur une plaque perforée ou dans un moule.

UTILISATION ET ENTRETIEN

Pour un fonctionnement optimal, il est conseillé de nettoyer le four tous les jours. **LAISSER LE FOUR REFROIDIR COMPLÈTEMENT AVANT DE LE NETTOYER.**

1. Débrancher le cordon d'alimentation de la prise de courant.
2. Ne pas utiliser de matériaux abrasifs ni d'ustensiles durs ou coupants ; cela pourrait abîmer la surface du four.

3. Pour nettoyer la pierre à pizza en céramique, la retirer du four. Éliminer les résidus à l'aide du racloir. Si la pierre à pizza est très sale, la remettre au four, régler la température au niveau maximum et laisser le four allumé pendant ½ heure, dans un endroit bien ventilé. Laisser le four et la pierre refroidir, retirer la pierre du four et éliminer les résidus à l'aide de la brosse de nettoyage. REMARQUE : Ne jamais frotter trop vigoureusement la pierre, ne jamais la mouiller et ne jamais la nettoyer à l'eau ou tout autre liquide ; cela pourrait la fissurer ou la craquer.
4. Nettoyer l'intérieur du four avec un linge humide, en évitant de toucher les résistances.
5. Nettoyer l'extérieur du four avec un nettoyant spécial acier inoxydable, en frottant dans le sens du grain.
6. Nettoyer la porte en verre à l'aide d'un linge légèrement humide ou imbibé de produit pour vitres, puis la sécher avec un linge propre.
7. Soutenir la porte jusqu'en bas lorsque vous l'ouvrez ; cela évitera que le montant de la porte s'abîme avec le temps.
8. Pour plus d'informations ou pour acheter des accessoires, contacter notre service après-vente au 1-800-492-7464.

En cas de problème technique, contacter le service d'attention à la clientèle SmartCare au 1-800-822-2303 ou par courriel à : servicerequest@smartcaresolutions.com.

Si vous nous contactez par courriel, veuillez fournir les informations suivantes :

Nom et prénom

Nom du commerce

Téléphone

N ° de modèle

Adresse d'installation de l'appareil

Date d'achat

Lieu d'achat

Description du problème

INSTALLATION/REEMPLACEMENT DE L'AMPOULE D'ÉCLAIRAGE

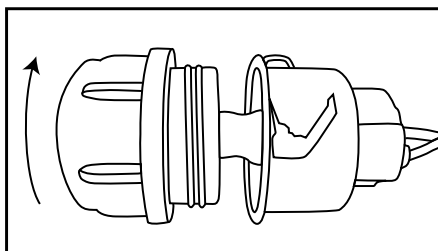
Type d'ampoule : Ampoule halogène G9 de 25 W ; 120 V

Remarque : Ces ampoules sont disponibles en quincaillerie/magasin de bricolage.

A. Débrancher le four et le laisser refroidir complètement

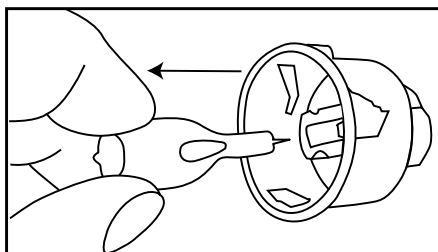
B. Retirer le couvre-ampoule en verre

L'éclairage se trouve au fond du four, du côté droit. Dévisser dans le sens inverse des aiguilles d'une montre et retirer.



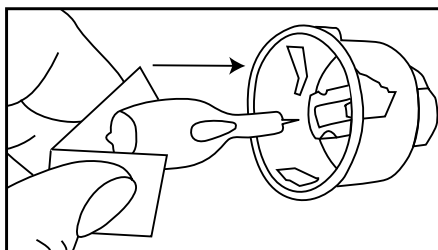
C. Retirer l'ampoule

Saisir l'ampoule et tirer doucement.



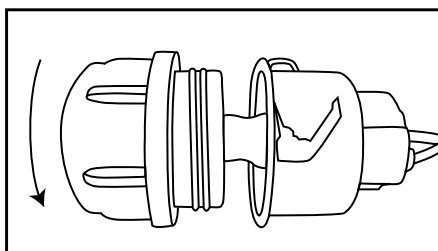
D. Installer une nouvelle ampoule

Saisir l'ampoule avec un mouchoir en papier ou un gant (la toucher à main nue réduira sa durée de vie) et l'introduire dans la cavité.



E. Remettre le couvre-ampoule en verre en place

Visser le couvre-ampoule dans le sens des aiguilles d'une montre pour le fixer.



DISPOSITIF DE SÉCURITÉ

Ce four à pizza Waring® Commercial est équipé du dispositif de sécurité suivant :

Protection anti-surchauffe

L'appareil s'éteindra automatiquement en cas de surchauffe. Avant de remettre l'appareil en marche, mettre l'interrupteur principal sur "OFF", débrancher le cordon de la prise de courant et laisser l'appareil refroidir. Une fois refroidi, brancher et allumer l'appareil. Si l'appareil ne fonctionne pas ou continue de surchauffer, répéter l'opération ou contacter un centre de service autorisé.

GARANTIE LIMITÉE D'UN AN

Waring garantit tout nouvel appareil Waring Commercial contre tout vice de matière ou de fabrication pendant une période d'un an suivant sa date d'achat, à condition qu'il ait été utilisé uniquement avec des produits alimentaires.

Cette garantie couvre le travail sur place, les pièces de rechange et les frais de déplacement du technicien autorisé à hauteur de 2 heures et 100 miles (160 km) aller-retour.

Cette garantie a) n'est pas valable si l'appareil est endommagé, cassé, détérioré ou s'il affiche un vice ou défaut résultant de l'utilisation, de l'entretien ou de la réparation par des personnes non autorisées, ou consécutif à l'usage abusif ou inapproprié, à l'installation incorrecte à une surcharge électrique ou à la modification de l'appareil ; b) ne couvre aucun dommage accessoire ou indirect.

Cette garantie d'un an n'est valable que sur les appareils utilisés aux États-Unis et abroge toute autre garantie formelle ou tout autre accord de garantie.

Avertissement : Brancher cet appareil sur Courant Continu (C.C.) annulera la garantie.

Waring Commercial
314 Ella T. Grasso Ave.
Torrington, CT 06790
www.waringcommercialproducts.com

©2022 Waring Commercial
314 Ella T. Grasso Ave
Torrington, CT 06790

1-800-4-WARING
www.waringcommercialproducts.com

Printed in China
Impreso en la China
Imprimé en Chine

WPO500 IB
22WC084992

IB-12464A