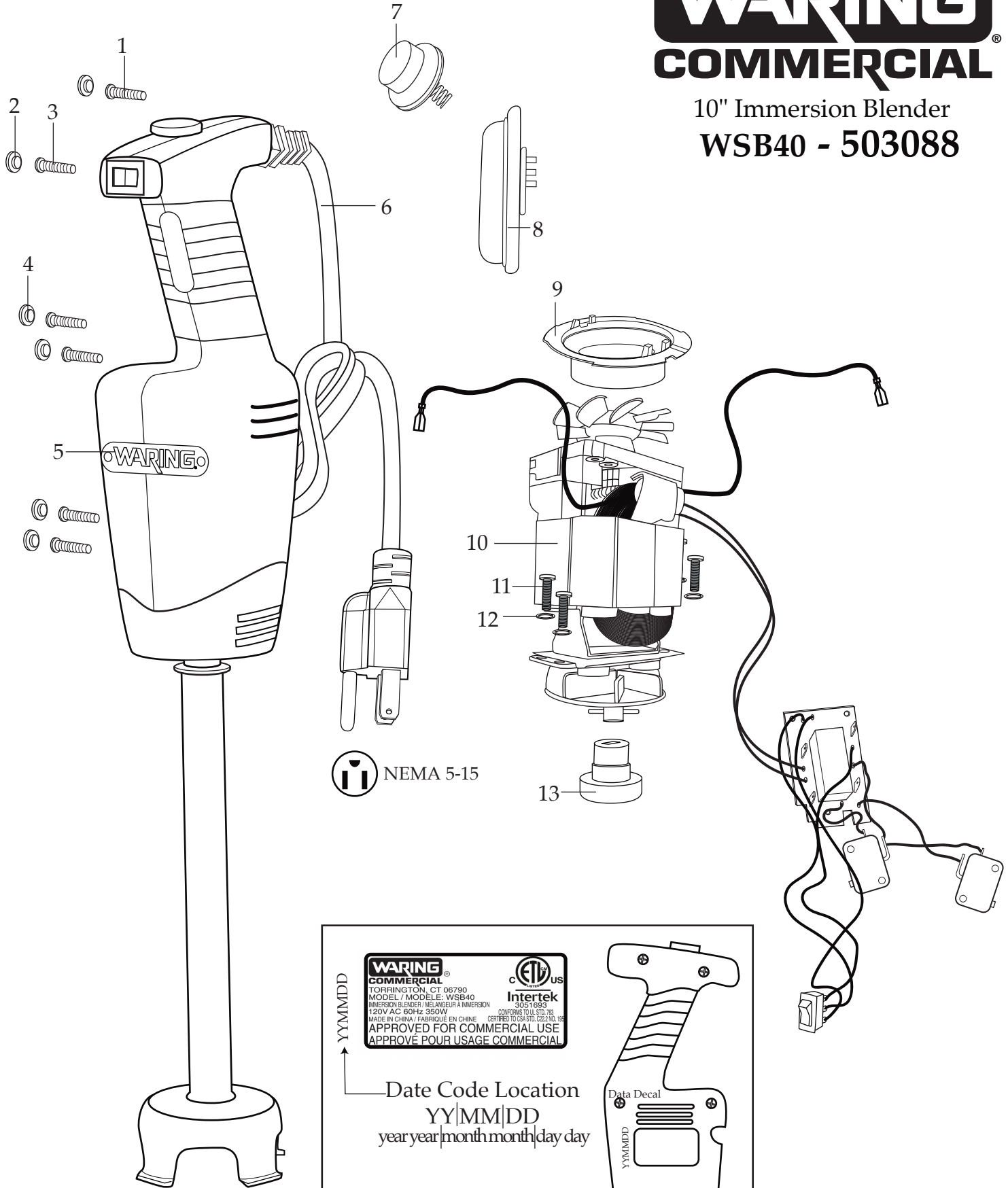


WARING COMMERCIAL®

10" Immersion Blender
WSB40 - 503088



Illustration#	Part#	Description
1	038218	Screw / phillips (3 required)
2	029839	Hole Plug (2 required)
3	038217	Screw / tamper proof (3 required)
4	038228	Hole Plug (4 required)
5	033121	Badge
6	038227	Cord
7	038223	Button Assembly
8	038224	Trigger Assembly
9	038226	Baffle
10	038225	Motor Assembly
11	038219	Screw (4 required 2 on each side)
12	038220	Spring Washer (4 required 2 on each side)
13	038222	Coupling