



WDG300

Panini Ottimo® Double Italian-Style Panini/Flat Grill



MAIN FEATURES

- Ribbed, cast iron cooking plate on one side, flat cast iron plate on the other for versatile cooking options
- 17" x 9.25" cooking surface, great for grilled panini sandwiches, hamburgers, chicken, vegetables and more
- Brushed stainless steel body construction and removable drip tray
- Hinged, auto-balancing top plate to handle foods up to 3" thick
- Thermostat is adjustable to 570°F for slow-to-quick cooking times
- Adjustable back feet for easy grease drainage
- Dual power ON and READY indicator lights
- Heat-resistant handles, no need for mitts or potholders
- Limited One Year Warranty

ELECTRICAL

Voltage: 240

Frequency: 60Hz

Watts: 3200

Amps: 13.3

Plug Type: NEMA 6-20P 

Cord Length: 6.6 feet



SALES FEATURES

Make all your signature sandwiches and more with the 240V Waring®; WDG300 Double Italian-Style Panini/Flat Grill. Combination flat/ribbed cast-iron plates heat evenly and quickly cook sandwiches, burgers, chicken, and vegetables up to 3" thick. The brushed stainless steel body and removable drip tray are easy to clean. Includes adjustable thermostat to 570°F, plus POWER and READY indicator lights.



@waringcommercial

©2020 Waring Commercial
314 Ella T. Grasso Avenue, Torrington, CT 06790
Tel. 800-492-7464 • Fax 860-496-9008

waringcommercialproducts.com

Panini Ottimo® Double Italian-Style Panini/Flat Grill

WDG300



Panini Ottimo® Double Italian-Style Panini/Flat Grill WDG300

INCLUDED ACCESSORIES



CAC105 Cleaning Brush

OPTIONAL ACCESSORIES



CAC144 Silicone Spatula
for use with
Nonstick PTFE Sheets



029824 Allen Wrench



035551 Allen Wrench Holder

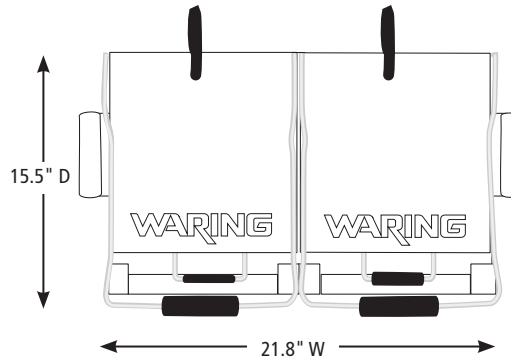
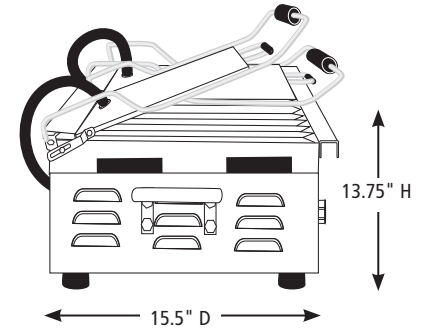
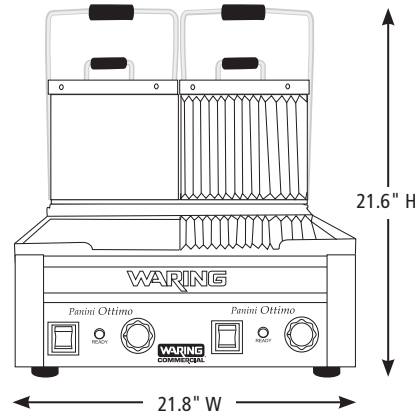


CAC172 Conversion Kit
with Clips and
3-Pack PTFE Sheets
(6 upper and
3 lower sheets)



CAC179 3-pack of
Custom PTFE Sheets
(6 upper and
3 lower sheets)

DIMENSIONS



Out of Box Weight: 75 lb.

ORDERING INFORMATION	#STD. PKG.	GIFTBOX WEIGHT	CUBIC FEET	BOX DIMENSIONS D X W X H	UPC	CASE PKG.	MC WEIGHT	MC DIMENSIONS D X W X H	MBC
WDG300 – Panini Ottimo® Double Italian-Style Panini/Flat Grill	1	78.9	3.55	23.125" x 19.125" x 13.875"	040072008276	1	81.9	24" x 20.375" x 14.375"	10040072008273



@waringcommercial

©2020 Waring Commercial
314 Ella T. Grasso Avenue, Torrington, CT 06790
Tel. 800-492-7464 • Fax 860-496-9008

waringcommercialproducts.com

20WC071648 / REV 06/20