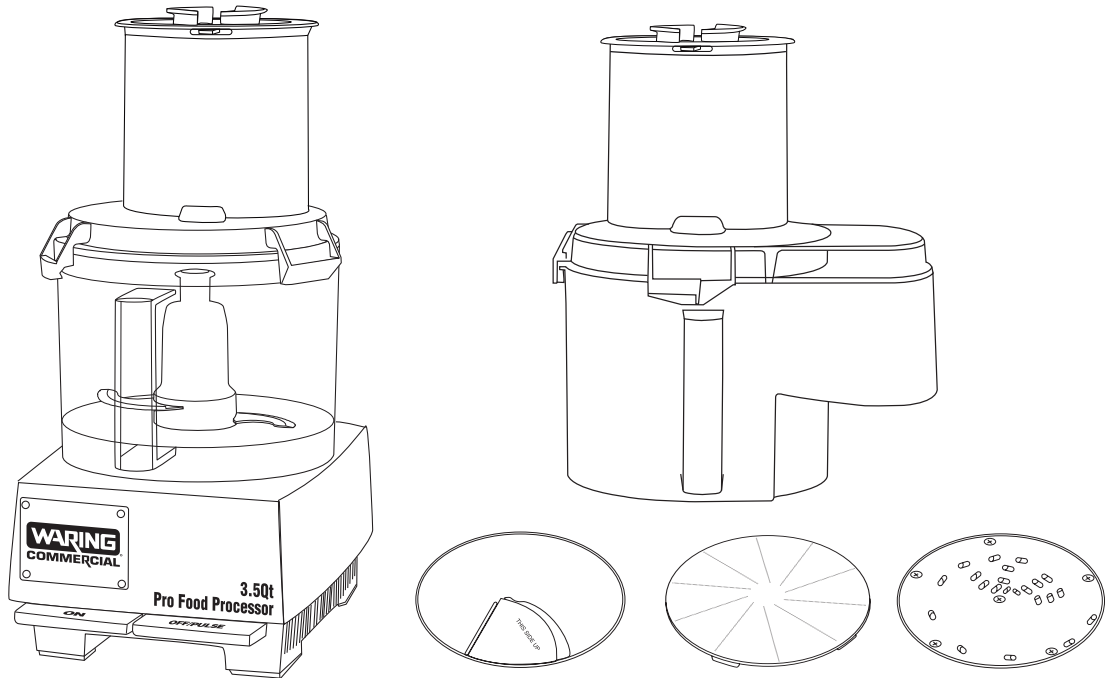


# WARING COMMERCIAL®



Intertek



## Operation Manual for Waring WFP14SC Food Processor

Manuel d'utilisation du robot de cuisine WFP14SC

Manual de instrucciones del robot de cocina WFP14SC

# IMPORTANT SAFEGUARDS

When using electrical appliances, basic safety precautions should always be followed, including these:

- 1. Read all instructions.**
2. Blades are sharp. Handle carefully.
3. Your Waring® food processor is a piece of kitchen equipment and, as with all other kitchen equipment, extreme care must be used when operating it. Although training requirements are minimal, only responsible and prudent individuals should be allowed to operate this food processor. It should not be used by or near children or individuals with certain disabilities.
4. To avoid injury, never place cutting blade or disc on base without first having put the bowl properly in place.
5. Keep hands as well as spatulas and other utensils away from moving blades or discs while processing food to prevent the possibility of severe personal injury or damage to the food processor. A plastic scraper may be used, but must be used only when the food processor is not running.
6. To protect against risk of electrical shock, do not put base in water or other liquids.
7. Unplug from outlet when not in use, before putting on or taking off parts, before removing food from work bowl, and before cleaning. To unplug, grasp plug and pull from electrical outlet. Never pull cord.
8. Avoid contact with moving parts. Never feed food by hand when slicing or grating. Always use food pusher.
9. Make sure motor has completely stopped before removing the cover.
10. Do not operate any appliance with a damaged cord or plug, or after appliance has been dropped or damaged in any manner. Return appliance to the nearest authorized Waring service facility for examination, repair or adjustment.
11. The use of attachments not recommended or sold by Waring may cause fire, electric shock or injury.
12. Do not use outdoors.
13. Do not let cord hang over edge of table or counter, or touch hot surfaces.
14. Do not attempt to defeat the cover interlock mechanism.
15. Be certain cover is securely locked in place before operating appliance.
16. If the machine malfunctions for any reason, discard any food being processed at that time.
17. This appliance is not intended for use by persons (including children) with reduced physical, sensory or mental capabilities, or lack of experience and knowledge, unless they have been given supervision or instruction concerning use of the appliance by a person responsible for their safety.
18. Children should be supervised to ensure that they do not play with the appliance.

## SAVE THESE INSTRUCTIONS

## APPROVED FOR COMMERCIAL USE

# GROUNDING INSTRUCTIONS

For your protection, this appliance is equipped with a 3-conductor cordset.

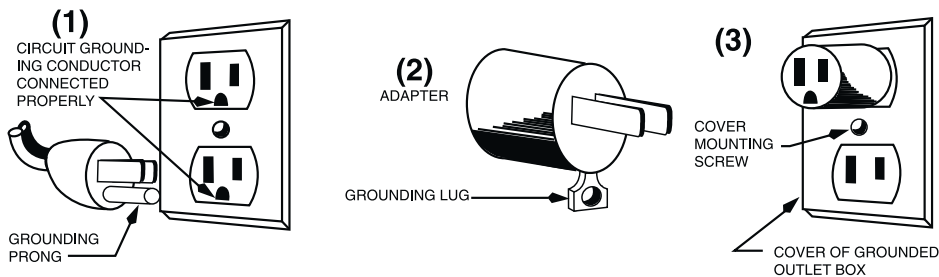
120 volt units are supplied with a molded 3-prong grounding-type plug (NEMA5-15P), and should be used in combination with a properly connected grounding-type outlet as shown in Figure 1.

If a grounding-type outlet is not available, an adapter, shown in Figure 2, may be obtained to enable a 2-slot wall outlet to be used with a 3-prong plug.

As shown in Figure 3, the adapter must be grounded by attaching its grounding lug under the screw of the outlet cover plate.

**CAUTION:** Before using an adapter, it must be determined that the outlet cover plate screw is properly grounded. If in doubt, consult a licensed electrician. Never use an adapter unless you are sure it is properly grounded.

**NOTE:** USE OF AN ADAPTER IS NOT PERMITTED IN CANADA. 220–240 volt “GS Safety Approved” units are supplied with a molded European grounding-type plug (CEE 7/7).



The WFP14SC food processor features a seal system unlike any food processor in the industry. Now, you can process larger volumes of liquid and don't have to worry about removing the S-blade while pouring. Waring Commercial has once again revolutionized food processing. This feature, along with the continuous feed chute capabilities, makes the Waring Commercial WFP14SC food processor the most versatile food processor in the industry.

# THE PARTS

The Waring WFP14SC food processor consists of the following standard parts and accessories (see diagram on next page):

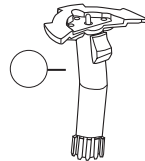
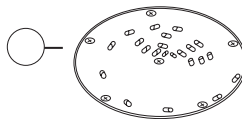
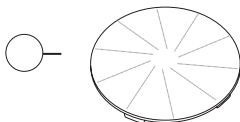
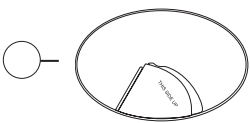
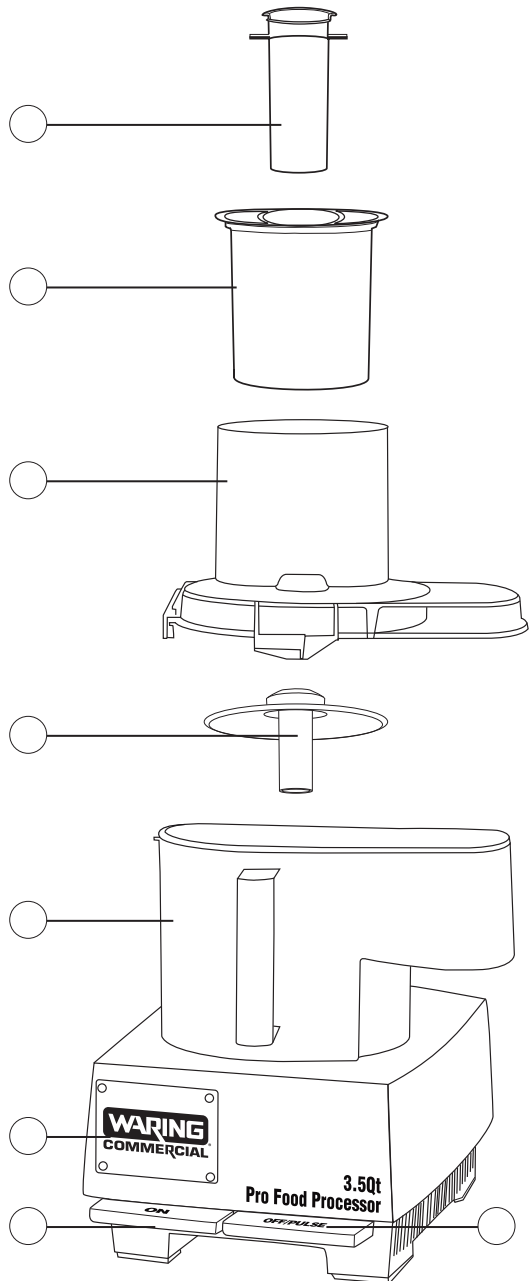
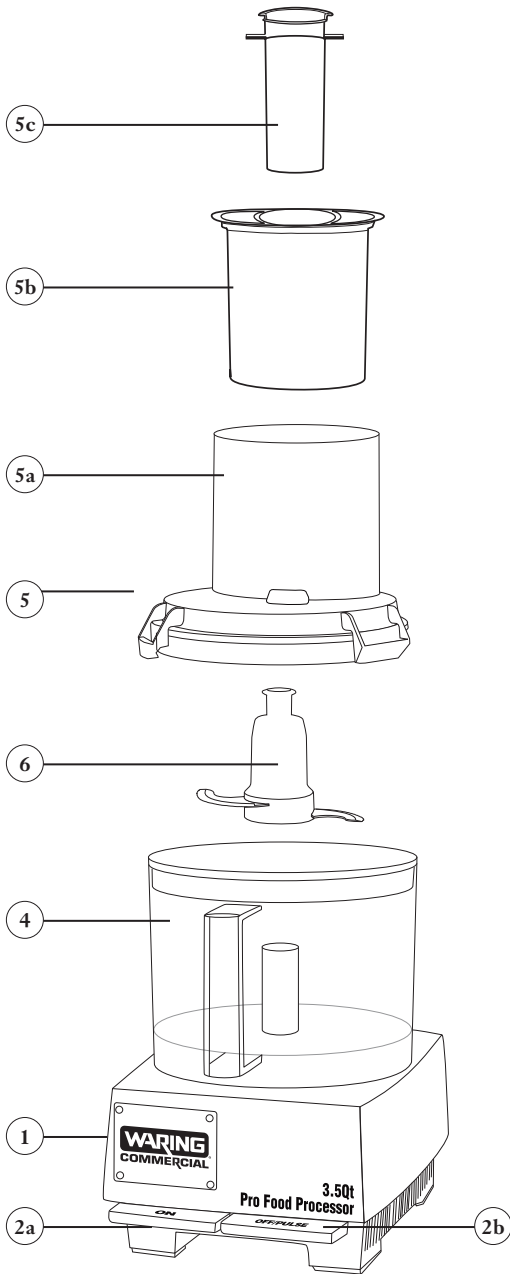
1. Motor base with vertical heavy-duty shaft
2. Two control levers
  - a. ON
  - b. OFF/PULSE
3. Safety interlock (not shown)

Prevents machine from operating until cover is in place
4. Clear work bowl with dry capacity of 3.5 quarts
5. Clear work bowl cover with new seal system for use with larger liquid volumes.
  - a. Large oval-shaped feed tube for maximum use of cutting surface
  - b. Large pusher with full-size and reduced-size feed options
  - c. Small pusher used within the large pusher for smaller vegetables, pepperoni, etc.

**Note: This combination pusher allows use of the entire feed tube for large foods and provides controlled processing for small-diameter foods such as carrots, celery and pepperoni.**

6. Sealed S-blade (cutter blade) to chop, grind, purée and mix: locks in place for liquid processing and easy pouring.
7. 4 mm, 5/32" slicing disc
8. 2 mm, 5/64" grating disc
9. 4 mm, 5/32" shredding disc
10. Detachable stem for use with processing discs

**Note that all of the WFP14SC accessory discs have a unique offset removable stem. The design of this stem increases the cutting/processing efficiency of these accessories.**
11. Continuous feed chute with handle
12. Continuous feed chute clear cover
13. Slinger for continuous feed chute



# ASSEMBLY OF BATCH BOWL PARTS

## WFP14SC

We will use the terms bowl, work bowl and batch bowl interchangeably throughout this instruction book. They mean the same thing.

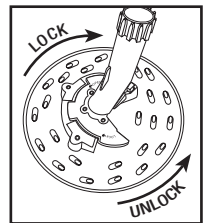
- Clean and sanitize the motor base, and wash, rinse, and sanitize the bowl, cover, food pusher, food pusher insert and processing tools prior to initial use.
- Place the base on a counter or table near an outlet. Position it so you look at the front of the unit and can see the control levers. Be certain that the cord is unplugged and the OFF lever has been pressed. Do not plug in the cord until the processor is completely assembled.
- Pick up the transparent work bowl, holding it in both hands with the handle toward you.
- Place the bowl on the base, fitting its central tube over the motor shaft on the base and placing its handle slightly to the left of front-center (at about a 7 o'clock position).
- Press the bowl down so the lower rim fits around the circular platform. Turn the bowl counterclockwise as far as it will go. It will lock into position with the tabs on the sides of the platform.

### **Read this if assembling the batch bowl parts to use S-blade (cutter blade).**

- Pick up the metal blade, noting the diagram on the top of the plastic center. It matches the shape of the motor shaft.
- Place the S-blade over the tip of the motor shaft, lining up the inside of the hub with the shaft. Press it down firmly, rotating the center hub until the blade assembly is fully seated. It should easily drop into place. Push firmly to lock and seal S-blade hub in place. Be sure it is pushed down as far as it will go. If it is not all the way down, it may become damaged and any liquid may leak. Push only on the center section (plastic part); never touch the cutting blade as it is extremely sharp.
- Check to be sure the blade is all the way down by turning it back and forth while lightly pushing it down. If properly installed and fully seated, the lower blade will be positioned just above the inside bottom of the bowl.
- If processing food with the S-blade, now is the time to add the food or liquid to the work bowl.
- Always process dry food first, then add wet food.
- Do not fill liquid past "Max liquid fill" level. If too much liquid is used, it will overflow. In this case, stop operation, remove liquid to below "Max liquid fill" line and continue processing.

### **Read this if assembling batch bowl parts to use accessory discs in batch bowl.**

- Do not put any food in the bowl before placing the accessory disc onto the shaft.
- Select the appropriate accessory disc: shredding disc, grating disc or slicing disc.
- Hold the disc with the cutting side facing your hand. Be careful not to scrape your hand on the sharp edges. Notice the bottom of the disc has a plastic receptacle for the detachable stem. Holding the stem with your thumb on the release switch, place the center and right-most two tabs in the two open slots on the bottom of the disc and rotate clockwise. Refer to diagram.
- Once the stem is installed in the proper disc, carefully guide the center disc hub over the metal shaft so the double flats on the shaft line up with the disc stem. Put the disc on top of the shaft and rotate until it drops down and into place. Be sure it is pushed down as far as it will go. Push on the outside rim only; never touch the cutting blades. It should easily drop into place, but if not, then gently rock it back and forth until you feel the disc drop into place.



**Note: Do not put any food in the bowl before placing the accessory disc onto the shaft.**

**(batch bowl assembly continues)**

## (batch bowl assembly continued)

- Place the cover on the bowl, with the feed tube on the right, slightly toward the front. The locking tabs on the cover should be at the left of the locking tabs on the rim of the work bowl.
- Rotate the cover counterclockwise to lock it into place. When the cover is rotated into place, the safety interlock tab on the back rim of the cover will lock with the interlock mechanism.

**NOTE:** The cover must be in place correctly, with the cover's safety interlock tab firmly engaged, for the food processor to operate. This is an important safety feature.

***NEVER ATTEMPT TO START THE FOOD PROCESSOR WITHOUT THE COVER LOCKED INTO POSITION.***

### Two pushers for feed tube

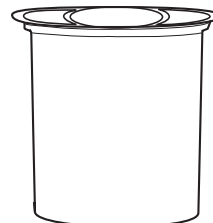
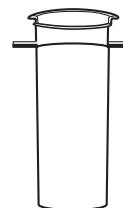
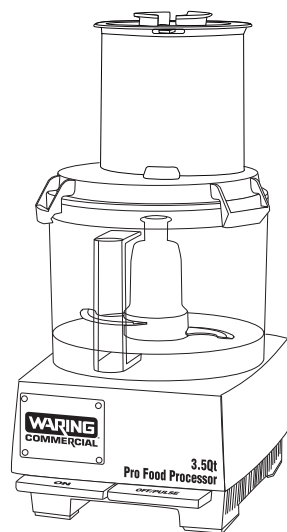
Pick up the large food pusher and the small food pusher. The large pusher is for processing larger vegetables. The smaller pusher nests in the larger pusher and can be used for smaller vegetables, guiding long thin vegetables for more precise cuts, or for jobs like slicing pepperoni.

### Large pusher

Insert the small food pusher into the large food pusher opening. When it is fully inserted, rotate the small pusher counterclockwise to lock it into place. Now you are ready to insert the large pusher into the feed tube opening.

### Small pusher

To use the small pusher, rotate it counterclockwise to disengage the locking feature. Now you can lift the small pusher up and out of the large pusher. When using the small pusher, the large pusher becomes the feed tube for the small pusher.



# DISASSEMBLY OF BATCH BOWL PARTS WFP14SC

**ALWAYS UNPLUG THE CORD BEFORE DISASSEMBLING.**

- Turn the bowl cover clockwise until the safety interlock tab on the cover is disengaged and the locking tabs are clear of the tabs on the bowl. In this position you can lift the cover off the bowl.
- Remove the large food pusher from the feed tube. Remove the small pusher from the large pusher.

## **Disassembly when removing the S-blade**

- Remove the work bowl from the unit by rotating clockwise (left) to disengage the tabs on the bottom of the bowl platform from the work bowl. When the bowl handle is on the left (about 7 o'clock position), you can gently lift the bowl straight up and out.

**It is recommended that you remove the bowl from the motor base before you remove the S-blade.**

- To remove the blade, keep a slight downward pressure on the top of the center hub of the blade while removing the bowl from the motor base. This will form a seal to prevent food particles from spilling into the center tube of the bowl and onto the motor base or the work surface. **REMOVE ALL FOOD AND LIQUID BEFORE REMOVING S-BLADE, OR BOWL WILL LEAK.** Then remove the S-blade from the bowl by pulling upward to unlock the seal. Handle the S-blade with caution; the blades are extremely sharp.

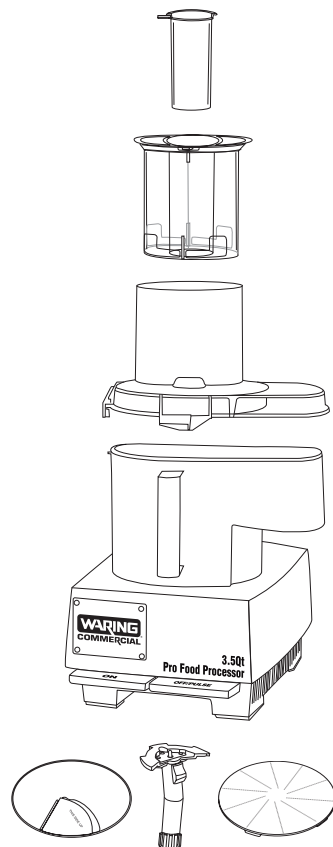
## **Disassembly when removing an accessory disc**

- Do not remove the work bowl until the accessory disc is removed.
- To remove an accessory disc, place your fingers on the outer edge of two opposite sides of the disc and lift. The disc should remove cleanly. To remove the detachable stem, hold the disc in one hand with the stem facing away from your hand. Be careful not to scrape your hand on any sharp edges; depress the release switch with your thumb and rotate counterclockwise.
- Remove the work bowl from the unit by rotating clockwise to disengage the tabs on the bottom of the bowl platform from the work bowl. When the bowl handle is on the left (about 7 o'clock position), you can gently lift the bowl straight up and out.



# ASSEMBLY OF CONTINUOUS FEED CHUTE PARTS

- Clean and sanitize the motor base, and wash, rinse, and sanitize the continuous feed chute, cover, slinger disc, food pusher, food pusher insert and processing tools prior to initial use.
- Place the base on a counter or table near a 3-prong electrical outlet. Position it so that you are looking at the front of the unit and can see the control levers. Be certain that the cord is unplugged and the OFF lever has been pressed. Do not plug in the cord until the processor is completely assembled.
- Pick up the continuous feed chute, holding it in both hands with the chute pointing in the 4 o'clock position and the handle at 7 o'clock position. Place the chute on the base, fitting its center opening over the motor shaft.
- Press the chute down so the round lower rim of the chute fits around the circular platform. Rotate counterclockwise until it clicks into place and engages the rear interlock.
- Place the slinger (or ejector disc) in the bowl, sliding it over the metal motor shaft until it reaches the bottom of the chute.
- Select the appropriate accessory disc. **Follow directions on page 7 to attach stem to disc.**
- After selecting the appropriate disc and attaching the disc stem, pick up the disc by holding the disc firmly between both hands. Be careful not to grab the blades or scrape your hands on the slicing/shredding/grating nodules.
- Carefully guide the disc stem over the metal shaft so the double flats on the shaft line up with the matching shape of the disc stem. The disc should easily drop into place, but if not, gently rotate until you feel it drop into place. Be sure it is pushed down as far as it will go. Push on the outside rim only; never touch the cutting blades. **Do not put any food in the chute before placing the accessory disc onto the shaft.**
- Place the cover on top of the chute with cover locking tab at left of locking tab on chute. Press down and rotate the cover until it latches to the tab on the continuous feed chute. This will prevent the lid from rising up during processing.
- The interlock tab on the cover will slide into the interlock slot on the cover and engage the magnetic safety interlock switch. The interlock switch prevents operation of the machine unless the cover is in the proper position. With this switch engaged, the food processor will operate if the power is on and the controls are turned to ON or PULSE.



**NEVER ATTEMPT TO START THE FOOD PROCESSOR WITHOUT THE CHUTE AND COVER LOCKED INTO POSITION.**

## Two Pushers for Feed Tube

Pick up the large food pusher and the small food pusher. The large pusher is for processing larger vegetables. The smaller pusher nests in the larger pusher and can be used for smaller vegetables, guiding long thin vegetables for more precise cuts and for jobs like slicing pepperoni.

## DISASSEMBLY OF CONTINUOUS FEED CHUTE PARTS

ALWAYS UNPLUG THE CORD BEFORE DISASSEMBLING.

- Turn the cover clockwise until the safety interlock tab on the cover is disengaged from the safety interlock switch on the chute, and the tabs are clear of the tabs on the cover.
- When the chute is in the 4 o'clock position, you can lift the cover off the chute. Remember to rotate the cover lock to the open position before removing the cover.
- Remove the large food pusher from the feed tube. Remove the small pusher from the large pusher.
- To remove an accessory disc from the continuous feed chute, place two fingers under each side of the disc and lift it straight up. Be careful not to touch the blades, as they are extremely sharp. **Follow directions on page 9 to remove stem from disc.**
- Remove the continuous feed chute from the motor base. If the chute is pointing in the 4-o'clock position, just lift it up. If not, rotate clockwise (left) to disengage the tabs on the bottom of the chute platform (motor base) from the slots on the bottom of the continuous feed chute.

# OPERATING THE CONTROLS

- Plug the machine into an electrical outlet. The outlet must be 120V, 60Hz.
- There are two control levers located on the base of the machine. They are on the front and they give you fingertip control of processing. They are large enough to find easily in case of emergency.

The two controls are:    ON  
                                  PULSE/OFF

How they work:            ON: Press the lever down to start the motor.  
                                  PULSE/OFF: To turn the motor off, press the lever down and release.

To pulse the motor, press the PULSE/OFF lever down, then release. The motor will run as long as you hold the lever down; it stops when you release the lever. Try it a few times.

## How to Use

### Continuous use

For continuous processing, use the ON lever, which is located on the left.

### Pulsing

The pulsing function is intended for use with the S-blade in the work bowl.

- For rapid on-off operation, called pulsing, use the PULSE/OFF lever located on the right. The motor runs as long as you hold the lever down; it stops when you release the lever.
- You control pulsing. You control the duration of each pulse by the amount of time you hold the lever down. You control the frequency of pulses by the rate at which you press the lever. The interval between pulses must be long enough to allow everything in the work bowl to fall to the bottom.
- Pulsing gives you precise control over chopping, mincing, blending and mixing. You can process food to any texture or consistency you want, from coarse to fine.
- Pulsing is also useful in processing hard foods. Pulse the food a few times to break up into smaller parts. Then proceed with continuous use after the pieces are broken up and easier to process.
- Always use the PULSE/OFF lever for pulsing. Never move the bowl (or chute) and cover assembly on or off to control pulses. It is less efficient and could damage the machine.

### Turning off

Always turn the machine off with the PULSE/OFF lever and wait until the blade or disc comes to a complete stop before removing the pusher assembly. The motor stops within seconds after the machine is turned off.

# FOOD PREPARATION

- Prepare all food items to be processed by washing and peeling as required. Remove pits, stones, and large seeds.
- Cut vegetables, meats, cheeses, etc. into sizes that will fit into your choice of small feed tube or large feed tube for processing with accessory discs, or into sizes as required by your processing task.
- Preparation for slicing: Produce that is long and cylindrical such as carrots, cucumbers and celery should be cut flat at both ends. This will provide a consistent slice for all food processed.

## FOOD PUSHER SELECTION

### **S-blade usage**

The feed tube can be used for adding ingredients while the food processor is running. However it is recommended that the food pushers be left in place whenever possible to prevent splashing and avoid unwanted additions to the work bowl.

### **Small pusher**

This pusher with smaller chute is typically used when inserting vegetables vertically for smaller cuts. It should be used when slicing foods such as carrots, celery, pepperoni, etc., when a consistent, flat result is desired.

This pusher is also used when a shorter grate or slice is desired as opposed to a longer grate or slice using the larger feed tube and pusher.

### **Large pusher**

This pusher with larger chute is typically used when inserting vegetables horizontally for longer cuts.

This pusher is used when a longer grate or slice is desired. It is also used when processing large volumes of food or bulky food items such as potatoes or onions.

## RESETTING THERMAL PROTECTION

The WFP14SC Food Processor is equipped with an automatic reset switch to protect the motor from overheating.

If your food processor stops running under heavy use, turn the power switch off and unplug the power cord. Empty the work bowl of all its contents and discard food. Allow approximately 5 minutes for the motor to cool down.

Reassemble unit, plug the power cord back into the outlet and run first with the bowl empty. Put food into the bowl and continue processing.

If your food processor does not function properly following this procedure, discontinue use and contact a Certified Waring Customer Service Center.

# BATCH BOWL MAXIMUM CAPACITY CHART

Do not exceed the capacities listed in the table below when processing in the batch bowl:

FOODS	CAPACITY
Chopped and Puréed Fruit and Vegetables	475 g (1.1 lbs)
Chopped or Puréed Meat, Poultry, Fish or Seafood	1 kg (2¼ lbs)
Sliced Fruit, Cheese or Vegetables	1.5 kg (3.5 lbs)

## USE INSTRUCTIONS FOR S-BLADE IN THE BATCH BOWL

1. Cut food into 2.5cm pieces.
  2. Insert the metal S-blade and put the pieces of food into the work bowl. Attach the lid and the pusher assembly; press the pusher assembly down to lock it into place. Press and release the PULSE/OFF lever two or three times. Each time the blade stops, let the pieces drop to the bottom of the bowl before pulsing again.
  3. Using the pulse/chopping technique, you can get an even chop without the danger of over-processing. Check the texture frequently by looking through the cover of the work bowl. If you want a finer chop, press and release the PULSE/OFF lever until you achieve the desired texture. Onions and other foods with a high water content will quickly end up as a purée unless examined through the work bowl after each pulse to make sure they are not overprocessed.
- For better results, ensure all the pieces you add to the bowl are about the same size.



Ensure the amount you process is no larger than recommended.


- When processing liquid, do not exceed 10 cups or fill past “Max liquid fill” line.

## REMOVING PROCESSED FOOD FROM THE BATCH BOWL

1. Turn the machine off and wait for the blade to stop moving before removing the lid and pusher.
2. If the blade holds the bowl locked when the motor stops, move the handle of the bowl rapidly back and forth – first clockwise, then counterclockwise.
3. If using a disc, remove before tilting the bowl, using a spatula to scrape off any food sticking to it. If using S-blade, it will stay locked in the bowl when you tilt to pour. Use spatula to scrape food out of bowl. **NEVER USE FINGERS TO REMOVE FOOD WHILE BLADE IS IN BOWL.**

## CHOPPING HARD FOODS IN THE BATCH BOWL

To chop hard foods like garlic, remove the small pusher, press the ON lever and drop the food through the small feed tube while the machine is running. Small foods like garlic can be dropped in whole. This method of processing minces garlic, shallots and onions. Larger foods like meat and hard cheese should be cut into 1-inch (25.4 mm) cubes to ensure an even chop. Press the PULSE/OFF lever for 1 to 2 seconds, 3 times. Then press the ON lever and process for a maximum of 30 seconds for desired consistency.

 Never try to process cheese that is too hard to cut with a knife. You may damage the blade or the machine.

## SLICING OPERATION

### Round fruits and vegetables

Before processing onions, apples and other large, round fruits and vegetables, trim them with a knife. Cut the bottom end flat to make the food lie stable on the disc. Place the food in the feed tube, flat side down. Position it as far left as possible to prevent it from tilting when being processed. Choose fruits that are firm and not too ripe. Always remove large hard stones and pips/seeds from fruits before processing. Seeds from citrus fruits need not be removed. You may remove the rind before slicing or leave the rind on.

### Whole peppers are an exception

Remove the stem and cut the stem end flat. Remove the core and scoop out the seeds. Leave the end opposite the stem whole, to keep the structure stiff. This ensures round, even slices.

### Large fruits like pineapple and melon

Cut them in half and remove the seeds or core. If necessary, cut the halves into smaller pieces to fit the feed tube. Remember to cut the ends flat.

### Cabbage and iceberg lettuce

Turn the head on its side and slice off the top and bottom, leaving a center section about 3 inches deep. Remove the core and cut the center section in wedges to fit the feed tube. Remove the core from the bottom piece and cut it and the top piece into wedges to fit the feed tube.

### If the fruit or vegetable doesn't fit

Try inserting it from the bottom of the feed tube. The opening there is slightly larger.

### Pack the feed tube for desired results

For long slices, cut the food in feed-tube widths and pack the pieces horizontally. For small round slices from carrots, zucchini and other long vegetables, cut them in feed-tube heights and pack them tightly upright. Food should fit snugly, but not so tight that it prevents the pusher from moving. When slicing food, always use the pusher. Never put your fingers or a spatula into the feed tube.

Never push down hard on the pusher. Use light pressure for soft fruits and vegetables like bananas, mushrooms, strawberries and tomatoes, and for all cheese. Use medium pressure for most foods like apples, celery, citrus fruit and potatoes. Use firm pressure for really hard vegetables like carrots.

## **Small round fruits and vegetables**

For large berries, radishes and mushrooms, trim the opposite ends flat with a knife. Insert the food through the feed tube, standing each piece on a flat end. You can fill the tube to about 1 inch (25.4 mm) from the top. The bottom layer gives you perfect slices for garnish. If you want all the slices to be perfect, it's best to process one layer at a time.

## **Long fruits and vegetables**

Trim food like bananas, celery and zucchini by cutting them into pieces a little shorter than the feed tube. Cut both ends flat. (Use a ruler as a guide, or the pusher assembly with the pusher pulled out as far as it will go.) Fill the feed tube with the pieces, standing them vertically and adding enough pieces so they are solidly packed and cannot tilt sideways as they are sliced.

## **Small amounts of food**

Use the small feed tube and the small pusher. Remove the small pusher from the pusher assembly. Slide the pusher assembly over the feed tube and press the sleeve down to lock it into place. Cut the food in lengths a little shorter than the feed tube. If you are slicing one or two long, thin vegetables like carrots, push them against the left. If you are slicing a few vegetables that are wide at one end and narrow at the other (carrots, celery or scallions) cut them in half and pack in pairs, one wide end up, one narrow end up.

## **French-cut green beans**

Trim fresh green beans to feed-tube widths. Blanch them for 60 seconds in boiling salted water. Plunge them immediately into cold water to stop the cooking. When they are cold to the touch, drain and dry them. Stack them in the feed tube horizontally to about 1 inch (25.4 mm) from the top. Use the slicing disc. Be sure the small pusher is locked. Apply light pressure to the pusher and press the PULSE/OFF lever until beans are sliced. To make long, horizontal slices of raw zucchini or carrots, use the same procedure.

## **Matchsticks or julienne strips**

Process the food twice – double slice it. Insert any large fruit or vegetable – potatoes, turnips, zucchini, apples – in the feed tube horizontally. Apply pressure to the pusher while pressing the PULSE/OFF lever until the food is sliced. You will get long slices. Remove the slices from the work bowl and reassemble them. Reinsert them in the feed tube, wedging them in tightly. Slice them again. You will obtain long julienne strips.

# **SLICING MEAT AND POULTRY**

## **Cooked meat and poultry**

The food must be very cold. If possible, use a chunk of food just large enough to fit the feed tube. To make julienne strips of ham, bologna or luncheon meat, stack slices of them. Then roll or fold them double and stand them upright in the feed tube, wedging in as many rolls as possible. This technique works better with square or rectangular pieces than with round ones.

## **Uncooked meat and poultry**

Cut the food into pieces to fit the feed tube. Boned, skinned chicken breasts will usually fit when cut in half crosswise. Wrap the pieces in plastic wrap and put them in the freezer. They are ready to slice when they pass this “knife test”: they are easily pierced with the tip of a sharp knife although semi-frozen and hard to the touch. Stand them in the feed tube, cut side down, and slice them against the grain, using firm pressure on the pusher. Or lay them flat in the feed tube, as many as will fit, and slice with the grain, using firm pressure.

## **Frankfurters, salami and other sausages**

If the sausage is soft, freeze it until hard to the touch but easily pierced with the tip of a sharp knife. Hard sausages need not be frozen. If the sausage is thin enough to fit in the small feed tube, use that tube. Otherwise, cut the sausage into pieces to fit the large feed tube completely. Stand the pieces vertically, packing them in tightly so they cannot tilt sideways.

## **SLICING CHEESE**

### **Firm cheese like Swiss and Cheddar**

Cut the cheese into pieces to fit the feed tube. Put it in the freezer until it is semi-frozen – hard to the touch but easily pierced with the tip of a sharp knife. Stand the pieces in the feed tube and apply light pressure to the pusher.

**IMPORTANT:** Never try to slice soft cheese. Slice only hard cheese such as Parmesan. Do not use block sizes larger than 3.5" x .750" x 4.0" (89 mm x 19 mm x 101 mm). Always use well-chilled cheese when slicing. It is recommended to place cheese in refrigerator for at least 1 hour before slicing. Do not slice mozzarella in this unit. Damage to the unit may occur.

## **GRATING OPERATION**

Prepare all food items to be processed by washing and peeling as required. Remove pits, stones, and large seeds. Be sure the food will fit into the proper feed chute.

Select which feed tube to use. Horizontal placement of carrots will result in a long grated product, while using the smaller chute and inserting the food vertically will give you a short grated product.

Never try to grate soft cheese. Grate only hard cheese such as Parmesan. Do not use block sizes larger than 3.5" x .750" x 4.0" (89 mm x 19 mm x 101 mm). Always use well-chilled cheese when grating. It is recommended to place cheese in refrigerator for at least 1 hour before grating. Do not grate mozzarella in this unit. Damage to the unit may occur.

For grating cheese, it is recommended that a slight pulsating pressure be applied with the pusher, alternating push/no push until the cheese block is completely grated. Cheese grating puts more strain on the food processor motor than other tasks and may cause overheating if too much pressure is applied in a continuous manner.

You can typically expect to grate 10 pounds (4.5 kg) of cheese in about 5 minutes. It is recommended that you plan your food preparation in a manner that will allow for five minutes of grating, followed by five minutes of food preparation while the machine rests.

When grated food reaches nearly full capacity of the bowl, remove all grated food from the bowl.



## SHREDDING OPERATION

- Prepare all food items to be processed by washing and peeling as required. Remove pits, stones, and large seeds. Be sure the food will fit into the proper feed chute.
- Select which feed tube to use. Horizontal placement of foods such as carrots and zucchini will result in a longer shredded product. Using the smaller chute and small pusher with food inserted vertically will yield a shorter shredded product.
- Never try to shred soft cheese. Use only hard cheese. Mozzarella may be shredded only when well chilled. Pre-cut mozzarella must be 0.75" thick by 3.5" wide and 4" high for the WFP11S, and 1" thick by 3.5" wide and 4" high for the WFP14S. Place mozzarella in a freezer for 1 hour prior to shredding. Only use pulse button when shredding cheese.
- When shredded food reaches nearly full capacity of the bowl, remove all shredded food from the bowl.

# **TROUBLESHOOTING**

This section describes potential problems and the correct solutions for them. Problems that cannot be solved with the guidelines listed below should be referred to one of your local distributors for assistance. A listing of authorized service agencies is supplied with each Waring food processor.

## **Unit does not start when assembled correctly**

- Pull the plug and try plugging into another outlet.
- Press ON lever to ON.
- Make sure the bowl is properly positioned on the motor base, that the bowl or chute cover is attached properly, and that the safety interlock tab on the cover has properly engaged the safety interlock switch.

## **Unit stops running during processing**

- The unit may have overheated. Refer to Resetting Thermal Protection section (page 13).
- Turn unit off and unplug.
- Remove bowl attachment.
- Remove food being processed from inside the bowl and discard.
- Allow unit to cool for 5 minutes.
- Reassemble unit, and run first with the bowl empty, then put food into the bowl and try again.

## **Unit will not come up to full speed**

- Bowl is overloaded – remove food being processed and reload using smaller quantities.

## **If unit does not operate after you have followed the above**

- Check outlet to be sure there is current.
- Check to be sure circuit breaker is on.
- Check to be sure the fuse is not blown if there are fuses on this circuit.
- Contact your local distributor.

## **If unit starts to spark or smoke**

- Turn unit off, unplug it, and call local factory-authorized service agency.

## **If food processor makes grinding noise**

- Turn unit off, unplug, disassemble, check bowl and blade to see if they have been rubbing together.
- If bowl and blade are rubbing, call your local distributor.

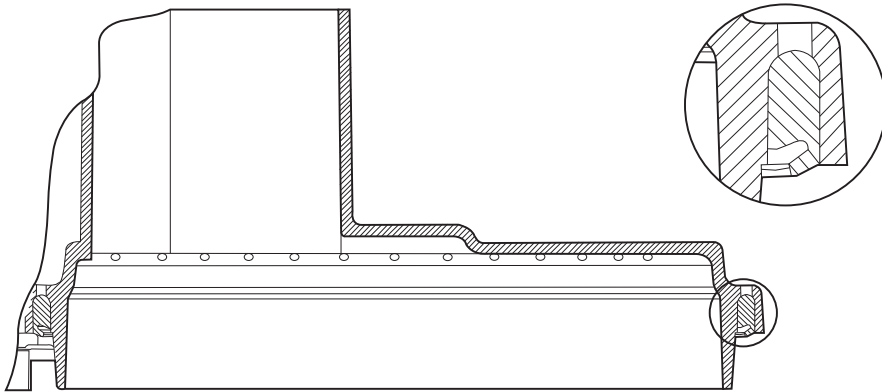
# CLEANING

Clean the food processor and accessories prior to initial use and after each use. Do not use harsh abrasive-type cleaners on any part of the food processor. Wash the motor shaft with a small brush.

Wash, rinse, sanitize and dry the bowl, covers, continuous feed chute, small food pusher, large food pusher, accessory discs, and S-blade prior to initial use and after use, unless they will be used again immediately. These items are all dishwasher safe and may be cleaned and rinsed in the dishwasher instead of manually in the sink.

Wash and rinse all of the above items after each use.

The bowl cover has a black seal around its outer rim that is easily removable for cleaning and should be cleaned periodically. There are three small holes on the outer lip of the top of the cover for pushing the seal out. Use a small, dull object like a toothpick or paper clip, to push the seal downward and out of the groove. **DO NOT USE ANYTHING SHARP THAT CAN CUT THE SEAL.** Hand wash with warm soapy water, rinse, and dry. To reassemble, insert the clean and dry seal back in to groove with your fingers, with the round edge at the top and the slotted edge at the bottom, facing in. Make sure the seal is fully inserted and in proper position. Note picture below.



Note: The flap of the cover seal must be downward and the opening must face to center of cover.

A stiff bristle brush will help to knock food particles out of the crevices of the discs and blades before washing. Handle very carefully as the blades are sharp.

For manual cleaning, it is recommended that you use washing solutions based on non-sudsing detergents, and chlorine-based sanitizing solutions that have a minimum chlorine concentration of 100 PPM. The following washing, rinsing, and sanitizing solutions, or their equivalents, may be used:

SOLUTION	PRODUCT	DILUTION IN WATER	TEMPERATURE
<b>Washing</b>	*Ajax® Sanitizer Cleaner Powder	¼ oz. per 2½ gallons	Hot 115°F (46°C)
<b>Rinsing</b>	Plain Water		Warm 95°F (35°C)
<b>Sanitizing</b>	**Clorox® Institutional	1 tablespoon per gallon	Cold 50°F (10°–21°C)

\*Ajax® is a registered trademark owned by the Colgate-Palmolive Company.

\*\*Clorox® is a registered trademark owned by the Clorox Company.

### **To clean and sanitize the motor base**

Clean and sanitize the motor base prior to initial use and after each use. Unplug the unit, then wipe down the exterior surfaces of the motor base with cloth or sponge dampened with a soluble detergent. Next, wipe down with rinse water. Prevent liquid from running into the motor base by wringing out all excess moisture from cloth or sponge before using it.

### **NEVER IMMERSER THE MOTOR BASE IN WATER OR ANY OTHER LIQUID.**

Allow the unit to air-dry before using again.

Never use harsh abrasive-type cleaners on any part of the commercial food processor.

## **LIMITED WARRANTY**

### **LIMITED FIVE YEAR MOTOR WARRANTY**

### **LIMITED TWO YEAR PARTS AND LABOR WARRANTY**

Waring Commercial warrants that this product's motor shall be free from defects in material and workmanship for a period of five years from the date of purchase when used with foodstuffs, nonabrasive liquids (other than detergents) and nonabrasive semi-liquids, providing it has not been subject to loads in excess of indicated rating. All other components are warranted for a period of two years from date of purchase.

Under this warranty, the Waring Commercial division will repair or replace any part which, upon our examination, is defective in materials and workmanship, provided the product is delivered prepaid to the Waring Service Center, 314 Ella T. Grasso Ave., Torrington, CT 06790, or any factory-approved service center.

This warranty does not: a) apply to any product that has become worn, defective, damaged or broken due to use or due to repairs or servicing by other than the Waring Service Center or a factory-approved service center or due to abuse, misuse, overloading or tampering; b) cover incidental or consequential damages of any kind.

This warranty is applicable only to appliances used in the United States or Canada; this supersedes all other express product warranty or guaranty statements. For Waring products sold outside of the U.S. and Canada, the warranty is the responsibility of the local importer or distributor. This warranty may vary according to local regulations.

This warranty is void if appliance is used on Direct Current (DC current).

# MEDIDAS DE SEGURIDAD IMPORTANTES

Siempre que use aparatos eléctricos, debe tomar precauciones básicas de seguridad, entre las cuales las siguientes:

- 1. Lea todas las instrucciones.**
2. Las cuchillas son muy filosas. Manipúlelas con sumo cuidado.
3. Como todo electrodoméstico, su robot de cocina Waring® debe usarse con mucha precaución. Aunque no se necesita mucha preparación para operar este aparato, sólo debería ser usado por personas responsables y cuidadosas. No debería ser usado por o cerca de niños o personas con alguna discapacidad.
4. Para reducir el riesgo de heridas, asegúrese que el bol esté debidamente ensamblado antes de instalar la cuchilla o el disco.
5. Para reducir el riesgo de herida seria o de daño al aparato, mantenga las manos y los utensilios alejados de la cuchilla o del disco durante el funcionamiento. Se podrá usar una espátula de goma, siempre en cuando el aparato esté apagado.
6. Para reducir el riesgo de electrocución, no coloque el bloque-motor en agua u otro líquido.
7. Desconecte el aparato cuando no esté en uso, antes de instalar o de remover piezas, antes de vaciar el bol y antes de limpiarlo. Para desconectar el aparato, coja el cable por la clavija. Nunca jale el cable
8. Evite el contacto con las piezas móviles. Nunca introduzca la mano en la boca de llenado. Siempre utilice el empujador.
9. Espere hasta que el motor se haya detenido completamente antes de remover la tapa.
10. No opere este aparato si el cordón o la clavija estuviesen dañados, después de que hubiese funcionado mal o que se hubiese caído o si estuviese dañado. Regrese el aparato a un centro de servicio autorizado para su revisión, reparación o ajuste.
11. El uso de accesorios no recomendados o vendidos por el fabricante presenta un riesgo de incendio, electrocución o herida.
12. No lo utilice en exteriores.
13. No permita que el cordón cuelgue del borde de la encimera o de la mesa, ni que haga contacto con superficies calientes.
14. No intente forzar el mecanismo de bloqueo de seguridad de la tapa.
15. Asegúrese que la tapa esté debidamente cerrada antes de encender el aparato.
16. En caso de mal funcionamiento durante el uso, tire el contenido del bol a la basura.
17. Los niños o las personas que carezcan de los conocimientos o la experiencia necesarios para manipular el aparato, o aquellas cuyas capacidades físicas, sensoriales o mentales estén limitadas, no deben utilizar el aparato sin la supervisión o la dirección de una persona responsable por su seguridad.
18. Asegúrese que los niños no jueguen con este aparato.

## GUARDE ESTAS INSTRUCCIONES

# INSTRUCCIONES DE PUESTA A TIERRA

Para su protección, este aparato está equipado con un cable eléctrico con conductor de tierra.

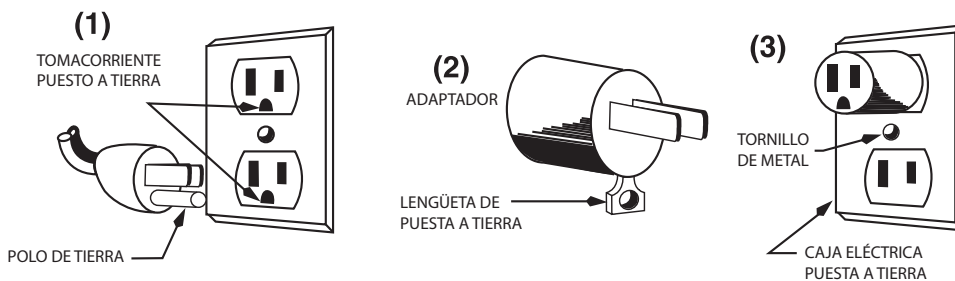
Los aparatos de 120V están equipados con clavija de tierra de tipo NEMA5-15P, la cual debe ser conectada a un tomacorriente debidamente puesto a tierra (Fig. 1).

Si un tomacorriente puesto a tierra no está disponible, se podrá usar un adaptador para conectar el aparato a un tomacorriente polarizado (Fig. 2).

El adaptador debe ser puesto a tierra mediante un tornillo de metal que conecte la lengüeta del adaptador a la placa del tomacorriente (Fig. 3).

**PRECAUCIÓN:** Antes de conectar el adaptador, asegúrese que el tomacorriente esté puesto a tierra. Si no está seguro, comuníquese con un electricista. Nunca use un adaptador sin estar seguro de que el tomacorriente esté puesto a tierra.

**NOTA:** Está prohibido usar un adaptador en el Canadá. Los aparatos de 220–240V, homologados por GS, están equipados con un enchufe europeo CEE 7/7.



El robot multifunción WFP14SC cuenta con un sello hermético único que permite procesar un gran volumen de líquido y vaciar el bol sin remover la cuchilla. Una vez más, Waring Commercial está revolucionando el mundo de la preparación culinaria. Gracias a esta característica y a su bol para procesado continuo, el WFP14SC de Waring Commercial es el robot de cocina más versátil del mercado.

## PIEZAS

El robot de cocina de WFP14SC incluye las piezas y accesorios siguientes (ver el diagrama a continuación):

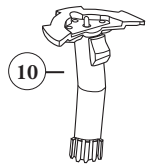
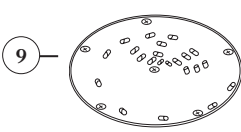
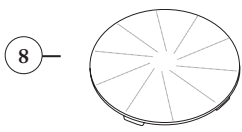
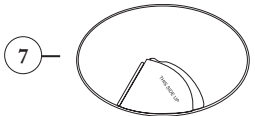
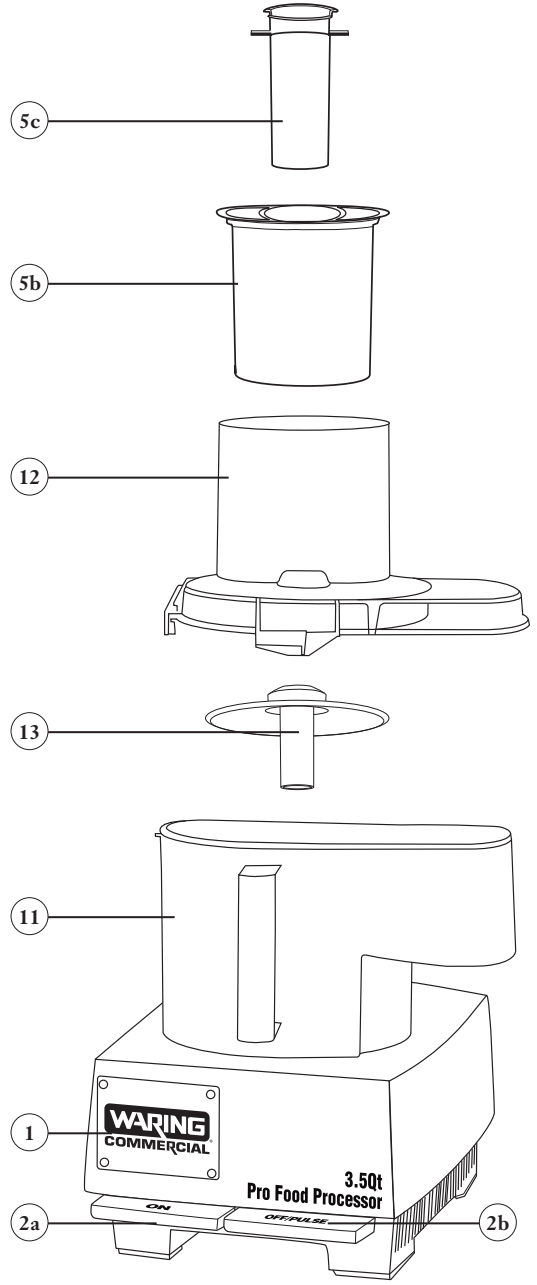
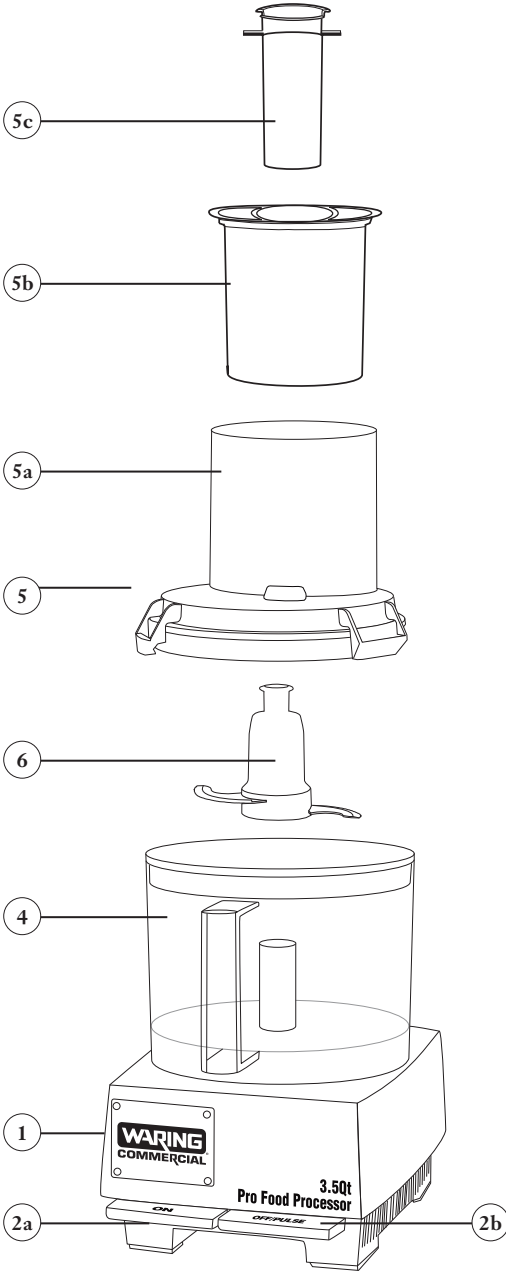
1. Sólido bloque-motor con resistente árbol motor
2. Dos botones de control
  - a. ON (encendido continuo)
  - b. OFF/PULSE (apagado/pulso)
3. Mecanismo de bloqueo de seguridad (no enseñado)

Impide que el aparato se ponga en marcha a menos que la tapa esté debidamente cerrada
4. Bol transparente con capacidad de 3.5 litros
5. Tapa transparente hermética
  - a. Boca de llenado ovalada y ancha, para reducir el tiempo de preparación
  - b. Empujador grande, ideal para los alimentos grandes
  - c. Empujador pequeño, ideal para los alimentos finos (zanahorias, apio, salchicha, etc.)

**Nota: El empujador pequeño encaja en el empujador grande. Este sistema de empujadores 2-en-1 permite procesar una gran variedad de alimentos.**

6. Cuchilla sellada que evita los derrames y permanece en posición al vaciar el bol. Ideal para picar, moler, licuar o mezclar.
7. Disco rebanador de 4 mm
8. Disco rallador de 2 mm
9. Disco triturador de 4 mm
10. Adaptador amovible

**Nota: los discos proveídos con el modelo WFP14SC deben usarse con el adaptador amovible. Éste ha sido especialmente diseñado para aumentar su eficacia.**
11. Bol para procesado continuo con asa
12. Tapa del bol para procesado continuo
13. Disco eyector





# ENSAMBLADO DEL BOL

## WFP14SC

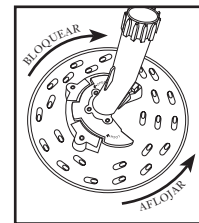
- Antes de usar el aparato por primera vez: Limpie y desinfecte el bloque-motor. Lave, enjuague y desinfecte el bol, la tapa, los empujadores y los accesorios.
- Coloque el aparato sobre una mesa o una encimera, cerca de un tomacorriente. Posiciónelo de manera que esté fácilmente accesible. Asegúrese que el aparato esté desconectado y apagado (OFF). No enchufe el aparato hasta haber terminado de ensamblar todas las piezas.
- Sostenga el bol con ambas manos, de manera que el asa apunte hacia su cuerpo.
- Haga coincidir el árbol motor con el cilindro en el centro del bol e instale el bol sobre la base. El asa se encontrará ligeramente a mano izquierda.
- Presione el bol hasta que encaje con la plataforma circular del bloque-motor. Gírelo en sentido antihorario para sujetarlo. El bol se bloqueará cuando las anclas en el lado de la plataforma encajen con el mismo.

### Instalación de la cuchilla

- Sostenga la cuchilla por el eje de plástico. Note la forma del eje. Éste ha sido diseñado para adaptarse al árbol motor.
- Haga coincidir el eje de la cuchilla con el árbol motor. Presione hacia abajo mientras gira la cuchilla. No debería encontrar resistencia. Presione con firmeza para sellar la cuchilla. Compruebe que esté bien asentada. En el caso contrario, podría dañarse y líquido podría derramarse. Los filos de la cuchilla son muy afilados. Nunca los toque. Siempre sostenga la cuchilla por la parte de plástico.
- Asegúrese que la cuchilla esté bien asentada, volteándola de un lado a otro. La cuchilla debería encontrarse prácticamente en el fondo del bol.
- Si usted desea utilizar el aparato con la cuchilla, puede agregar los ingredientes ahora.
- Procese los ingredientes secos, y luego los ingredientes líquidos.
- No pase la línea "MAX". Esto podría provocar un derrame. Si esto ocurriera, apague el aparato y vacíe parcialmente el bol.

### Instalación de los discos

- No llene la boca de llenado antes de haber instalado el disco.
- Elija el disco deseado.
- Sostenga el disco con el lado cortante hacia la palma de su mano, Teniendo cuidado de no cortarse. Conecte el disco al adaptador. Oprima el botón de liberación del adaptador, instale éste en el centro del disco y gire en sentido horario. Véase el dibujo a continuación.
- Una vez el disco conectado al adaptador, haga coincidir el adaptador con el árbol motor, de manera que las hendiduras en el adaptador coincidan con los resaltes en el árbol, y empuje para sujetarlo. Ponga el disco sobre el adaptador y gire hasta que encaje. Compruebe que esté bien asentado. Apriete los bordes del disco únicamente. Nunca toque los filos. No debería encontrar resistencia. En el caso contrario, gire ligeramente el disco hasta que encaje.



**Nota: No llene la boca de llenado antes de haber instalado el disco.**

(Continúa en la página siguiente)

## (Continuación)

- Coloque la tapa encima del bol, con la boca de llenado apuntando ligeramente hacia la derecha. Las anclas de la tapa deberían encontrarse a la izquierda de las anclas ubicadas en la parte delantera del bol.
- Gire la tapa en sentido antihorario para sujetarla. Una vez encajadas, las anclas desactivarán el sistema de seguridad magnético y se podrá encender el aparato.

**NOTA:** • El aparato no se pondrá en marcha a menos que la tapa esté debidamente cerrada. Este mecanismo de seguridad es muy importante.

***NUNCA INTENTE ENCENDER EL APARATO SI LA TAPA NO ESTÁ DEBIDAMENTE CERRADA.***

### **Juego de empujadores 2-en-1**

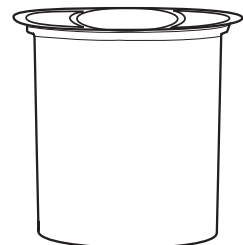
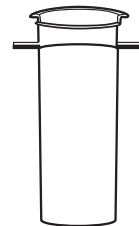
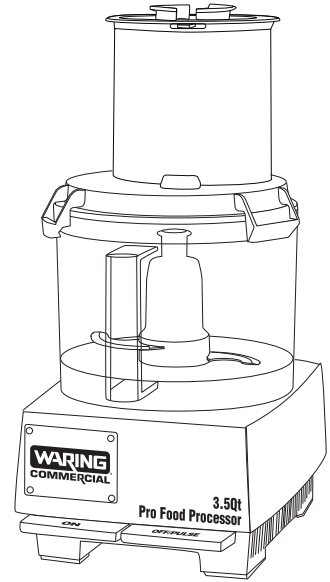
El juego de empujadores incluye dos empujadores: un empujador grande que encaja en la boca de llenado y un empujador pequeño que encaja en el empujador grande. Elija el empujador deseado. Utilice el empujador grande para cortar las verduras grandes. Utilice el empujador pequeño para cortar las verduras pequeñas o finas, o para tareas precisas, como cortar salchicha en rodajas.

### **Empujador grande**

Introduzca el empujador pequeño en el centro del empujador grande. Gire entonces el empujador pequeño en sentido horario para sujetarlo. Introduzca el empujador grande en la boca de llenado.

### **Empujador pequeño**

Gire el empujador pequeño en sentido anti horario para aflojarlo. Retírelo del empujador grande. Introduzca los alimentos en el centro del empujador grande y empújelos con el empujador pequeño.



# DESENSAMBLADO DEL BOL WFP14SC

**SIEMPRE DESENCHUFE EL APARATO ANTES DE DESENSAMBLARLO.**

- Gire la tapa en sentido horario hasta desencajar las anclas. Retire la tapa.
- Retire el empujador grande de la boca de llenado. Retire el empujador pequeño del empujador grande.

## **Remoción de la cuchilla:**

- Gire el bol en sentido horario para liberar las anclas. El asa debe encontrarse a mano izquierda para poder alzar el bol.

**Le aconsejamos que remueva el bol del bloque-motor antes de sacar la cuchilla.**

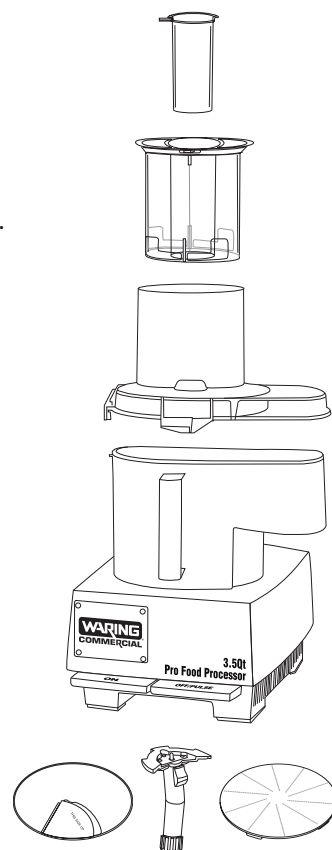
- Apriete la cuchilla mientras alza el bol. Esto impedirá que los alimentos se derramen hacia el bloque-motor. **IMPORTANTE: VACÍE EL BOL ANTES DE REMOVER LA CUCHILLA.** Para remover la cuchilla del bol, simplemente álcela. Los filos de la cuchilla son muy afilados. Manipúlela con sumo cuidado.

## **Remoción de los discos:**

- Remueva el disco antes de retirar el bol de la base.
- Sostenga el disco por los costados, entre dos dedos, y álcelo. Debería salir fácilmente. Para remover el adaptador amovible, sostenga el disco en una mano, teniendo cuidado de no cortarse. Oprima el botón de liberación del adaptador ubicado sobre éste y gire en sentido antihorario.
- Gire el bol en sentido horario para liberar las anclas. El asa debe encontrarse a mano izquierda para poder alzar el bol.

# ENSAMBLADO DEL BOL PARA PROCESADO CONTINUO

- Antes de usar el aparato por primera vez: Limpie y desinfecte el bloque-motor. Lave, enjuague y desinfecte el bol, la tapa, el disco eyector, los empujadores y los accesorios.
- Coloque el aparato sobre una mesa o una encimera, cerca de un tomacorriente. Posiciónelo de manera que esté fácilmente accesible. Asegúrese que el aparato esté desconectado y apagado (OFF). No enchufe el aparato hasta haber terminado de ensamblar todas las piezas.
- Sostenga el bol con ambas manos. El conducto de salida debería encontrarse a 110 grados y el asa a 160 grados a la derecha. Haga coincidir el árbol motor con el cilindro ubicado en el centro del bol.
- Presione el bol hasta que encaje con la plataforma circular del bloque-motor. Gire en sentido antihorario hasta que encaje.
- Introduzca el disco eyector sobre el árbol motor. Debería prácticamente tocar el fondo del bol.
- Elija el disco deseado. **Conecte el disco al adaptador, según se describió en la sección “Instalación de los discos”.**
- Sostenga el disco que desea usar con ambas manos. Tenga cuidado de no tocar los fillos del disco.
- Haga coincidir el eje del disco con el árbol del motor, de manera que las hendiduras en el eje coincidan con los resaltos en el árbol. No debería encontrar resistencia. En el caso contrario, gire ligeramente el disco hasta que encaje. Compruebe que esté bien asentado. Apriete los bordes del disco únicamente. Nunca toque los fillos. **No llene la boca de llenado antes de haber instalado el disco.**
- Coloque la tapa sobre el bol para procesado continuo. Las anclas de la tapa deberían encontrarse a la izquierda de las anclas en el bol. Presione la tapa y gírela hasta que se bloquee. Esto evitará que se alce durante el procesado.
- Las anclas del bol coincidirán con las anclas del bloque-motor, lo que activará el sistema de seguridad magnético. Este importante mecanismo de seguridad impide que el aparato se ponga en marcha a menos que la tapa esté debidamente cerrada. Una vez cerrada la tapa, se podrá encender el aparato, oprimiendo el botón ON o PULSE/OFF.



**NUNCA INTENTE ENCENDER EL APARATO SI LA TAPA NO ESTÁ DEBIDAMENTE CERRADA.**

## Juego de empujadores 2-en-1

El juego de empujadores incluye dos empujadores: un empujador grande que encaja en la boca de llenado y un empujador pequeño que encaja en el empujador grande. Elija el empujador deseado. Utilice el empujador grande para cortar las verduras grandes. Utilice el empujador pequeño para cortar las verduras pequeñas o finas, o para tareas precisas, como cortar salchicha en rodajas.

## DESENSAMBLADO DEL BOL PARA PROCESADO CONTINUO

SIEMPRE DESENCHUFE EL APARATO ANTES DE DESENSAMBLARLO.

- Gire la tapa en sentido horario hasta desencajar las anclas.
- Cuando la boca de salida se encuentre a mano derecha, casi en el centro, alce la tapa. No se olvide de abrir el cierre de la tapa antes de retirarla.
- Retire el empujador grande de la boca de llenado. Retire el empujador pequeño del empujador grande.
- Para retirar el disco, ponga dos dedos debajo de cada lado y álcelo. Los filos del disco son muy afilados. Tenga cuidado de no tocarlos. **Retire el adaptador según se describió en la sección “Remoción de los discos”.**
- Retire el bol del bloque-motor. Si la boca de salida está en el centro a mano derecha, sólo necesitará alzarlo. Si no fuera el caso, gírelo en sentido horario para liberar las anclas en la plataforma del bloque-motor.

# FUNCIONAMIENTO DEL APARATO

Enchufe el cable en un tomacorriente de 120V (60 Hz).

- El aparato cuenta con dos botones de control, los cuales son convenientemente posicionados, fáciles de usar y suficientemente grandes como para encontrarse fácilmente en caso de emergencia.

Los dos controles son: ON (encendido continuo)  
PULSE/OFF (pulso/apagado)

Modo de funcionamiento: ON: Oprima este botón para encender el aparato.  
PULSE/OFF: Oprima este botón una vez para apagar el aparato.

Oprímalo repetidamente para usar la función de pulso. El motor permanecerá encendido hasta que suelte el botón. Pruébalo varias veces.

## MODO DE EMPLEO

### Encendido continuo

Oprima el botón ON.

### Función de pulso

La función de pulso solamente debe usarse con la cuchilla, no con los discos.

- Para usar la función de pulso, oprima repetidamente el botón PULSE/OFF. El motor permanecerá encendido hasta que suelte el botón.
- La función de pulso le ofrece más control, ya que le permite controlar con precisión la cantidad y la duración de cada pulso. Permita que los alimentos bajen al fondo del bol entre dos pulsos.
- La función de pulso es muy conveniente para controlar la consistencia de los alimentos. Permite obtener exactamente los resultados deseados.
- También es conveniente para picar alimentos duros. Utilice la función de pulso para quebrar los alimentos, luego termine de picarlos con la función de encendido continuo.
- Siempre utilice el botón PULSE/OFF para activar la función de pulso. Nunca intente controlar las pulsaciones moviendo el bol o la tapa. Esto podría dañar el aparato.

### Para apagar el aparato:

Siempre oprima el botón PULSE/OFF y espere hasta que la cuchilla o el disco esté completamente inmóvil antes de abrir la tapa. Esto demorará tan sólo segundos.

# PREPARACIÓN DE LOS ALIMENTOS

- Lave todos los alimentos antes de procesarlos. Pele las frutas/verduras si fuera necesario. Quite las pepas, pepitas y semillas grandes.
- Corte los alimentos, por ejemplo las verduras, la carne o el queso, al tamaño deseado. Si desea utilizar los discos, los pedazos deberían caber en la boca de llenado.
- Preparación para rebanar: Corte ambos lados de los alimentos largos como las zanahorias, los pepinos o el apio. Esto mejorará la consistencia de las rodajas.

## SELECCIÓN DEL EMPUJADOR

### **Nota – Cuando use la cuchilla:**

Aunque puede introducir alimentos en la boca de llenado durante el funcionamiento, es preferible dejar el empujador grande en la boca de llenado para evitar salpicaduras.

### **Empujador pequeño**

El empujador pequeño sirve para empujar los alimentos introducidos verticalmente en el centro del empujador grande. Permite obtener pedazos más cortos. Se usa típicamente para cortar en rodajas zanahorias, apio, salchicha seca y otros alimentos largos y finos.

Es ideal para rallar en pedazos cortos y cortar en rodajas pequeñas.

### **Empujador grande**

El empujador grande sirve para empujar alimentos introducidos horizontalmente en la boca de llenado. Permite obtener pedazos más largos.

Se usa típicamente para rallar en pedazos largos, cortar en rodajas largas y procesar alimentos enteros, como papas o cebollas.

## DISPOSITIVO DE PROTECCIÓN DEL MOTOR

Este aparato está dotado de un dispositivo de protección térmica que apaga automáticamente el motor en caso de recalentamiento.

Si esto ocurriera, apague y desenchufe el aparato. Vacíe el bol y tire los alimentos procesados. Permita que el motor enfríe durante 5 minutos.

Vuelva a conectar el aparato y hágalo funcionar, vacío, durante algunos segundos. Luego, llene el bol y continúe.

Si el aparato no funcionara debidamente después seguir estos pasos, deje de usarlo y comuníquese con un centro de servicio autorizado.

# CAPACIDADES MÁXIMAS

No exceda las cantidades máximas indicadas en la tabla a continuación:

ALIMENTOS	CAPACIDAD
Frutas/verduras picadas o puré de frutas/verduras	475 g
Carne, pescado o marisco picado o molido	1 kg
Frutas, vegetales o queso cortados en rodajas	1.5 kg

## UTILIZACIÓN DE LA CUCHILLA

1. Corte los alimentos en pedazos de 2.5 cm.
  2. Instale la cuchilla y llene el bol. Cierre la tapa y cerciórese que los empujadores estén debidamente puestos. Oprima y luego afloje el botón PULSE/OFF dos o tres veces. Permita que los alimentos bajen al fondo del bol entre dos pulsos.
  3. Utilizar la función de pulso evita sobreprocesar los alimentos. Inspeccione la textura de los alimentos a menudo. Siga pulsando hasta obtener la consistencia deseada. Ciertos alimentos, como la cebolla, suelen licuarse muy rápidamente. Averigüe su textura después de cada pulso.
- Para obtener resultados uniformes, utilice pedazos del mismo tamaño.

No procese cantidades de alimentos más altas que las recomendadas.

- Cuando procese líquidos, no pase la línea “MAX”.

## CÓMO VACIAR EL BOL

1. Apague el aparato y espere hasta que la cuchilla esté completamente inmóvil antes de retirar la tapa.
2. Retire el bol de la base. Si está bloqueado, sosténgalo por el asa y gírelo rápidamente de la derecha a la izquierda.
3. Si está usando un disco, retírelo antes de vaciar el bol. Si está usando la cuchilla, puede dejarla en el bol para vaciarlo. Utilice una espátula para vaciar el bol. **NUNCA INTRODUZCA LOS DEDOS EN EL BOL CUANDO LA CUCHILLA AÚN ESTÁ ADENTRO DE ÉSTE.**



## USOS ESPECIALES DE LA CUCHILLA

Para picar alimentos duros como el ajo, encienda el aparato e eche los alimentos por la abertura en el centro del empujador grande. Los alimentos pequeños como el ajo pueden introducirse enteros. Este método es ideal para picar ajo, chalote y cebolla. Para moler carne o queso, utilice pedazos de 2.5 cm. Oprima el botón PULSE/OFF durante 1–2 segundos, 3 veces seguidas. Después, oprima el botón ON y procese durante 30 segundos adicionales.

Si el queso es demasiado duro como para cortarse con cuchillo, no intente picarlo. Esto podría dañar la cuchilla o el aparato.

## USOS DEL DISCO REBANADOR

### Frutas y vegetales redondos (cebollas, manzanas, etc.)

Preparación: Corte la parte inferior de la fruta/verdura para que repose bien recto sobre el disco. Introduzca la fruta/verdura en la boca de llenado, en lado cortado primero, y lo más posible hacia la izquierda para que no mueva durante el procesado. Elije frutas maduras, pero firmes. Siempre retire las colas, pepas, huesos y semillas. No es necesario quitar las pepas de los cítricos. Tampoco es necesario pelarlos.

### Para cortar pimientos en rodajas:

Córtelo del lado de la cola. Quite el corazón y las semillas con una cuchara. No corte el otro lado del pimiento. Esto producirá rodajas más redondas y uniformes.

### Frutas grandes (piña, melón, etc.)

Corte la fruta por la mitad y retire el corazón o las pepas. Corte cada mitad en pedazos más pequeños si fuera necesario. Corte la parte de arriba y la parte de abajo.

### Col, lechuga y otras verduras con corazón duro

Corte la parte de arriba y la de abajo, y luego córtela verticalmente por la mitad. Quite el corazón y corte la verdura en pedazos más pequeños si fuera necesario, siempre verticalmente.

### Si los pedazos nos caben en la boca de llenado:

introdúzcalos por la parte de abajo, la cual es ligeramente más ancha.

### Posicione los alimentos según el resultado deseado:

horizontalmente para obtener rodajas largas, o verticalmente para obtener rodajas cortas. Apriete los alimentos en la boca de llenado, pero no la sobrecargue. Siempre use los empujadores para empujar los alimentos. Nunca introduzca los dedos ni algún utensilio en la boca de llenado.

Nunca empuje el empujador con mucha fuerza. Emplee presión leve para empujar el queso y los alimentos suaves (bananos, champiñones, fresas, tomates). Emplee presión moderada para empujar los alimentos firmes (manzanas, apio, cítricos, papas). Emplee presión firme para empujar los alimentos duros (zanahorias).

## **Pequeñas frutas y hortalizas redondas (fresas, rábanos, champiñones, etc.)**

Corte las frutas/hortalizas por ambos lados. Introdúzcalas en la boca de llenado, un lado cortando hacia abajo. La boca de llenado podrá llenarse hasta 2.5 cm de la cumbre. Las primeras rodajas son perfectas para servir de aderezo. Si desea que todas las rodajas tengan exactamente el mismo espesor, procese una capa de frutas/hortalizas a la vez.

## **Frutas y vegetales largos (bananos, apio, calabacines, etc.)**

Córtelos en pedazos más pequeños si fuera necesario. Córtelos por ambos lados. Mida los pedazos con una regla o con el empujador antes de introducirlos en la boca de llenado. Posicione los pedazos verticalmente en la boca de llenado, de manera que no se puedan mover durante el procesado.

## **Pequeñas cantidades**

Introduzca los alimentos en el centro del empujador grande y empújelos con el empujador pequeño. Retire el empujador pequeño del empujador grande. Introduzca el empujador grande en la boca de llenado y sujételo. Corte los alimentos en pedazos más pequeños si fuera necesario. Si los alimentos son largos y finos (por ejemplo zanahorias), colóquelos lo más posible a la izquierda para que no se muevan. Si los alimentos son más ancho de un lado que de otro, córtelos por la mitad y júntelos en pares de manera que cada lado tenga aproximadamente el mismo diámetro.

## **Habichuelas estilo francés**

Corte las habichuelas por ambos lados para que quepan horizontalmente en la boca de llenado. Escáldelas en agua hervida salada durante 60 segundos, y luego póngalas inmediatamente en agua helada para detener la cocción. Una vez frías, escúrralas y séquelas. Dispóngalas horizontalmente en la boca de llenado, llenando ésta hasta 2.5 cm de la cumbre. Utilice el disco rebanador. Asegúrese que el empujador pequeño esté asegurado. Utilice el modo PULSE/OFF para cortar las habichuelas en lonjas finas. Utilice el mismo método para cortar las zanahorias y los calabacines crudos en rodajas largas y oblicuas.

## **Juliana de frutas o de vegetales**

Preparar una Juliana consiste en cortar las frutas o los vegetales dos veces, para obtener tiras largas y muy delgadas. Introduzca las frutas o los vegetales (papas, nabos, calabacines, manzanas, etc.) horizontalmente en la boca de llenado. Utilice el modo PULSE/OFF para cortarlos en rodajas. Obtendrá así rodajas largas. Retire las rodajas del bol. Introdúzcalas verticalmente en la boca de llenado. Córtelas otra vez. Obtendrá tiras largas y delgadas.

# **CARNE Y AVES**

## **Carne/aves cocinados**

La carne debe estar muy fría. Corte la carne en pedazos más pequeños si fuera necesario. Para preparar Juliana de jamón o Bolonia, enrolle varias lonchas juntas para formar rollos. Coloque cuantos más rollos posible verticalmente en la boca de llenado. Para obtener resultados óptimos, utilice lonchas cuadradas o rectangulares.

## **Carne/aves crudos**

Córtelos en pedazos suficientemente pequeños como para caber en la boca de llenado. Generalmente, las pechugas deberán cortarse longitudinalmente por la mitad. Utilice pechugas deshuesadas y sin piel. Envuelva los pedazos en una película de plástico y póngalos en el congelador. Una vez semi-congelada (está dura al tacto, pero se puede perforar fácilmente con la punta de un cuchillo afilado), está lista. Coloque los pedazos horizontalmente o verticalmente en la boca de llenado, según los resultados deseados.

## **Salchichas, salami, etc.**

Congele las salchichas tiernas hasta que estén duras al tacto pero que se puedan perforar fácilmente con la punta de un cuchillo afilado. No es necesario congelar las salchichas duras. Introduzca las salchichas una por una en el centro del empujador grande. Corte las salchichas grandes en pedazos suficientemente pequeños como para caber en la boca de llenado. Disponga los pedazos verticalmente en la boca de llenado, de manera que no se muevan durante el procesado.

## **QUESO**

### **Quesos duros como el queso suizo y el queso Cheddar.**

Corte el queso en pedazos suficientemente pequeños como para caber en la boca de llenado. Congélelo hasta que esté duro al tacto pero que se pueda perforar fácilmente con la punta de un cuchillo afilado. Llene la boca de llenado y procese, empujando suavemente.

**IMPORTANTE:** Nunca intente cortar queso suave en rodajas. Solamente procese queso duro, como el queso Parmesano. No utilice pedazos de más de 9 x 2 x 10 cm. El queso debería estar muy frío. Le aconsejamos que refrigere el queso durante 1 hora antes de rebanarlo. No intente rebanar mozzarella. Esto podría dañar el aparato.

## **USO DEL DISCO RALLADOR**

Lave todos los alimentos antes de procesarlos. Pele las frutas/verduras si fuera necesario. Quite las pepas, pepitas y semillas grandes. Corte los alimentos en pedazos más pequeños si fuera necesario. Coloque los alimentos en la boca de llenado deseada, horizontalmente para obtener pedazos largos o verticalmente para obtener pedazos cortos.

Nunca intente rallar queso suave. Solamente ralle queso duro, como el queso Parmesano. No utilice pedazos de más de 9 x 2 x 10 cm. El queso debería estar muy frío. Le aconsejamos que refrigere el queso durante 1 hora antes de rallarlo. No intente rallar mozzarella. Esto podría dañar el aparato.

Para evitar que el motor sobrecaliente, se aconseja empujar, y luego aflojar el empujar sucesivamente, hasta que el queso esté rallado. Rallar queso cansa más el motor que otras tareas. Por eso es preferible no ejercer presión continua.

Este robot puede rallar hasta 4.5 kg de queso en menos de 5 minutos. Permita que el aparato descansa durante 5 minutos después de 5 minutos de funcionamiento continuo.

Vacíe el bol antes de que el queso alcance la capacidad máxima.

## USO DEL DISCO TRITURADOR

- Lave todos los alimentos antes de procesarlos. Pele las frutas/verduras si fuera necesario. Quite las pepas, pepitas y semillas grandes. Corte los alimentos en pedazos más pequeños si fuera necesario. Coloque los alimentos en la boca de llenado deseada, horizontalmente para obtener pedazos largos, o verticalmente para obtener pedazos cortos.
- Nunca intente triturar queso suave. Solamente use queso duro. Puede triturar mozzarella, pero debe estar muy fría. No utilice pedazos de más de 2 x 9 x 10 cm con el modelo WFP11S o 2,5 x 9 x 10 cm con el modelo WFP14S. Refrigere la mozzarella durante 1 hora antes de triturarla. Utilice la función de pulso para triturar queso.
- Vacíe el bol antes de que el queso alcance la capacidad máxima.

# RESOLUCIÓN DE PROBLEMAS

Esta sección describe los problemas más comunes. Si esta lista no soluciona su problema, por favor comuníquese con su distribuidor local. Consulte la lista de los centros de servicio autorizados, proveída con el aparato.

## El aparato no se enciende

- Desconecte el aparato y enchúfelo en otro tomacorriente.
- Oprima el botón ON .
- Asegúrese que el bol esté debidamente instalado, que la tapa esté bien cerrada y que las anclas estén encajadas.

## El aparato se apaga durante el uso

- Puede que el motor haya sobrecalentado. Véase la sección “Dispositivo de protección del motor”.
- Apague y desconecte el aparato.
- Retire el bol del bloque-motor.
- Vacíe el bol.
- Permita que el aparato enfríe durante 5 minutos.
- Vuelva a instalar el bol, cierre la tapa y haga funcionar el aparato, vacío, durante unos segundos antes de volver a llenar el bol.

## El aparato no alcanza la velocidad máxima

- Vacíe el bol e intente procesar menos alimentos a la vez.

## Si el aparato aún no funciona correctamente:

- Averigüe que el tomacorriente está funcionando.
- Averigüe que el cortacircuito está encendido.
- Averigüe que el fusible no está quemado.
- Comuníquese con el distribuidor local.

## El aparato produce chispas o humo

- Apague y desconecte el aparato. Comuníquese con un centro de servicio autorizado.

## El aparato rechina

- Apague y desconecte el aparato. Averigüe que la cuchilla no está tocando el bol.
- Si la cuchilla está tocando el bol, comuníquese con el distribuidor local.

# LIMPIEZA

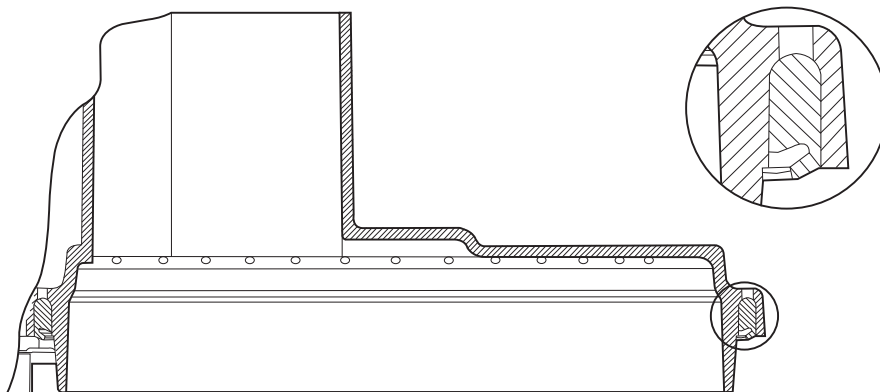
Limpie el aparato y todos los accesorios antes del primer uso y después de cada uso. No utilice detergentes abrasivos en ninguna parte del aparato. Restriegue el árbol motor con un cepillo pequeño.

Lave, enjuague, desinfecte y seque el bol, el bol para procesado continuo, las tapas, los empujadores, los discos y la cuchilla antes del primer uso y después de cada uso, al menos que los vuelva a utilizar inmediatamente. Todos los accesorios son aptos para lavavajillas.

Seque todos los accesorios antes de ensamblarlos otra vez.

El sello hermético de la tapa es removible y debe limpiarse regularmente. Notará tres pequeños orificios en el borde de la tapa. Para retirar el sello, simplemente introduzca un objeto fino como un palillo o un clip en los orificios y empuje el sello fuera de la ranura. **NO UTILICE OBJETOS AFILADOS. ESTO PODRÍA LASTIMAR EL SELLO.** Lave el sello en agua jabonosa tibia, y luego enjuáguelo y séquelo. Una vez seco, inserte el borde redondeado del sello en la ranura, apretando todo alrededor con los dedos. Asegúrese que el sello esté bien puesto. Véase el dibujo a continuación.

Nota: La solapa del sello debe apuntar hacia abajo y dentro.



Restriegue la cuchilla y los discos con un cepillo duro antes de lavarlos. Manipule los discos y la cuchilla con sumo cuidado. Sus filos son muy afilados.

Para lavar los accesorios a mano, le recomendamos que utilice soluciones limpiadoras a base de detergente sin espuma y soluciones desinfectantes con una concentración mínima de cloro de 100 ppm. Se podrán usar las soluciones siguientes o sus equivalentes:

SOLUCIÓN	PRODUCTO	PROPORCIÓN DE DILUCIÓN	TEMPERATURA
Para limpiar	*Ajax® en polvo	2 cucharadas por 9.5 litros de agua	Caliente 46 °C (115 °F)
Para enjuagar	Agua		Tibia 35 °C (95 °F)
Para sanear	**Cloro ordinario o Clorox®	1 cucharada por 4 litros de agua	Fría 10 °C (50 °F)

\*Ajax® es una marca registrada de Colgate-Palmolive Company.

\*\*Clorox® es una marca registrada de Clorox Company.

## **Limpieza del bloque-motor**

Limpie y sanee el bloque-motor antes del primer uso y después de cada uso. Desconecte el aparato y limpie la base con una esponja o un paño ligeramente humedecido con detergente líquido. Después, enjuague la base con una esponja o un paño ligeramente humedecido con agua. Estruje bien la esponja o el paño para evitar que agua penetre adentro del aparato.

## **NUNCA SUMERJA EL BLOQUE-MOTOR EN AGUA U OTRO LÍQUIDO**

Permita que la base seque antes de usar el aparato.

Nunca utilice detergentes abrasivos en ninguna parte del aparato.

# **GARANTÍA LIMITADA**

**GARANTÍA LIMITADA DE CINCO AÑOS (MOTOR)**

**GARANTÍA LIMITADA DE DOS AÑOS (MATERIAL Y FABRICACIÓN)**

Waring Commercial garantiza el motor de este aparato contra todo defecto de materiales o fabricación durante cinco años a partir de la fecha de compra, siempre en cuando el aparato haya sido usado con alimentos, líquidos no abrasivos (a excepción de detergentes) y semi-líquidos no abrasivos, y que no haya sido sujeta a cargas que excedan su máxima capacidad. Todas las otras piezas del aparato están garantizadas durante un periodo de dos años a partir de la fecha de compra.

Bajo esta garantía, Waring Commercial reparará o reemplazará toda pieza que, tras estar inspeccionada por nuestro servicio posventa, demuestre defectos de materiales o fabricación, siempre que el producto se regrese a un centro de servicio autorizado o se entregue con franqueo pagado a: 314 Ella T. Grasso Ave., Torrington, CT 06790.

Esta garantía: a) no se aplica a ningún producto desgastado, defectuoso, dañado o roto debido a uso, reparaciones/servicio realizados por personas no autorizadas, o abuso, mal uso, sobrecarga o daños intencionales; b) no cubre daños incidentales o consecuentes de ningún tipo.

Esta garantía es válida solamente para los aparatos comprados en los Estados Unidos y el Canadá y reemplaza todas las demás declaraciones expresas de garantía. La garantía de los productos Waring adquiridos fuera de los Estados Unidos y del Canadá es la responsabilidad del importador o distribuidor local. Los derechos de garantía pueden variar según las regulaciones locales.

El utilizar este aparato con corriente directa (C.D.) invalidará la garantía.

# IMPORTANTES CONSIGNES DE SÉCURITÉ

L'utilisation d'appareils électriques requiert la prise de précautions élémentaires, parmi lesquelles les suivantes :

- 1. Lire toutes les instructions.**
2. Les lames sont très coupantes. Manipuler avec précaution.
3. Comme c'est le cas avec tout appareil ménager, il vous faudra être prudent lorsque vous utilisez le robot de cuisine Waring®. Bien que simple d'utilisation, ce robot ne devrait être utilisé que par des personnes vigilantes. Il ne devrait pas être utilisé par ou près d'enfants ou de personnes souffrant d'un certain handicap.
4. Afin de prévenir tout risque de blessure, ne jamais installer le couteau ou les disques avant de vous être assuré que le bol est bien installé.
5. Tout contact avec le couteau ou le disque alors que l'appareil est en marche pourrait provoquer des blessures graves ou bien endommager l'appareil. Maintenir les mains et les ustensiles loin des éléments en mouvement. Vous pouvez utiliser une spatule en plastique une fois que l'appareil est arrêté.
6. Afin de prévenir tout risque de choc électrique, ne jamais placer le socle dans l'eau ou tout autre liquide.
7. Débrancher l'appareil après usage et avant toute manipulation (y compris vider le bol) ou entretien. Saisir le cordon d'alimentation par la fiche. Ne jamais tirer sur le cordon.
8. Éviter tout contact avec les éléments en mouvement. Ne jamais introduire la main ou les doigts dans l'entonnoir alors que l'appareil est en marche. Utiliser le poussoir.
9. Attendre que le moteur soit à l'arrêt avant de retirer le couvercle.
10. Ne pas utiliser l'appareil si le cordon d'alimentation ou la fiche sont endommagés, s'il ne fonctionne pas correctement, s'il est tombé ou s'il est abîmé. Envoyer l'appareil à un service après-vente autorisé afin qu'il soit inspecté, réparé ou réglé au besoin.
11. L'utilisation d'accessoires non recommandés ou vendus par le fabricant peut présenter un risque d'incendie, d'électrocution ou de blessure.
12. Ne pas l'utiliser à l'air libre.
13. Ne pas laisser le cordon pendre au bord d'une table ou d'un plan de travail, ni entrer en contact avec des surfaces chaudes.
14. Ne pas essayer de forcer le mécanisme de sécurité de l'appareil.
15. Vérifier que le couvercle est bien fermé avant de mettre l'appareil en marche.
16. En cas de mauvais fonctionnement de l'appareil pendant l'utilisation, jeter le contenu du bol.
17. Cet appareil ne devrait pas être utilisé par des enfants ou des personnes souffrant d'un handicap physique, mental ou sensoriel, ou qui ne disposent pas des connaissances ou de l'expérience nécessaires, à moins qu'une personne responsable de leur sécurité leur en ait expliqué le fonctionnement ou les encadre.
18. Il convient de surveiller les enfants afin de s'assurer qu'ils ne jouent pas avec l'appareil.



# INSTRUCTIONS DE MISE À LA TERRE

Pour votre protection, votre appareil est doté d'un cordon avec mise à la terre.

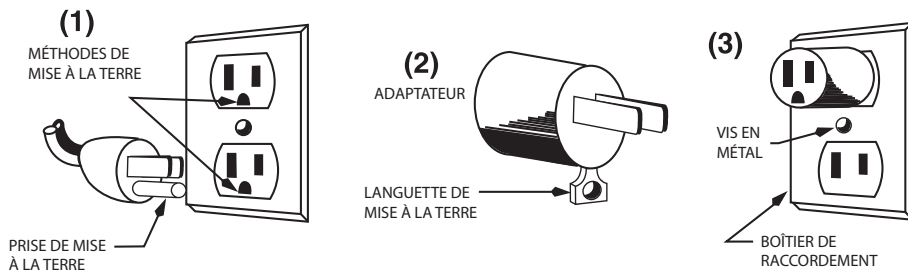
Les appareils de 120V sont équipés d'une fiche à trois broches de type NEMA5-15P. Cette fiche doit être branchée dans une prise de terre correctement configurée (Fig. 1).

Vous pouvez utiliser un adaptateur temporaire (Fig. 2) pour brancher l'appareil dans une prise polarisée jusqu'à ce que vous fassiez installer une prise de terre par un électricien.

Afin d'assurer la mise à la terre, la languette de l'adaptateur doit être fixée au boîtier par une vis en métal (Fig. 3).

**ATTENTION** : Vérifier que le boîtier est mis à la terre avant d'utiliser l'adaptateur. En cas de doute, demander conseil à un électricien. Ne jamais utiliser un adaptateur, à moins qu'il ne soit correctement mis à la terre.

**REMARQUE** : L'utilisation d'un adaptateur comme celui mentionné ci-dessus est interdite au Canada. Les appareils de 220–240V, homologués GS, sont équipés d'une prise européenne CEE 7/7.



Le robot de cuisine WFP14SC est doté d'un système d'étanchéité unique qui permet de mixer de plus grandes quantités de liquide et de vider le bol sans avoir à enlever la lame. Une fois encore, Waring révolutionne le monde de la préparation culinaire. Grâce à ce système et à son bol à débit continu, le WFP14SC de Waring Commercial est le robot de cuisine le plus polyvalent du marché.

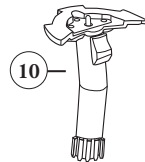
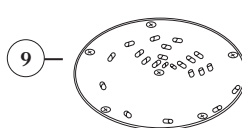
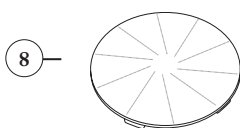
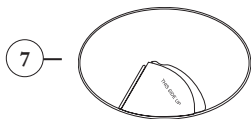
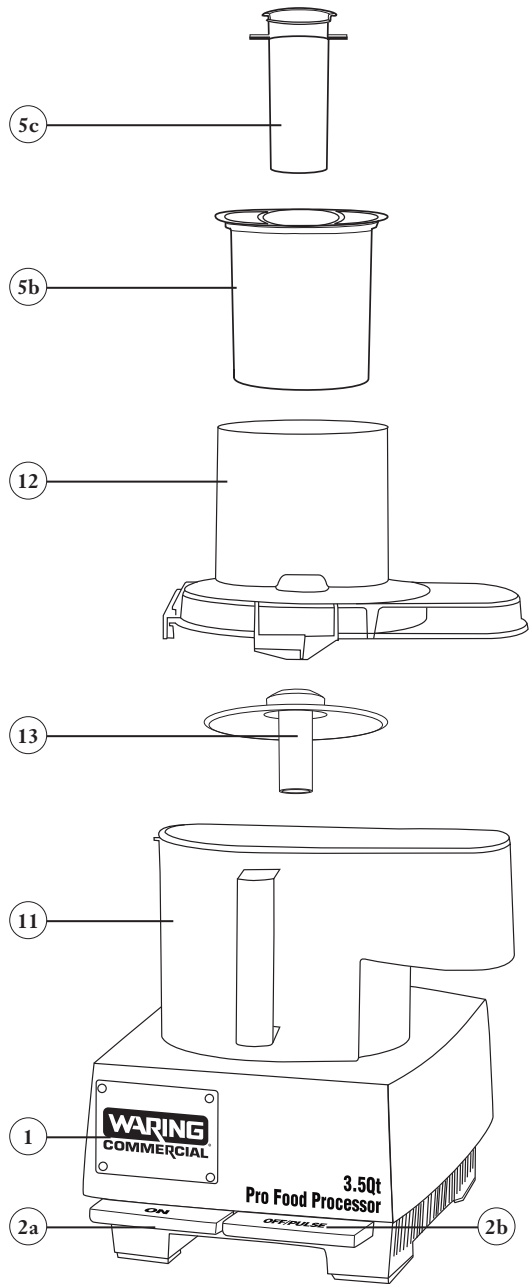
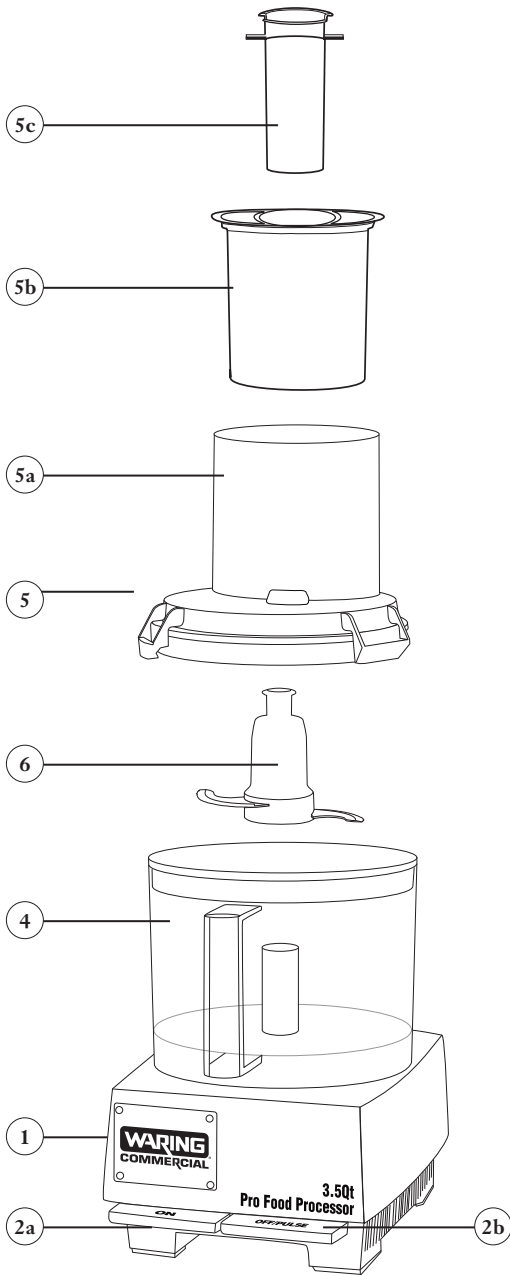
# PIÈCES

Le robot de cuisine WFP14SC comprend les pièces et accessoires suivants (voir le diagramme ci-contre) :

1. Socle-moteur avec arbre moteur à usage intensif
2. Deux boutons de commande
  - a. ON (marche)
  - b. OFF/PULSE (arrêt/pulse)
3. Mécanisme de verrouillage (non montré)  
Empêche l'appareil de se mettre en marche si le couvercle n'est pas bien fermé
4. Bol transparent d'une capacité de 3,5 litres
5. Couvercle transparent étanche
  - a. Large entonnoir ovale, pour réduire le temps de préparation
  - b. Gros poussoir, idéal pour les gros aliments
  - c. Petit poussoir, idéal pour les aliments fins (carottes, céleri, saucisse, etc.)

**Remarque : Le petit poussoir s'emboîte dans le gros poussoir. Ce système de poussoir 2-en-1 permet d'utiliser l'appareil pour préparer une grande variété d'aliments.**

6. Couteau étanche qui évite les fuites et reste en place lorsqu'on vide le bol. Idéal pour hacher, moudre, réduire en purée et mélanger.
7. Disque à trancher de 4 mm
8. Disque à râper de 2 mm
9. Disque à émincer de 4 mm
10. Adaptateur amovible  
**Remarque : les disques fournis avec le modèle WFP14SC doivent être utilisés avec l'adaptateur amovible. Celui-ci a été spécialement conçu pour améliorer leur efficacité.**
11. Bol à débit continu avec poignée
12. Couvercle du bol à débit continu
13. Disque éjecteur



# ASSEMBLAGE DU BOL NORMAL

## WFP14SC

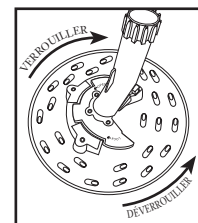
- Nettoyer et désinfecter le socle. Laver, rincer et désinfecter le bol, le couvercle, l'entonnoir, les poussoirs et les accessoires avant d'utiliser l'appareil pour la première fois.
- Placer l'appareil sur un plan de travail ou une table, à proximité d'une prise de courant, et de façon à faire face aux boutons de commande. Vérifier que l'appareil est débranché et que le bouton de commande OFF est enclenché. Ne pas brancher l'appareil avant d'avoir terminé l'assemblage.
- Tenir le bol entre les deux mains, la poignée face à vous.
- Aligner l'arbre moteur avec le cylindre qui se trouve au centre du bol. La poignée devrait se trouver légèrement du côté gauche.
- Enfoncer le bol sur le socle, et le tourner dans le sens inverse des aiguilles d'une montre jusqu'à ce qu'il se bloque.

### Installation du couteau

- Tenir le couteau par la partie en plastique. Notez son axe, conçu pour s'emboîter sur l'arbre moteur.
- Aligner l'axe du couteau avec celui du moteur.  
Enfoncer, en tournant légèrement jusqu'à ce que le couteau s'emboîte. Vous ne devriez pas rencontrer de résistance. Pousser fermement pour bloquer le couteau et créer un sceau hermétique. Vérifier qu'il est bien enfoncé. S'il ne l'était pas, il pourrait être endommagé et il pourrait y avoir des fuites. Ne jamais toucher le couteau, celui-ci étant très aiguisé. Toujours le tenir par la partie plastique.
- Vérifier que le couteau est bien engagé, en le faisant pivoter d'avant en arrière. La lame inférieure du couteau devrait pratiquement toucher le fond du bol.
- Si vous souhaitez utiliser l'appareil avec le couteau, vous pouvez maintenant mettre les ingrédients dans le bol.
- Commencer par les ingrédients secs, puis les liquides.
- Ne pas dépasser la ligne de remplissage maximum. Les ingrédients liquides pourraient déborder. Si cela se produisait, arrêter l'appareil, puis vider partiellement le bol avant de continuer.

### Installation des disques

- Installer le disque avant de remplir l'entonnoir.
- Choisir le disque voulu.
- Tenir le disque de façon à ce que le côté coupant se trouve du côté de votre paume, en prenant garde de ne pas toucher les lames ou les râpes. Connecter le disque à l'adaptateur. Appuyer sur le bouton de déverrouillage de l'adaptateur, l'enfoncer au centre du disque et tourner dans le sens des aiguilles d'une montre (voir le diagramme).
- Une fois que l'adaptateur est en place, l'aligner avec l'arbre moteur et l'enfoncer sur ce-dernier  
(les deux rivets dans l'arbre moteur s'emboîtent dans les fentes sur le moyeu de l'adaptateur pour maintenir ce-dernier en place). Placer le disque sur l'arbre et le faire tourner jusqu'à ce qu'il s'emboîte. Vérifier qu'il est bien enfoncé. Pousser sur les bords du disque uniquement. Ne jamais toucher les lames ou les râpes. Vous ne devriez pas rencontrer de résistance. En cas de difficulté, tourner le disque légèrement jusqu'à ce qu'il s'emboîte sur l'arbre.



**Remarque : Ne pas remplir le bol.**

**(À suivre en page suivante)**

(Suite)

- Placer le couvercle sur le bol, l'entonnoir du côté droit. Les pattes de verrouillage du couvercle devraient se trouver à gauche des pattes situées sur le devant du bol.
- Tourner le couvercle dans le sens inverse des aiguilles d'une montre pour le fermer. Une fois le couvercle en place, les pattes situées à l'arrière du bol engageront le mécanisme de sécurité et vous pourrez mettre l'appareil en marche.

**REMARQUE :** L'appareil ne fonctionnera pas si le couvercle n'est pas correctement fermé. Ce mécanisme de sécurité est très important et ne devrait pas être contré.

***NE JAMAIS ESSAYER DE METTRE L'APPAREIL EN MARCHÉ ALORS QUE LE COUVERCLE N'EST PAS BIEN FERMÉ.***

### **Poussoir 2-en-1**

Cet appareil est doté de deux poussoirs : un gros poussoir s'emboîtant dans l'entonnoir, et un petit poussoir s'emboîtant dans le gros poussoir. Choisir le poussoir désiré.

Utiliser le gros poussoir pour les gros légumes. Utiliser le petit poussoir pour les aliments requérant une coupe plus précise, comme par exemple les petits légumes, les légumes fins ou les saucisses.

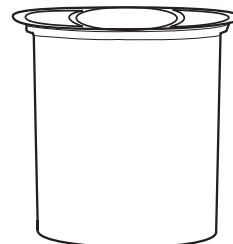
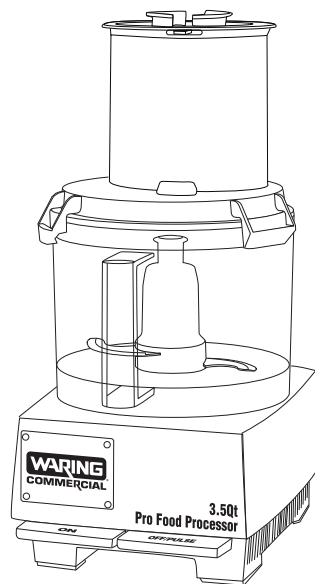
### **Gros poussoir**

Introduire le petit poussoir dans le gros poussoir.

Une fois en place, tourner le petit poussoir dans le sens des aiguilles d'une montre pour le bloquer. Introduire alors le gros poussoir dans l'entonnoir.

### **Petit poussoir**

Tourner le petit poussoir dans le sens inverse des aiguilles d'une montre pour le débloquer. Le dégager du gros poussoir. Introduire les aliments dans la goulotte au centre du gros poussoir et les pousser à l'aide du petit poussoir.



# DÉSASSEMBLAGE DU BOL NORMAL WFP14SC

## **TOUJOURS DÉBRANCHER L'APPAREIL AVANT DE LE DÉSASSEMBLER.**

- Tourner le couvercle dans le sens des aiguilles d'une montre pour débloquer les pattes. Retirer le couvercle.
- Retirer le gros poussoir de l'entonnoir. Ensuite, retirer le petit poussoir du gros poussoir.

### **Désassemblage du couteau**

- Tourner le bol dans le sens des aiguilles d'une montre pour libérer les pattes de verrouillage. La poignée du bol devrait se trouver du côté gauche. Soulever alors le bol.

## **Il est conseillé de retirer le bol du socle-moteur avant d'enlever le couteau.**

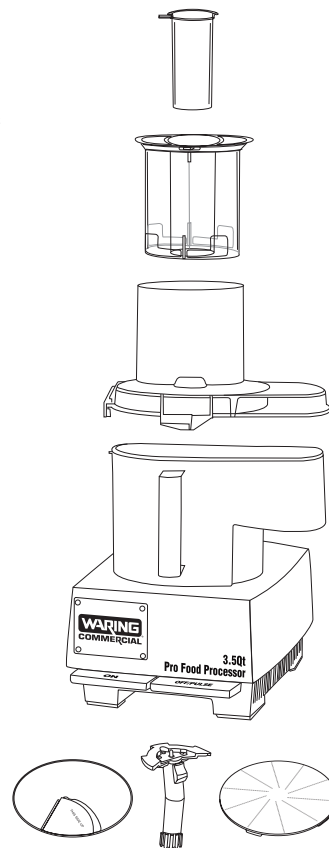
- Appuyer sur la partie plastique du couteau tout en soulevant le bol pour le maintenir en place. Cela évitera que les aliments dégoulinent sur le socle-moteur ou le plan de travail. **IMPORTANT : VIDER LE BOL AVANT DE RETIRER LE COUTEAU.** Pour retirer le couteau du bol, le soulever. Manipuler le couteau avec précaution. Les lames sont très aiguisées.

### **Désassemblage des disques**

- Retirer le disque avant de retirer le bol.
- Prendre le disque par les bords, entre deux doigts et le soulever. Il devrait se dégager sans problème. Pour retirer l'adaptateur, tenir le disque dans une main, en prenant garde de ne pas toucher les lames ou les râpes. Presser le bouton de déverrouillage et tourner dans le sens inverse des aiguilles d'une montre.
- Tourner le bol dans le sens des aiguilles d'une montre pour libérer les pattes de verrouillage. La poignée du bol devrait se trouver du côté gauche. Soulever alors le bol.

# ASSEMBLAGE DU BOL À DÉBIT CONTINU

- Nettoyer et désinfecter le socle. Laver, rincer et désinfecter le bol, le couvercle, l'entonnoir, les poussoirs et les accessoires avant d'utiliser l'appareil pour la première fois.
- Placer l'appareil sur un plan de travail ou une table, à proximité d'une prise de courant, et de façon à faire face aux boutons de commande. Vérifier que l'appareil est débranché et que le bouton de commande OFF est enclenché. Ne pas brancher l'appareil avant d'avoir terminé l'assemblage.
- Tenir le bol entre les deux mains, de façon à ce que la bouche de sortie se trouve à 110°, et la poignée à 160° vers la droite. Placer le bol sur le socle-moteur, en alignant l'arbre moteur avec le trou au centre du bol.
- Enfoncer le bol sur le socle-moteur jusqu'à ce que la base du bol recouvre le plateau du socle-moteur. Tourner dans le sens inverse des aiguilles d'une montre jusqu'à ce qu'il se bloque.
- Glisser le disque éjecteur sur l'arbre du moteur et l'enfoncer jusqu'au fond du bol.
- Choisir le disque voulu. **Installer le disque selon les instructions de la section «Assemblage du bol».**
- Tenir le disque par les bords entre les deux mains. Prendre garde de ne pas toucher les lames ou les râpes pour ne pas vous égratigner ou vous couper.
- Aligner le moyeu du disque choisi avec l'arbre moteur et enfoncer le disque sur ce-dernier. Vous ne devriez pas rencontrer de résistance. En cas de difficulté, tourner le disque légèrement jusqu'à ce qu'il s'emboîte sur l'arbre. Vérifier qu'il est bien enfoncé. Pousser sur les bords du disque uniquement. Ne jamais toucher les lames ou les râpes. **Installer le disque avant de mettre les aliments dans l'entonnoir.**
- Mettre le couvercle sur le bol. Les pattes de verrouillage du couvercle devraient se trouver à gauche de celles du bol. Appuyer sur le couvercle et tourner jusqu'à ce qu'il se bloque. Cela évitera que le couvercle se soulève pendant l'utilisation.
- Les pattes de verrouillage du couvercle se glisseront dans les pattes de blocage du bol et engageront le système de sécurité magnétique. Ce dernier empêche l'appareil de fonctionner quand le couvercle n'est pas bien fermé. Une fois le couvercle en position, mettre l'appareil en marche en utilisant la fonction continue (ON) ou «pulse» (OFF/PULSE).



**NE JAMAIS ESSAYER DE METTRE L'APPAREIL EN MARCHÉ ALORS QUE LE COUVERCLE N'EST PAS BIEN FERMÉ.**

## DÉSASSEMBLAGE DU BOL À DÉBIT CONTINU

TOUJOURS DÉBRANCHER L'APPAREIL AVANT DE LE DÉSASSEMBLER.

- Tourner le couvercle dans le sens des aiguilles d'une montre pour désengager le mécanisme de sécurité et débloquer les pattes.
- Une fois que la bouche de sortie est légèrement à 110° à droite, soulever le couvercle. Remarque : déverrouiller le couvercle avant de le retirer.
- Retirer le gros poussoir de l'entonnoir. Ensuite, retirer le petit poussoir du gros poussoir.

Pour retirer le disque, placer deux doigts en dessous de chaque côté, et le soulever. Prendre garde de ne pas toucher les lames ou les râpes. Ces dernières sont très aiguisées. **Retirer l'adaptateur, comme décrit dans la section «désassemblage des disques».**

- Retirer le bol du socle-moteur. Si la bouche de sortie est à 110° à droite, il suffit de le soulever. Si ce n'est pas le cas, tourner le bol dans le sens des aiguilles d'une montre pour déverrouiller les pattes.



# FONCTIONNEMENT DE L'APPAREIL

- Brancher l'appareil dans une prise électrique de 120V (60 Hz).
- Les boutons de commande se trouvent face à vous. Ils sont faciles à utiliser, et assez gros pour les trouver en cas d'urgence.

Les deux boutons de commande sont :    ON (marche continue)  
    PULSE/OFF (pulse/arrêt)

Fonctionnement:        ON : Appuyer sur ce bouton pour mettre l'appareil en marche continue.  
                                  PULSE/OFF : Appuyer sur ce bouton une fois pour éteindre l'appareil.

Appuyer, puis relâcher le bouton pour utiliser le mode «pulse». Le moteur continuera à tourner aussi longtemps que vous appuierez sur le bouton et s'arrêtera lorsque vous le relâcherez. Essayez-le plusieurs fois.

## Instructions

### Mode continu

Pour utiliser l'appareil en mode continu, appuyer sur le bouton ON.

### Fonction pulse

Utiliser la fonction pulse avec le couteau uniquement.

- Pour utiliser la fonction pulse, appuyer sur le bouton PULSE/OFF. Le moteur continuera à tourner aussi longtemps que vous appuierez sur le bouton et s'arrêtera lorsque vous le relâcherez.
- La fonction pulse vous offre d'avantage de contrôle, puisqu'elle permet de contrôler le nombre et la durée de chaque pulsation avec précision. Laisser le temps aux aliments de redescendre dans le fond du bol entre deux pulsations.
- La fonction pulse vous permet de contrôler la consistance exacte des aliments que vous hachez ou mixez. La texture, grosse ou fine, dépend du nombre et de la durée des pulsations.
- La fonction «pulse» est aussi pratique pour broyer les aliments durs. Appuyer plusieurs fois sur le bouton PULSE/OFF pour broyer les aliments, puis utiliser le mode continu pour terminer de les mouder.
- Toujours utiliser le bouton PULSE/OFF pour contrôler les pulsations. Ne jamais essayer de les contrôler en bougeant le bol ou le couvercle. Cela pourrait endommager l'appareil.

### Arrêt de l'appareil :

Toujours éteindre l'appareil en appuyant sur le bouton PULSE/OFF et attendre que le couteau ou le disque soit complètement immobile avant de retirer le couvercle. Cela prendra seulement quelques secondes.

# PRÉPARATION DES ALIMENTS

- Laver et peler les aliments si nécessaire. Enlever les queues, les pépins et les noyaux.
- Couper les fruits, les légumes, le fromage ou la viande de façon à ce que les morceaux entrent dans l'entonnoir, ou à la taille désirée.
- Aliments à couper en rondelles ou en tranches : Couper les deux bouts des aliments tels que les carottes, les concombres, le céleri, etc. Vous obtiendrez ainsi de plus belles rondelles.

## CHOIX DU POUSSOIR

### **Remarque - Lorsque vous utilisez le couteau :**

Il est possible d'introduire des aliments dans l'entonnoir alors que l'appareil est en marche. Toutefois, il est recommandé de laisser le gros poussoir en place pour éviter les éclaboussures.

### **Petit poussoir**

Le petit poussoir sert généralement à pousser les aliments introduits à la verticale dans la goulotte au centre du gros poussoir. Il s'utilise typiquement pour couper les carottes, le céleri ou les saucisses en rondelles uniformes.

Il sert aussi à râper en petits morceaux et couper des petites rondelles.

### **Gros poussoir**

Le gros poussoir sert à pousser les aliments introduits à l'horizontale dans l'entonnoir.

Il s'utilise typiquement pour obtenir des morceaux ou des rondelles plus longues et pousser les gros aliments comme des pommes de terre ou des oignons entiers.

## DISPOSITIF DE PROTECTION DU MOTEUR

Cet appareil est équipé d'un dispositif de protection thermique qui arrête le moteur automatiquement en cas de surchauffe.

Si cela se produisait, arrêter et débrancher l'appareil. Vider le bol et jeter le contenu. Laisser le moteur refroidir pendant 5 minutes.

Rebrancher l'appareil. Continuer.

Si l'appareil ne fonctionne pas comme il se doit, cesser l'utilisation et contacter un service après-vente autorisé.

# CAPACITÉS MAXIMALES

Ne pas excéder les quantités maximales indiquées ci-dessous :

ALIMENTS	CAPACITÉ
Fruits et légumes hachés ou réduits en purée	475 g
Viande, volaille, poisson ou crustacés hachés	1 kg
Fruits, légumes ou fromage coupés en tranche	1,5 kg

## UTILISATION DU COUTEAU

1. Couper les aliments en morceaux de 2,5 cm.
  2. Installer la lame avant de remplir le bol. Fermer le couvercle et vérifier que les poussoirs sont en place. Presser puis relâcher le bouton PULSE/OFF deux ou trois fois de suite. Laisser le temps aux aliments de redescendre entre deux pulsations.
  3. La fonction «pulse» permet de ne pas trop hacher les aliments. Vérifier la texture des aliments fréquemment au travers du couvercle. Utiliser la fonction «pulse» jusqu'à obtention de la consistance voulue. Certains aliments, comme les oignons, ont tendance à se réduire en purée rapidement. Vérifier leur consistance après chaque pulsation.
- Pour obtenir des résultats uniformes, il est préférable que les morceaux soient sensiblement de la même taille.
- Toujours respecter les quantités maximales.
- Lorsque vous mixez des liquides, ne pas dépasser la ligne «Max».

## COMMENT VIDER LE BOL

1. Éteindre l'appareil et attendre que la lame soit complètement immobile avant d'ouvrir le couvercle.
2. Retirer le bol du socle-moteur. S'il est bloqué, le tenir par la poignée et le bouger rapidement de droite à gauche.
3. Si vous utilisez un disque, le retirer avant de vider le bol. Si vous utilisez le couteau, il restera en place lorsque vous viderez le bol. Vider le bol à l'aide d'une spatule. **NE PAS INTRODUIRE LES DOIGTS DANS LE BOL SI LE COUTEAU Y EST.**

## UTILISATIONS SPÉCIALES DU COUTEAU

Pour hacher des ingrédients durs, comme l'ail, mettre d'abord l'appareil en marche (ON), puis introduire les aliments par la goulotte au centre du gros poussoir. Les petits aliments comme l'ail peuvent être introduits entiers. Cette méthode est parfaite pour hacher l'ail, les échalotes et les oignons. Pour hacher la viande ou réduire le fromage en poudre, utiliser des morceaux de 2,5 cm. Appuyer sur le bouton PULSE/OFF trois fois de suite pendant 1–2 secondes. Utiliser ensuite le mode continu (ON) pendant 30 secondes maximum.

Ne pas essayer de réduire en poudre du fromage qui est trop dur pour être coupé au couteau. Cela pourrait endommager le couteau ou l'appareil.

## UTILISATION DU DISQUE À TRANCHER

### Fruits et légumes ronds (oignons, pommes, etc.)

Préparation : Couper un côté pour que le fruit/légume repose à plat sur le disque. Introduire le fruit/légume dans l'entonnoir, le côté coupé d'abord. Placer le fruit/légume le plus possible vers la gauche pour qu'il reste bien en place. Choisir des fruits mûrs, mais fermes. Toujours retirer les queues, pépins et noyaux. Il n'est pas nécessaire de retirer les pépins des agrumes. Il n'est pas nécessaire non plus de les peler.

### Poivrons :

Retirer la queue et couper plat. Vider l'intérieur. Ne pas couper l'autre côté. Les rondelles seront plus rondes et homogènes.

### Gros fruits (ananas, melon, etc.)

Couper les fruits en deux et retirer le coeur ou les pépins. Si nécessaire, les couper en quartiers. Couper le bas et le haut.

### Chou et laitue

Couper le dessus et le dessous, puis couper en deux, dans le sens de la hauteur. Retirer le coeur et couper en plus petits morceaux si nécessaire, toujours dans le sens de la hauteur.

### Si le fruit/légume ne rentre pas dans l'entonnoir:

essayer de l'introduire par le bas, ce-dernier étant légèrement plus large que le haut.

### Orienter les aliments selon le résultat voulu :

horizontalement pour obtenir des rondelles allongées ou verticalement pour obtenir des petites rondelles. Ne pas surcharger l'entonnoir. Toujours utiliser le poussoir pour couper en rondelles. Ne jamais introduire les doigts ni aucun autre objet dans l'entonnoir.

Ne pas forcer le poussoir. Pousser le fromage et les fruits/légumes tendres (bananes, champignons, fraises, tomates) doucement. Pousser les fruits/légumes fermes (pommes, céleri, agrumes, pommes de terre) normalement. Pousser les légumes durs (carottes) vigoureusement.

## **Petits fruits et légumes ronds (fraises, radis, champignons, etc.)**

Couper les deux côtés du fruit/légume pour qu'il soit plat de chaque côté. Introduire le fruit/légume dans l'entonnoir, un côté coupé vers le bas. L'entonnoir peut être rempli jusqu'à 2,5 cm du haut. Les rondelles du bas sont parfaites pour servir de garniture. Si vous souhaitez que toutes les rondelles aient exactement la même épaisseur, couper une couche à la fois.

## **Fruits et légumes longs (bananes, céleri, courgettes)**

Couper les fruits/légumes en morceaux si nécessaire. Couper les deux côtés du fruit/légume pour qu'il soit plat de chaque côté. Mesurer les morceaux à l'aide d'une règle ou du poussoir avant de les introduire dans l'entonnoir. Placer les morceaux verticalement dans l'entonnoir, de façon à ce qu'ils ne bougent pas.

## **Petites quantités :**

Introduire les aliments dans la goulotte au centre du gros poussoir et utiliser le petit poussoir pour les pousser. Retirer le petit poussoir du gros poussoir. Introduire le gros poussoir dans l'entonnoir et le bloquer. Couper les aliments en petits morceaux. Si les aliments sont longs et fins, les placer le plus possible vers la gauche. Si les aliments sont plus gros d'un côté que de l'autre, comme par exemple les carottes, le céleri ou les oignons verts, les couper en deux et les grouper par paire, de façon à ce que chaque côté ait approximativement le même diamètre.

## **Haricots verts à la française**

Couper les bouts des haricots de façon à ce qu'ils rentrent horizontalement dans l'entonnoir. Les blanchir dans l'eau bouillante salée pendant 60 secondes, puis les plonger immédiatement dans l'eau froide pour arrêter la cuisson. Une fois refroidis, les égoutter et les sécher. Remplir l'entonnoir jusqu'à 2,5 cm du haut, en y plaçant les haricots horizontalement. Utiliser le disque à trancher. Vérifier que le petit poussoir est verrouillé. Utiliser le mode PULSE/OFF pour couper les haricots en lamelles. Employer la même méthode pour couper les courgettes et les carottes crues en rondelles.

## **Légumes ou fruits paille/Julienne**

La coupe Julienne consiste à couper les fruits/légumes deux fois pour obtenir des bâtonnets. Introduire les fruits/légumes (pommes de terre, navets, courgettes, pommes) horizontalement dans l'entonnoir. Utiliser le mode PULSE/OFF pour les couper en rondelles. Vous obtiendrez ainsi des rondelles longues. Retirer les rondelles du bol. Les placer verticalement dans l'entonnoir, en les serrant bien. Les couper une fois encore. Vous obtiendrez ainsi de longs bâtonnets.

# **VIANDE ET VOLAILLE**

## **Viande/volaille cuite**

La viande doit être bien froide. Couper la viande en morceaux si nécessaire. Pour préparer une Julienne de jambon ou de Bologne, enrouler plusieurs tranches ensemble pour former des rouleaux. Introduire autant de rouleaux que possible verticalement dans l'entonnoir. Pour obtenir de meilleurs résultats, utiliser des tranches carrées ou rectangulaires.

## **Viande/volaille crue**

Couper la viande en morceaux si nécessaire. Il sera nécessaire de couper les blancs de poulet en deux. Utiliser du poulet désossé et sans peau. Envelopper la viande dans du papier cellophane et la congeler partiellement. La viande est prête lorsqu'elle est dure au toucher, mais peut facilement être percée par la pointe d'un couteau. Placer les morceaux verticalement ou horizontalement dans l'entonnoir, selon la coupe désirée.

## **Saucisse, salami, etc.**

Si les saucisses sont molles, les envelopper dans du papier cellophane et les congeler jusqu'à ce qu'elles soient dures au toucher, mais que la pointe d'un couteau puisse les percer facilement. Il n'est pas nécessaire de congeler les saucisses dures. Introduire les saucisses une par une dans la goulotte au centre du gros entonnoir. Si les saucisses sont trop grosses, les couper en morceaux et utiliser le gros entonnoir. Remplir l'entonnoir de façon à ce que les morceaux ne bougent pas pendant la coupe.

## **FROMAGE**

### **Fromages durs comme le Gruyère et le Cheddar.**

Couper le fromage en morceaux si nécessaire. Le congeler jusqu'à ce qu'il soit dur au toucher, mais que la pointe d'un couteau puisse le percer facilement. Placer les morceaux verticalement dans l'entonnoir.

**IMPORTANT** : Ne pas essayer de couper en tranches du fromage mou. Trancher seulement du fromage dur, comme le Parmesan. Les morceaux ne devraient pas mesurer plus de 9 x 2 x 10 cm. Toujours utiliser du fromage bien froid. Il est conseillé de réfrigérer le fromage pendant 1 heure ou plus avant de le trancher. Ne pas essayer de trancher de la Mozzarella. Cela pourrait endommager l'appareil.

## **UTILISATION DU DISQUE À RÂPER**

Laver et peler les aliments si nécessaire. Enlever les queues, les pépins et les noyaux. Couper les aliments en morceaux si nécessaire.

Placer les aliments dans l'entonnoir désiré, horizontalement pour obtenir des longs bouts ou verticalement pour obtenir des petits bouts.

Ne pas essayer de râper du fromage mou. Râper seulement du fromage dur, comme le Parmesan. Les morceaux ne devraient pas mesurer plus de 9 x 2 x 10 cm. Toujours utiliser du fromage bien froid. Il est conseillé de réfrigérer le fromage pendant 1 heure ou plus avant de le râper. Ne pas essayer de râper de la Mozzarella. Cela pourrait endommager l'appareil.

Pour éviter que le moteur ne surchauffe, il est conseillé d'appuyer puis de relâcher le poussoir tour à tour jusqu'à ce que le fromage soit complètement râpé. Éviter de faire pression continuellement sur le fromage. Cela pourrait faire surchauffer le moteur.

Le robot de cuisine est capable de râper jusqu'à 4,5 kg de fromage en approximativement 5 minutes. Il est conseillé de laisser reposer l'appareil pendant 5 minutes après 5 minutes d'opération continue.

Vider le bol avant que la capacité maximale ne soit atteinte.

## UTILISATION DU DISQUE À ÉMINCER

- Laver et peler les aliments si nécessaire. Enlever les queues, les pépins et les noyaux. Couper les aliments en morceaux si nécessaire.
- Placer les aliments dans l'entonnoir désiré, horizontalement pour obtenir des longs bouts ou verticalement pour obtenir des petits bouts.
- Ne pas essayer d'émincer du fromage mou. Utiliser du fromage dur uniquement. Congeler la Mozzarella avant de l'émincer. Ne pas utiliser de morceaux de plus de 2 x 9 x 10 cm avec le modèle WFOP11S ou 2,5 x 9 x 10 cm avec le modèle WFP14S. Congeler la Mozzarella pendant 1 heure avant de l'émincer. Toujours utiliser le mode «PULSE» pour émincer le fromage.
- Vider le bol avant que la capacité maximale ne soit atteinte.

# RÉSOLUTION DE PROBLÈMES

Vous trouverez dans cette section la solution aux problèmes les plus courants. Si cette liste ne solutionne pas votre problème, veuillez contacter votre revendeur local. Consulter la liste des service après-vente autorisés, fournie avec votre appareil.

## **L'appareil ne se met pas en marche**

- Débrancher l'appareil et le brancher dans une autre prise de courant.
- Appuyer sur le bouton ON .
- Vérifier que le bol est bien en place, que le couvercle est bien fermé et que les pattes de verrouillage du couvercle sont bien engagées.

## **L'appareil s'arrête pendant l'utilisation**

- Il se peut que le moteur ait surchauffé. Voir la section «Dispositif de protection du moteur».
- Éteindre et débrancher l'appareil.
- Retirer le bol du socle.
- Vider le bol.
- Laisser l'appareil refroidir pendant 5 minutes.
- Remettre le bol sur le socle-moteur, refermer le couvercle et faire fonctionner l'appareil à vide pendant quelques secondes avant de remplir le bol.

## **L'appareil n'atteint pas la vitesse maximale**

- Le bol est trop chargé. Le vider et recommencer avec un moindre contenu.

## **Si l'appareil ne fonctionne toujours pas correctement :**

- Vérifier que la prise de courant est sous tension.
- Vérifier que le disjoncteur est enclenché.
- Vérifier que le fusible n'est pas grillé.
- Appeler votre revendeur local.

## **L'appareil fume ou fait des étincelles**

- Éteindre l'appareil, le débrancher, puis contacter votre revendeur local.

## **L'appareil grince**

- Éteindre l'appareil, le débrancher, puis vérifier si le couteau touche le bol.
- Si le couteau touche le bol, contacter votre revendeur local.



# NETTOYAGE

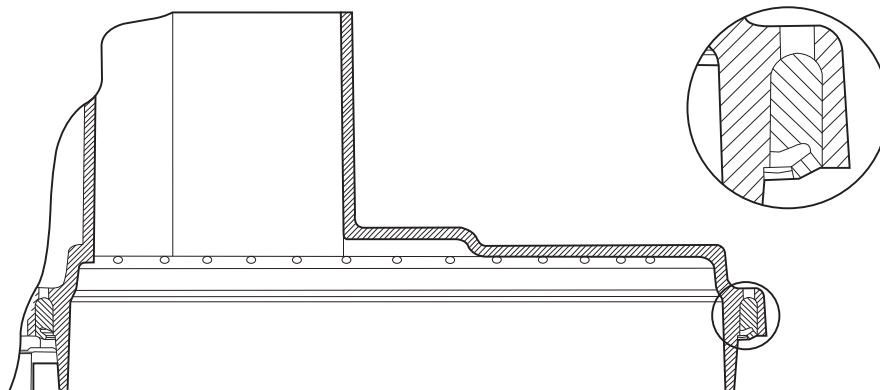
Nettoyer l'appareil et ses accessoires avant de l'utiliser pour la première fois et après chaque utilisation. Ne pas utiliser de nettoyants abrasifs. Nettoyer l'arbre moteur avec une petite brosse.

Laver, rincer, désinfecter et sécher le bol, le bol à débit continu, les couvercles, le disque éjecteur, les entonnoirs, les poussoirs, le couteau et les disques avant d'utiliser l'appareil pour la première fois et après chaque utilisation, à moins que vous ne réutilisez l'appareil immédiatement. Tous les éléments sont lavables au lave-vaisselle.

Bien laver et rincer tous les éléments après chaque utilisation.

Le joint d'étanchéité du couvercle est amovible et devrait être nettoyé régulièrement. Il y a trois petits trous sur le rebord du couvercle. Pour retirer le joint, il suffit d'y introduire un objet fin comme un cure-dents ou un trombone et de pousser le joint hors de la rainure. **NE PAS UTILISER D'OBJET COUPANT. CELA POURRAIT ENDOMMAGER LE JOINT.** Laver le joint avec de l'eau tiède et du détergent, le rincer et le sécher. Une fois sec, insérer le côté arrondi du joint dans la rainure, en poussant tout autour du bout des doigts. Vérifier que le joint est correctement inséré. Voir le dessin ci-dessous.

Remarque : Le rabat du joint doit pointer vers le bas et l'intérieur.



Nettoyer le couteau et les disques à l'aide d'une brosse dure avant de les laver. Le couteau et les disques sont très aiguisés. Les manipuler avec précaution.

Pour le lavage à la main, nous recommandons l'utilisation d'une solution de nettoyage à base de détergents non moussants et d'une solution désinfectante à base de chlore, avec une concentration minimum de 100 ppm. Vous pouvez utiliser les solutions suivantes ou leur équivalent :

SOLUTION	PRODUIT	PROPORTION DE DILUTION	TEMPÉRATURE
<b>Nettoyage</b>	*Ajax® en poudre	2 c. à soupe pour 9,5 litres d'eau	Chaude 46°C (115°F)
<b>Rinçage</b>		Eau claire	Tiède 35°C (95°F)
<b>Désinfection</b>	**Eau de javel Clorox®	1 c. à soupe pour 4 litres d'eau	Froide 10°C (50°F)

\*Ajax® est une marque déposée de Colgate-Palmolive Company.

\*\*Clorox® est une marque déposée de Clorox Company.

## **Nettoyage du socle-moteur**

Nettoyer et désinfecter le socle-moteur avant d'utiliser l'appareil pour la première fois et après chaque utilisation. Débrancher l'appareil et essuyer le socle avec une éponge imbibée de détergent liquide. Essuyer ensuite le socle avec une éponge imbibée d'eau claire. Bien essorer l'éponge afin que le liquide ne pénètre pas dans le boîtier.

## **NE JAMAIS SUBMERGER LE SOCLE-MOTEUR DANS L'EAU OU TOUT AUTRE LIQUIDE.**

Laisser sécher l'appareil à l'air libre avant de l'utiliser à nouveau.

Ne jamais utiliser de détergents abrasifs pour nettoyer cet appareil ou ses éléments.

# **GARANTIE LIMITÉE**

## **GARANTIE LIMITÉE DE CINQ ANS (MOTEUR)**

## **GARANTIE LIMITÉE DE DEUX ANS (PIÈCES ET MAIN D'OEUVRE)**

Waring Commercial garantit le moteur de cet appareil contre tout vice de matière ou de fabrication pendant une période de cinq ans suivant sa date d'achat, à condition que l'appareil ait été utilisé uniquement avec des produits alimentaires, des liquides non-abrasifs (autres que des détergents) et des semi-liquides non-abrasifs, à condition que l'appareil n'ait pas été soumis à des charges excédant sa capacité maximale. Les autres pièces sont garanties pendant une période de deux ans suivant la date d'achat.

Au titre de cette garantie, la division Waring Commercial réparera ou remplacera toute pièce nous paraissant afficher un vice de matière ou de fabrication. Pour un service au titre de cette garantie, envoyez l'appareil, port payé, à l'adresse suivante ou amenez-le à un centre de réparation agréé : Waring Service Center, 314 Ella T. Grasso Ave., Torrington, CT 06790.

Cette garantie a) n'est pas valable si l'appareil est endommagé, cassé, détérioré ou s'il affiche un vice ou défaut résultant de l'utilisation, de l'entretien ou de la réparation par des personnes non autorisées, ou consécutif à l'usage abusif ou inapproprié, à la surcharge ou à la modification de l'appareil. b) ne couvre aucun dommage accessoire ou indirect.

Cette garantie n'est valable que sur les appareils utilisés aux États-Unis et au Canada et abroge toute autre garantie formelle ou tout autre accord de garantie. La garantie des produits Waring vendus en dehors des États-Unis et du Canada est à la charge de l'importateur ou du distributeur local. Les droits de garantie peuvent varier d'un pays ou d'une région à l'autre.

Brancher cet appareil sur Courant Continu (C.C.) annulera la garantie.





©2010 Waring  
Waring Commercial  
314 Ella T. Grasso Avenue  
Torrington, CT 06790

Waring® Commercial is a registered trademark of Conair Corporation.  
Any other trademarks or service marks used herein are  
the trademarks or service marks of their respective owners.

Waring® Commercial est une marque déposée de Conair Corporation. Toutes  
marques déposées ou marques de commerce ci-incluses  
appartiennent à leurs propriétaires respectifs.

Waring® Commercial es una marca registrada de Conair Corporation. Todas  
marcas registradas o marcas de comercio mencionadas en ésta pertenecen a  
sus titulares respectivos.

[www.waringproducts.com](http://www.waringproducts.com)

Printed in China  
Imprimé en Chine  
Stampato in Cina



Intertek

10WC116296

IB-10281