



MX1100TXP

Hi-Power Electronic Keypad Blender with Timer and 48 oz. BPA-Free Copolyester Container



*Made in USA with US and foreign parts.

ELECTRICAL

Voltage: 120V

Frequency: 60Hz

Watts: 1560W

Amps: 12.5A

Plug Type: NEMA 5-15P 

Cord Length: 6 feet



MAIN FEATURES

- Heavy-duty, high-performance 3 1/2 peak HP motor with 2 speed selections is the strongest in its class. It powers through the toughest ice and frozen fruit mixtures in seconds.
- Super-high, 30,000+ RPM motor speed for the smoothest consistencies.
- Easy-to-clean electronic keypad with HIGH, LOW, STOP, ON/OFF, and PULSE controls and 30-second countdown timer.
- The Raptor® 48 oz. stackable, BPA-free copolyester container.
 - Ultra-aggressive blade and jar design delivers smoother consistencies and faster results.
 - Unbreakable, dishwasher-safe construction.
- High-performance, high-impact stainless steel blade is user replaceable for easy servicing.
- User-replaceable, metal-on-metal, stainless steel coupling system for durability and reliability.
- Easily removable container cover with removable clear cap lets you add ingredients and reduce pressure during hot food blending.
- Optional sound enclosure easily retrofits to base for noise reduction.
- Recommended for 75+ cycles per day.
- Limited Three-Year Motor and Two-Year Parts & Labor Warranty.

SALES FEATURES

Get smooth, consistent results every time with the Waring® MX1100TXP. This heavy-duty 3 1/2 peak HP blender teams up with The Raptor® jar and blade assembly for maximum power and efficiency. It's ferocious enough for everything from smoothies and frozen drinks to thick spreads, desserts, dressings and all types of food preparation. Features an easy-to-clean electronic membrane keypad with HIGH, LOW, STOP and PULSE functions, and a 30-second electronic countdown timer. Blend 75+ cycles per day. Perfect for a busy bar, health facility, school or coffee shop.

Hi-Power Electronic Keypad Blender with Timer and 48 oz. BPA-Free Copolyester Container **MX1100TXP**



@waringcommercial

©2022 Waring Commercial
314 Ella T. Grasso Avenue, Torrington, CT 06790
Tel. 800-492-7464 • Fax 860-496-9008

waringcommercialproducts.com

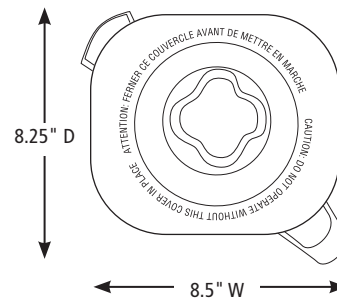
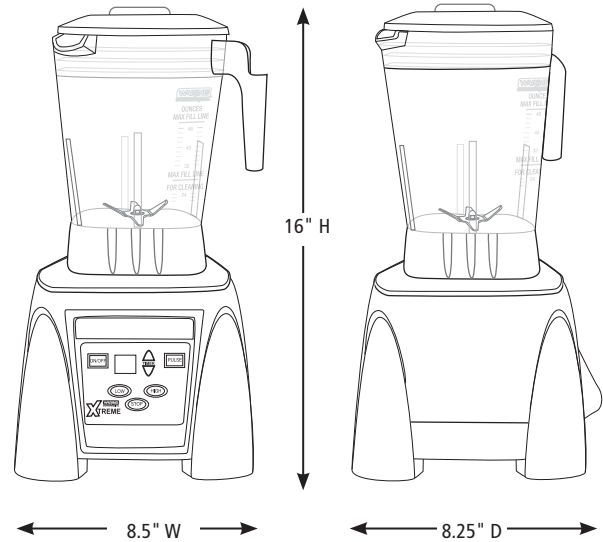


Hi-Power Electronic Keypad Blender with Timer and 48 oz. BPA-Free Copolyester Container MX1100XTP

PARTS & ACCESSORIES

- | | | | |
|---|--|---|--|
|  | CAC90
64 oz. Stainless Steel Container |  | CAC95-12
64 oz. Green Copolyester Container |
|  | CAC93X
48 oz. Copolyester Container |  | CAC95-28
64 oz. Orange Copolyester Container |
|  | CAC93X-03
48 oz. Yellow Copolyester Container |  | CAC116
Blending Assembly Kit and Retainer Ring Kit |
|  | CAC93X-06
48 oz. Blue Copolyester Container |  | CAC119
Retainer Ring Wrench |
|  | CAC93X-10
48 oz. Purple Copolyester Container |  | CAC158
Blending Assembly Kit |
|  | CAC93X-12
48 oz. Green Copolyester Container |  | CAC159
Retainer Ring Kit |
|  | CAC93X-28
48 oz. Orange Copolyester Container |  | CAC160
Drive Coupling |
|  | CAC95
The Raptor® – Aggressive, All-Purpose, Stackable, 64 oz., BPA-Free Copolyester Container |  | CAC161
Drive Coupling Removal Tool |
|  | CAC95-03
64 oz. Yellow Copolyester Container |  | CAC169
Spatula – Custom designed for use with MX Series Blenders |
|  | CAC95-06
64 oz. Blue Copolyester Container |  | SE1000
Large Sound Enclosure |
|  | CAC95-10
64 oz. Purple Copolyester Container |  | SE500
Small Sound Enclosure |

DIMENSIONS



Out-of-Box Weight: 14.36 lb.

ORDERING INFORMATION	#STD. PKG.	GIFTBOX WEIGHT	CUBIC FEET	BOX DIMENSIONS D X W X H	UPC	CASE PKG.	MC WEIGHT	MC DIMENSIONS D X W X H	MBC
MX1100XTP– Hi-Power Electronic Keypad Blender with Timer and 48 oz. BPA-Free Copolyester Container	1	16 lb.	1.056	10.375" x 10.625" x 15.625"	040072031335	1	16 lb.	11.375" x 11.25" x 16.00"	10040072031332



@waringcommercial

©2022 Waring Commercial
314 Ella T. Grasso Avenue, Torrington, CT 06790
Tel. 800-492-7464 • Fax 860-496-9008

waringcommercialproducts.com

22WC084403 / REV 07/22