

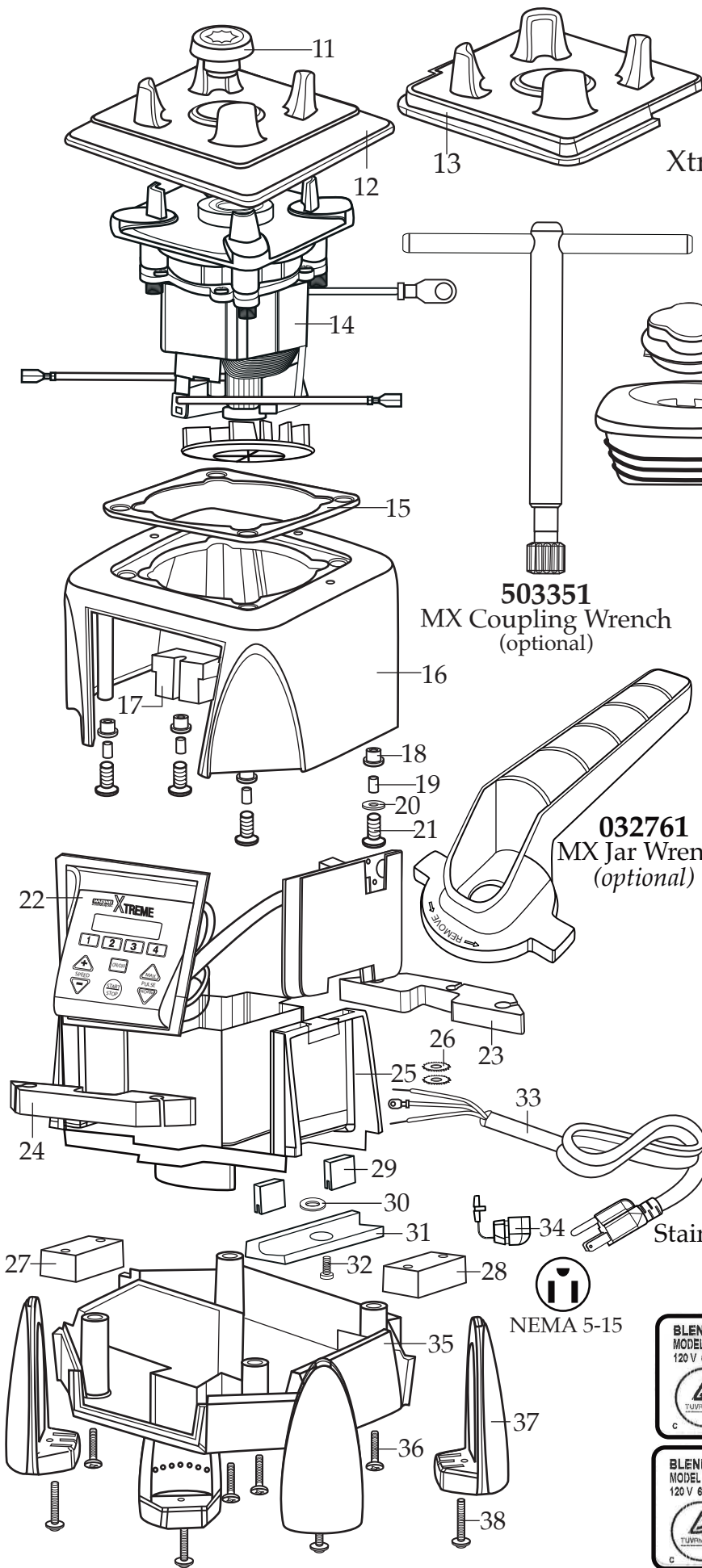
# WARING COMMERCIAL

Xtreme Blenders with 4 Reprogrammable Beverage Stations and a 64 oz. Stainless Steel Container

## MX1300XTS MX1500XTS with Sound Enclosure

### Unit Information

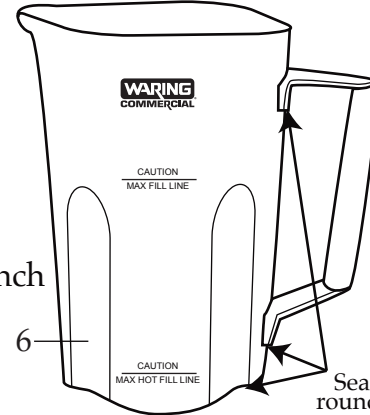
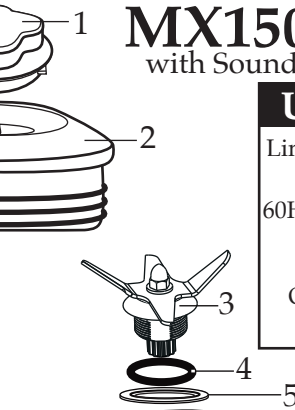
Limited 3 Year Motor Warranty  
Two Year Parts & Labor  
60Hz - 13 Amps - 3.5 HP Motor  
RPM's Maximum 30,000  
Minimum 5,000  
One Piece Dishwasher Safe  
Removable Jar Pad



**503351**  
MX Coupling Wrench  
(optional)

**032761**  
MX Jar Wrench  
(optional)

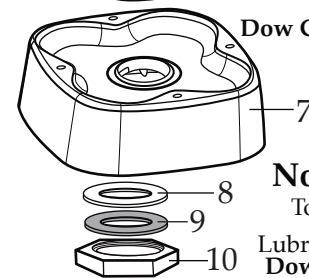
NEMA 5-15



**013304**  
NSF Seal

Sealant applied all round these indicated areas.

Dow Corning Sealant RTV 733



### Notes for 503346 :

Torque 100-125 in/lbs  
Lubricant applied to O Ring  
Dow Corning 200 (R) Fluid

### 503346

Stainless Steel Container with Blending Assembly  
(changed after 4/19/2010)



Date Code Location  
YY|MM|DD  
year|year|month|month|day|day



<b>Catalog</b>	<b>Model</b>
MX1300XTS	MX1300XT31
MX1500XTS	MX1500XT32

**WARING**  
**COMMERCIAL**  
314 Ella T. Grasso Ave.  
Torrington, CT 06790  
Tele. 1-800-269-6640  
Fax 860-496-9017  
www.waringcommercialproducts.com

<b>Illustration#</b>	<b>Part#</b>	<b>Description</b>
1	026425-E	Jar Lid Cover <i>(changed after 6/9/2010)</i>
2	026424-V	Jar Lid <i>(changed after 12/13/2012)</i>
3	503566	Blade Assembly <i>(on units after 2/1/2019)</i>
	503345	Blade Assembly <i>(changed after 4/19/2010)</i>
4	024271	O Ring
5	026798	Support Washer
6	026648	64 oz. Stainless Steel Container
7	026649	Container Support
8	026797	Bearing Holder Gasket
9	026796	Bearing Holder Washer
10	026795	Stainless Steel Jar Bearing Holder Nut
11	503601	Sq. Drive Coupling with Adapter <i>(on units after 3/29/2022)</i>
	503604	Sq. Drive Coupling with Adapter 2 Gen. <i>(changed after 5/7/2021)</i>
	028538	Drive Coupling
12	026442	Jar Pad
13	026443	Sound Enclosure Jar Pad
14	035397	Leili Motor with Sensor <i>(on units after 7/28/2017)</i>
	028101	ECM Motor
15	038278	Dampening Plate Gasket <i>(on units after 8/25/2022)</i>
	026437	Dampening Plate Gasket
16	028032-09	Black Top Housing
17	028541	Motor Foam (2 required)
18	026439	Dampening Plate Bushing (2 required)
19	038486	Dampening Plate Sleeve (4 required <i>on units after 8/25/2022</i> )
	026453	Dampening Plate Sleeve (4 required)
20	026459	Washer
21	028929	Sems (4 required <i>on units after 11/19/2007</i> )
	026455	Screw (4 required)
	026459	Washer (4 required)
22	036922	Control Panel with Interlock <i>(changed after 7/16/2019)</i> comes with key board-main board
	035610	Control Panel <i>(on units after 7/28/2017 use 036922)</i>
	029812	Soft Start Control Panel <i>(changed after 2/14/2012)</i>
23	028248	Top Housing Foam Rear Baffle
24	028249	Top Housing Foam Front Baffle
25	036814	Motor Housing 2.78" <i>(on units after 7/18/2019)</i>
	028240-67	Motor Housing <i>(on units after 7/28/2017)</i>
	028240	Motor Housing
26	002943	Washer (2 required)
27	028247	Bottom Housing Foam Baffle
28	028542	Foam Baffle
29	034900	PCB Cushion (2 required <i>on units after 7/18/2019</i> )
30	037232	Neoprene Washer <i>(on units after 7/18/2019)</i>

**Catalog**      **Model**  
 MX1300XTS    MX1300XT31  
 MX1500XTS    MX1500XT32

**WARING**  
**COMMERCIAL**

314 Ella T. Grasso Ave.  
 Torrington, CT 06790  
 Tele. 1-800-269-6640  
 Fax 860-496-9017  
 www.waringcommercialproducts.com

Illustration#	Part#	Description
31	037007	PCB Mounting Bracket <i>(on units after 7/18/2019)</i>
32	013768	Screw <i>(on units after 7/18/2019)</i>
33	026925	Cord Set
34	007556	Strain Relief
35	028241-09-X	Bottom Housing /black
36	012505	Screw (4 required)
37	026430	Corner Post (4 required)
38	028928	Sems (4 required <i>on units after 11/19/2007</i> )
	026459	Washer (4 required)
	012505	Screw (4 required)

