

**WARING**  
**COMMERCIAL**  
 TORRINGTON, CT 06790  
 TOASTING GRILL  
 MODEL / MODÈLE : WFG150T  
 120V AC 60Hz 1800W  
 MADE IN CHINA / FABRIQUÉ EN CHINE  
 FOR COMMERCIAL USE ONLY  
 APPROUVE POUR USAGE COMMERCIAL

Date Code Location  
 YY MM|DD  
 year year month month|day day

**WARING**  
**COMMERCIAL**

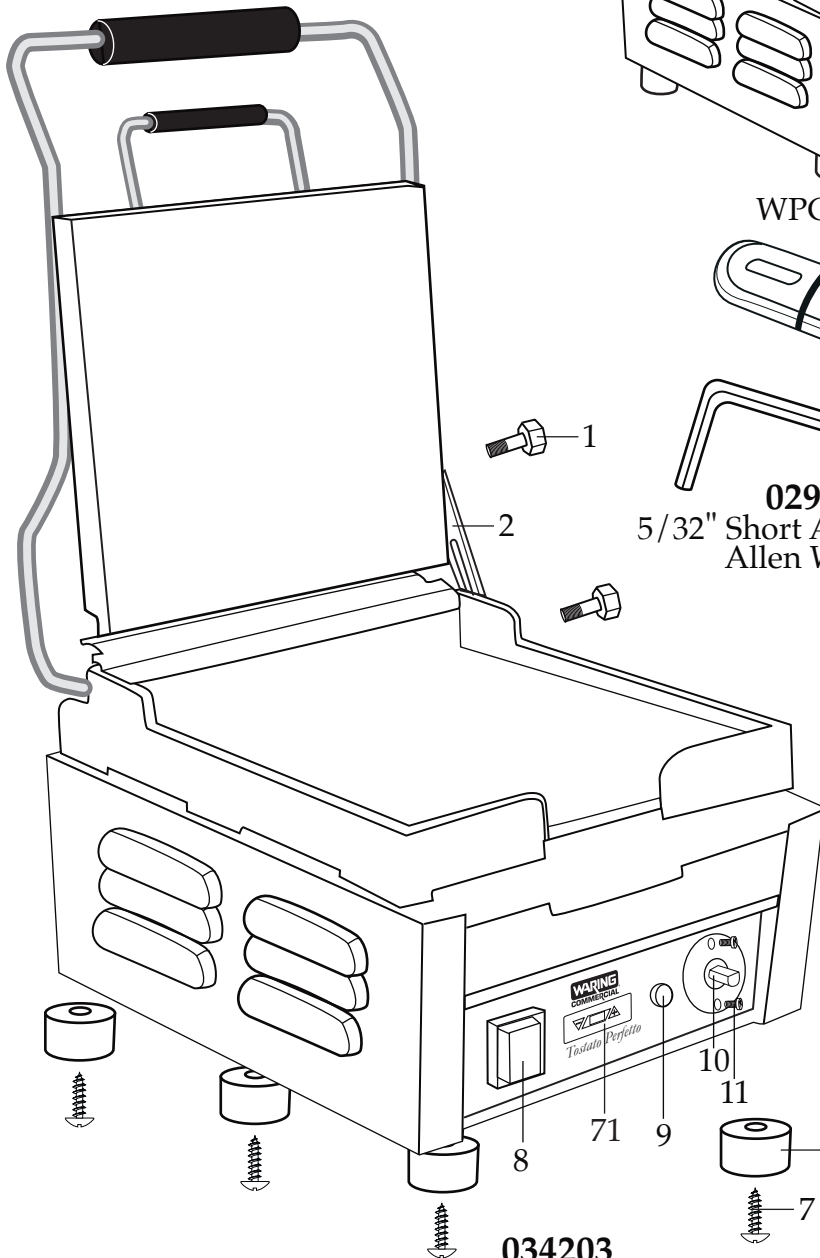
Tostato Perfetto® / Panini Perfetto®  
 Compact Italian-Style Panini Grills

with Timer  
**WFG150T**  
 Flat  
**WPG150T**  
 Ribbed



**034204**

WPG150T Base Unit Assembly



1

2

3

**029824**  
 5/32" Short Arm Hex Key  
 Allen Wrench

**032000**  
 Cleaning Brush

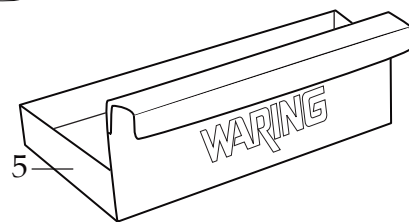
**Unit Information**

WFG150T, WPG150T 1800 Watts - 120 volt  
 Timer requires 2 AAA batteries  
 Grill takes about 10 minutes to warm up.  
 9.75" x 9.25" Cooking Surface  
 Flat or Ribbed Cast Iron Plates

3  
 4

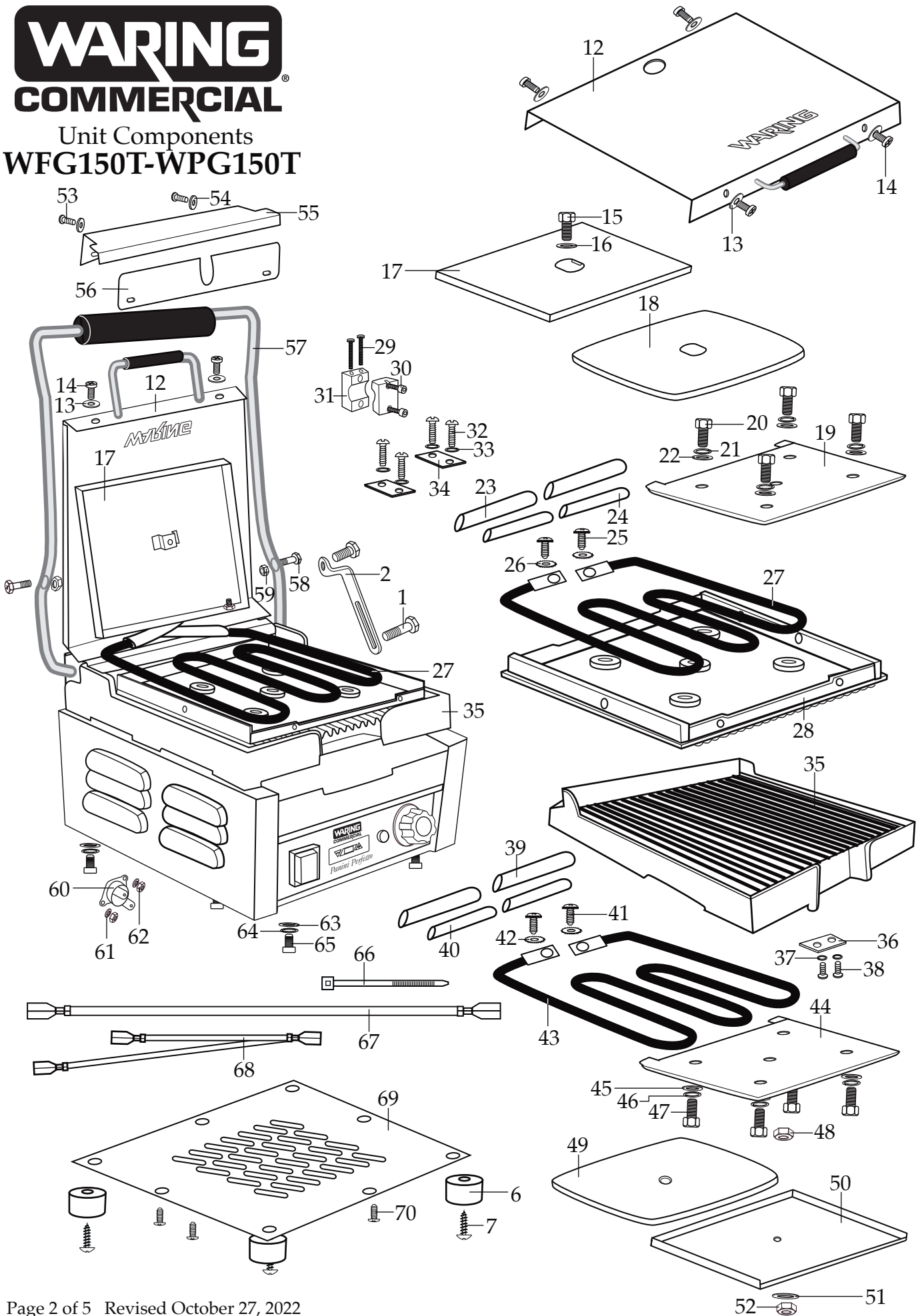
**034203**

WFG150T Base Unit Assembly



# WARING COMMERCIAL

## Unit Components WFG150T-WPG150T



## Catalog/Model

WFG150T

WPG150T

**WARING**  
**COMMERCIAL**

314 Ella T. Grasso Ave.

Torrington, CT 06790

Tele. 1-800-269-6640

Fax 860-496-9017

[www.waringcommercialproducts.com](http://www.waringcommercialproducts.com)

| Illustration# | Part#  | Description  |
|---------------|--------|--|
| 1             | 028625 | Pivot Bracket Screw Set (1 small and 1 large)                |
| 2             | 028624 | Pivot Bracket  |
| 3             | 028627 | Set Screw (2 required)                                       |
| 4             | 028626 | Control Knob   |
| 5             | 029502 | Drip Tray  |
| 6             | 028622 | Foot (4 required)  |
| 7             | 028623 | Foot Screw (4 required)                                      |
| 8             | 029477 | On-Off Switch  |
| 9             | 029941 | Indicator Light  |
| 10            | 029942 | Thermostat   |
| 11            | 029943 | Thermostat Screw (2 required)                                |
| 12            | 029944 | Cover  |
| 13            | 029946 | Washer (4 required)  |
| 14            | 029947 | Screw (4 required)   |
| 15            | 029950 | Hex Head Bolt  |
| 16            | 029951 | Washer   |
| 17            | 029952 | Top Insulation Plate   |
| 18            | 029948 | Top Insulation   |
| 19            | 029954 | Top Element Plate  |
| 20            | 029962 | Hex Head Bolt (4 required)                                   |
| 21            | 029963 | Spring Washer (4 required)                                   |
| 22            | 029964 | Washer (4 required)  |
| 23            | 029956 | Fiber Sleeve (2 required)                                    |
| 24            | 029957 | Plastic Sleeve (2 required)                                  |
| 25            | 029958 | Screw (2 required)   |
| 26            | 029959 | Washer (2 required)  |
| 27            | 029960 | Top Element  |
| 28            | 029966 | Top Flat Grill Plate   |
|               | 029965 | Top Ribbed Grill Plate                                       |
| 29            | 036549 | Screw (2 required <i>on units after 11/10/2017</i> )         |
|               | 030054 | Screw  |
| 30            | 036550 | Tension Bolts (2 required <i>on units after 11/10/2017</i> ) |
|               | 030055 | Tension Screw  |

## Catalog/Model

WFG150T

WPG150T

**WARING**  
**COMMERCIAL**

314 Ella T. Grasso Ave.

Torrington, CT 06790

Tele. 1-800-269-6640

Fax 860-496-9017

[www.waringcommercialproducts.com](http://www.waringcommercialproducts.com)

| Illustration# | Part#                                | Description  |
|---------------|--------------------------------------|--|
| 31            | 036548<br>030056                     | 2 Piece Tension Bracket <i>(on units after 11/10/2017)</i><br>Tension Bracket  |
| 32            | 029992                               | Screw (4 required)   |
| 33            | 029993                               | Spring Washer (4 required)   |
| 34            | 029994                               | Large Handle Bracket (2 required)  |
| 35            | 036567<br>029970<br>036568<br>029969 | Bottom Flat Grill Plate <i>(on units after 11/10/2017)</i><br>Bottom Flat Grill Plate<br>Bottom Ribbed Grill Plate <i>(on units after 11/10/2017)</i><br>Bottom Ribbed Grill Plate |
| 36            | 029973                               | Thermostat Bracket   |
| 37            | 029974                               | Washer (2 required)  |
| 38            | 029975                               | Screw (2 required)   |
| 39            | 029956                               | Fiber Sleeve (2 required)  |
| 40            | 029957                               | Plastic Sleeve (2 required)  |
| 41            | 029958                               | Screw (2 required)   |
| 42            | 029959                               | Washer (2 required)  |
| 43            | 029976                               | Bottom Element   |
| 44            | 029978                               | Bottom Element Plate   |
| 45            | 029964                               | Washer (4 required)  |
| 46            | 029963                               | Spring Washer (4 required)   |
| 47            | 029962                               | Hex Head Bolt (4 required)   |
| 48            | 029980                               | Nut  |
| 49            | 029981                               | Bottom Insulation  |
| 50            | 029983                               | Bottom Insulation Plate  |
| 51            | 029951                               | Washer   |
| 52            | 029980                               | Nut  |
| 53            | 029985                               | Screw (2 required)   |
| 54            | 029986                               | Washer (2 required)  |
| 55            | 036565<br>029987                     | Rear Cover with Tension Cover <i>(on units after 11/10/2017)</i><br>Rear Cover with Tension Cover  |
| 56            | 036566<br>029988                     | Rear Cover Plate with Tension Hole <i>(on units after 11/10/2017)</i><br>Rear Cover Plate with Tension Hole  |
| 57            | 029989                               | Large Handle   |
| 58            | 029990                               | Hex Head Screw (2 required)  |

# Catalog/Model

WFG150T

WPG150T

# WARING COMMERCIAL

314 Ella T. Grasso Ave.

Torrington, CT 06790

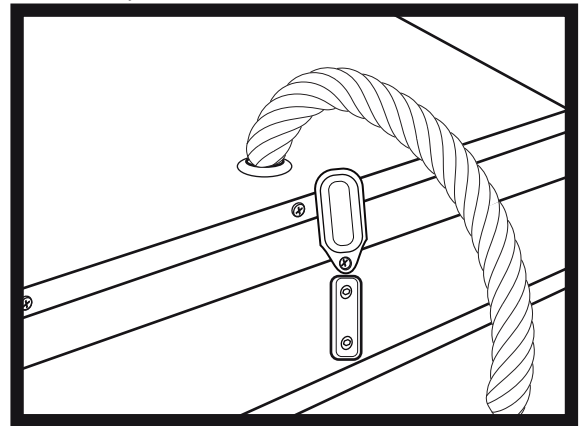
Tele. 1-800-269-6640

Fax 860-496-9017

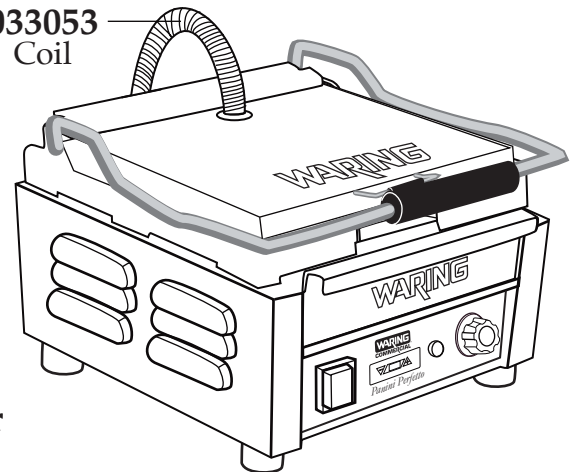
www.waringcommercialproducts.com

| Illustration# | Part#  | Description                        |
|---------------|--------|------------------------------------|
| 59            | 029991 | Handle Nut (2 required)            |
| 60            | 029996 | Thermal Cut-off                    |
| 61            | 029997 | Washer (2 required)                |
| 62            | 029998 | Nut (2 required)                   |
| 63            | 029999 | Washer (4 required)                |
| 64            | 030000 | Spring Washer (4 required)         |
| 65            | 030001 | Bolt (4 required)                  |
| 66            | 013731 | Wire Tie (7 required)              |
| 67            | 030003 | 17" Red Lead                       |
| 68            | 030004 | Red Lead and White Lead Joined     |
| 69            | 030005 | Bottom Housing Plate               |
| 70            | 030006 | Screw (4 required)                 |
| 71            | 034202 | Timer ONLY (2AAA batteries needed) |

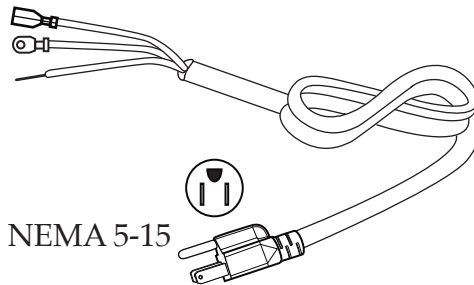
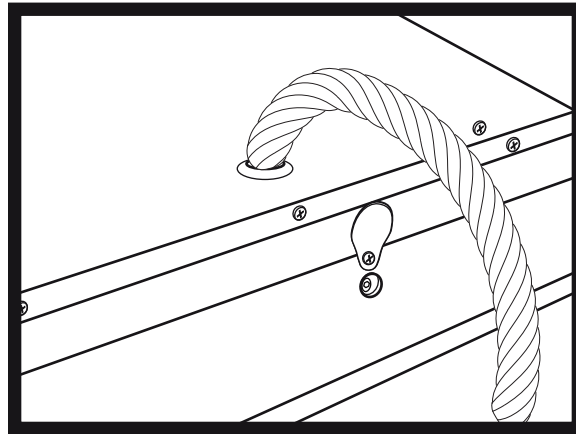
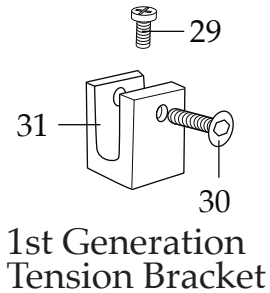
(on units after 11/10/2017)



033053  
Coil



Revised October 27, 2022 Page 5 of 5



033681 - Cord 120 volt NEMA 5-15

**\* Certified replacement of the cord set can only be performed by an Authorized Service Center or the Waring Factory Service Center.**