

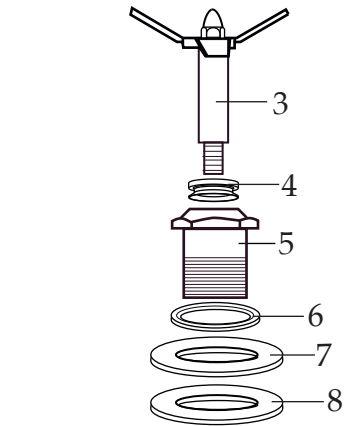
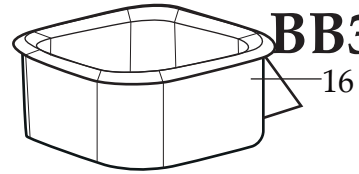
WARING COMMERCIAL

Medium Duty Bar Blender
with Electronic Keypad &
48 oz. Stainless Steel Container

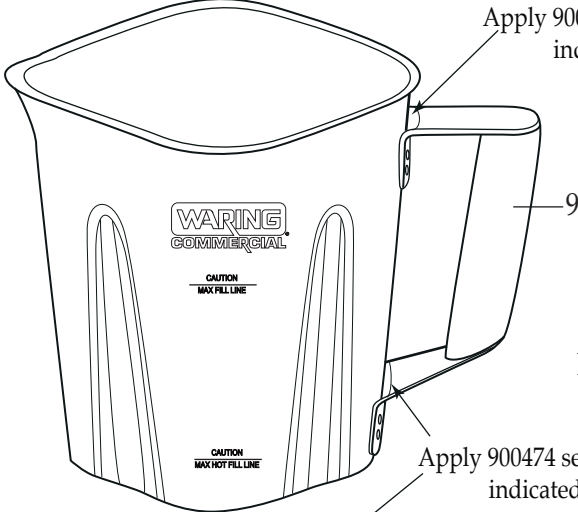
BB320S

Unit Information

Limited 2 Year Warranty
1 HP - 60Hz - 6.8 Amps
2 Speed Motor with Pulse
Function

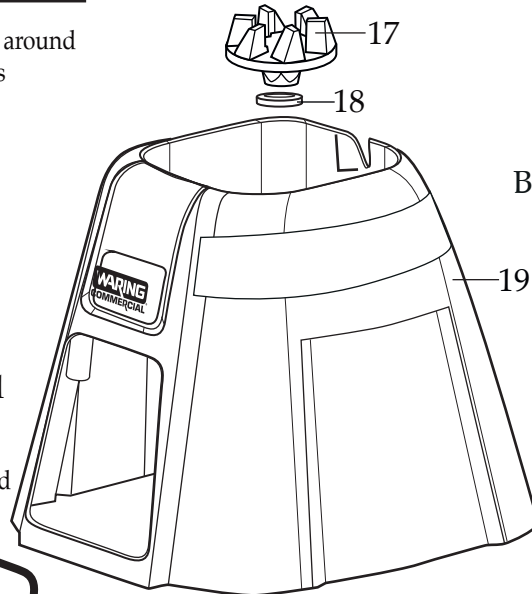


Apply 900474 sealant around
indicated areas

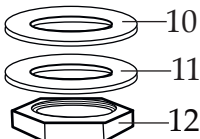
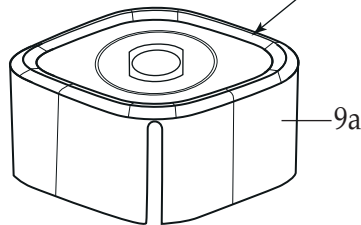


013304
NSF Seal

Apply 900474 sealant around
indicated areas

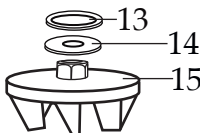


038158
Brush & Spring
(2 required)



NOTE:

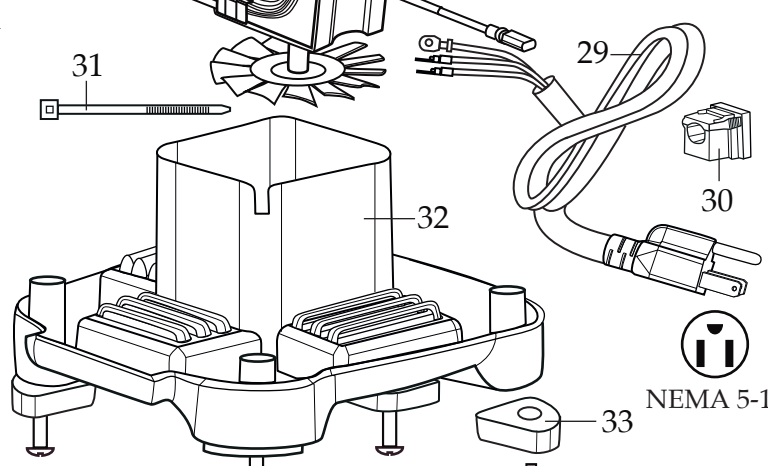
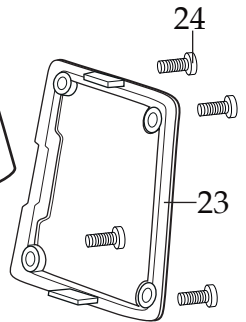
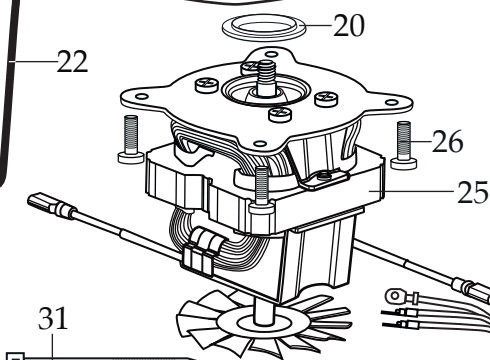
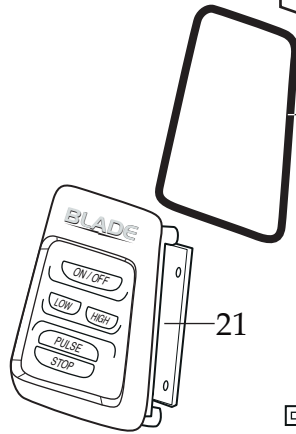
Torgue to 80- 85 in./lbs.
Torgue to 75- 80 in./lbs. (503464)



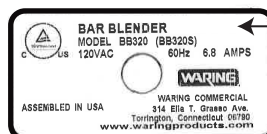
503521 (on units after 12/14/2017)
Stainless Steel Container
with Blending Assembly

035592
Blending Assembly Kit

503464
Stainless Steel Container
with Blending Assembly



NEMA 5-15



Date Code Location
YY|MM|DD
year|year|month|month|day|day

Illustration#	Part#	Description
1	035153 026282-E	Jar Cover Lid <i>(on units after 3/10/2016)</i> Eastman Cover Lid
2	036319-V 033625-V	Vinyl Jar Cover with Ribs <i>(on units after 11/15/2017)</i> Vinyl Jar Cover
3	503444	Blade Assembly
4	027716	V Seal
5	503458	Bearing Holder / Seal Assembly
6	009724	Nylon Flat Washer
7	003537	Stainless Steel Washer
8	003509	Neoprene Washer (rubber)
9	034775	Stainless Steel Container
9a	034776	Jar Bottom
10	003509	Neoprene Washer (rubber)
11	003537	Stainless Steel Washer
12	034156	Bearing Holder Nut
13	003526	Phenolic Washer
14	035048	Flat Stainless Steel Washer
15	503520 032453	Coupling <i>(on units after 12/14/2017)</i> Coupling
16	033623	Jar Pad
17	503520 032453	Coupling <i>(on units after 12/14/2017)</i> Coupling
18	035756 026413	Stainless Steel Cap Washer <i>(on units after 12/6/2016)</i> Stainless Steel Cap Washer
19	033616	Top Housing
20	026269	Upper Motor Mount
21	033546	Control Panel
22	033737	O Ring
23		<i>Comes with the 033546 Control Panel</i>
24	026267	Screw (4 required)
25	033618	120 volt Chiaphua Motor

Illustration#	Part#	Description
26	032611	Screw (4 required)
27	027278	Ground Screw
28	002943	Washer (2 required <i>on units after on units after 12/14/2017</i>) (1 required)
29	503431	Cordset Assembly
30	033619	Strain Relief
31	013731	Wire Tie (2 required)
32	035282	Bottom Housing
33	035287 033620	Foot (4 required <i>on units after 10/1/2016</i>) Foot (4 required)
34	035260	Screw (4 required)

