

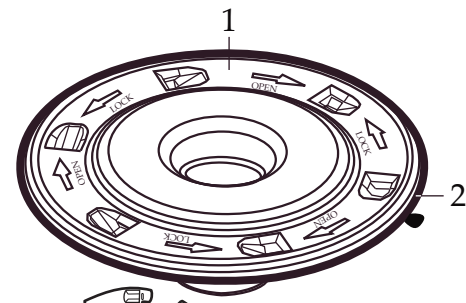
WARING COMMERCIAL®

One Gallon Blender
and Spigot Container

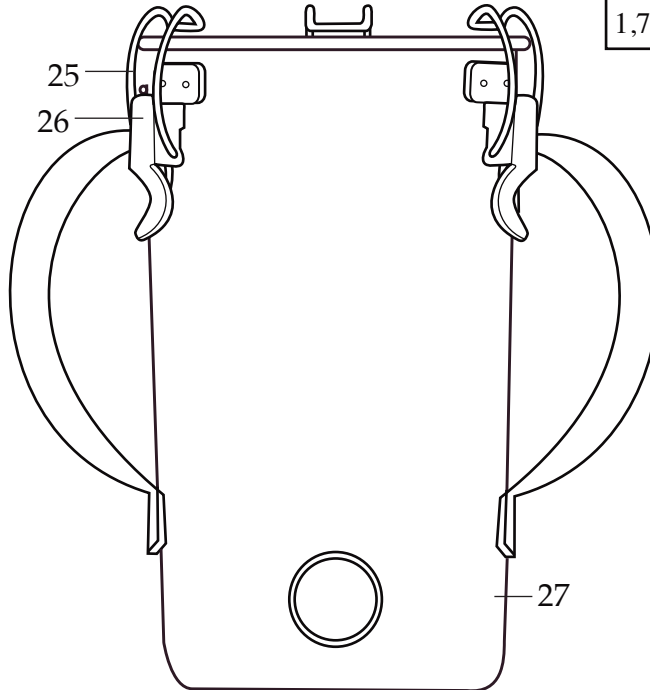
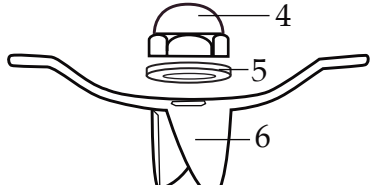
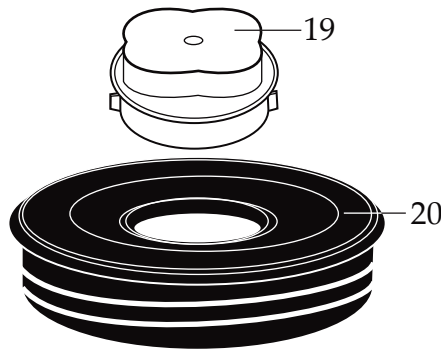
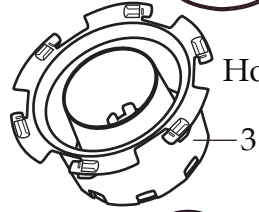
CB15SF

Unit Information

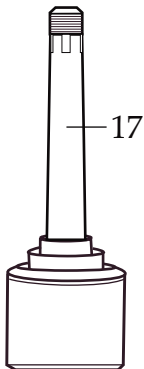
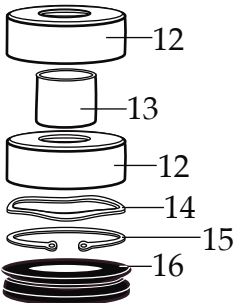
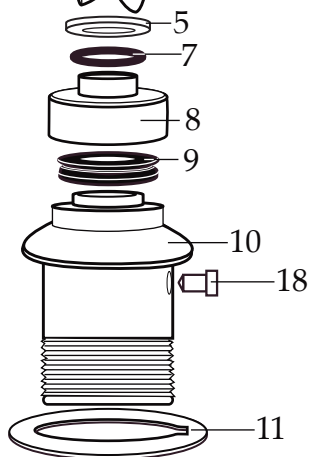
3 Limited Motor Warranty
15.0 Amps.
1,700-18,000 RPM's (no load)



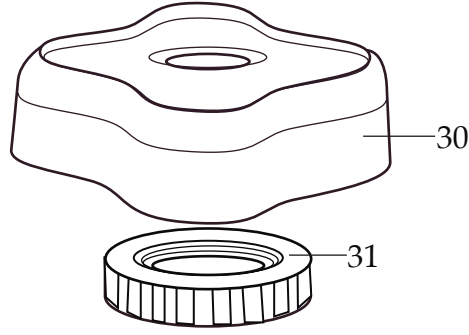
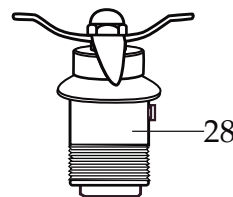
CBL10
Hot Blending Lid
(optional)



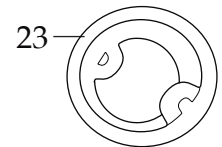
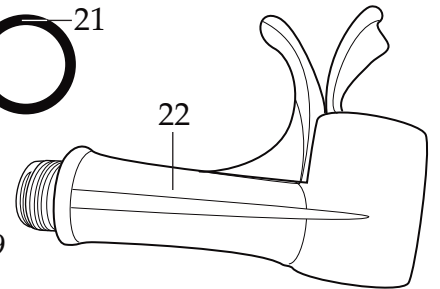
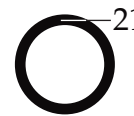
013304
NSF Seal



502977
Blending Assembly

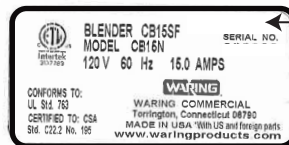
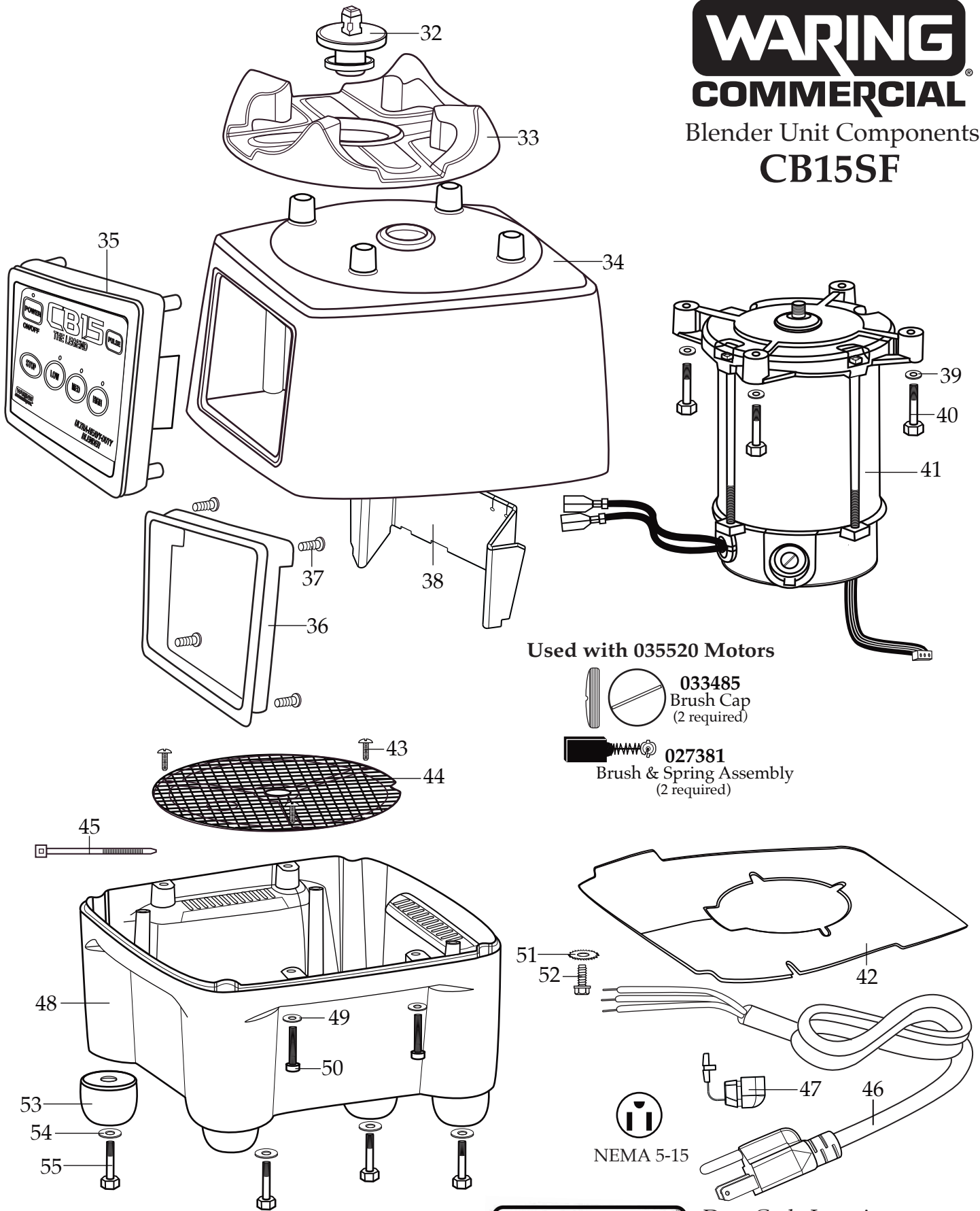


503433
Container with Blending Assembly and Spigot



WARING COMMERCIAL

Blender Unit Components CB15SF



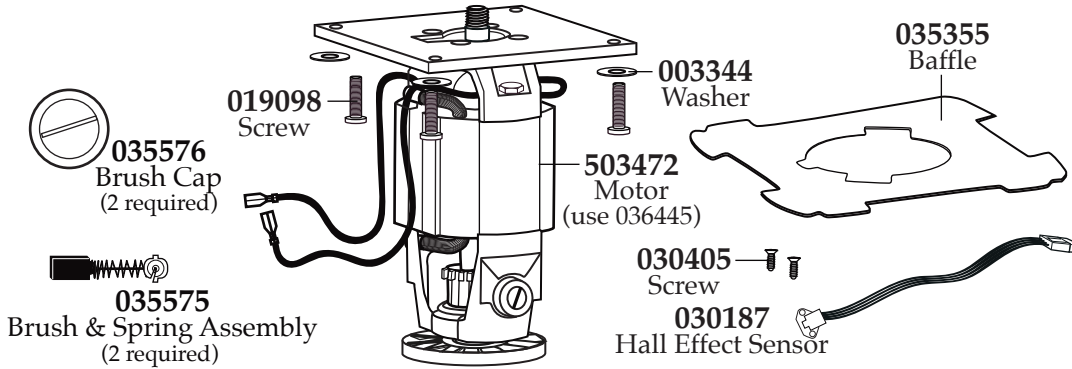
Date Code Location
YY|MM|DD
year|month|day

Illustration#	Part#	Description
1	024000	Hot Blending Outer Lid
2	026496	Gasket
3	023998	Hot Blending Baffle Cup
4	002972	Cap Nut
5	027581	Flat Washer (2 required)
6	027683	Blade
7	018389	"O" Ring
8	027582	Bearing Cap
9	018390	Small "V" Ring
10	023934	Bearing Holder
11	004946	Washer
12	018386	Bearing (2 required)
13	023926	Spacer
14	023907	Spring Washer
15	023927	Retaining Ring
16	023906	Large "V" Ring
17	023933	Drive Shaft
18	025817	Key
19	028530	Cover Insert
20	028226	Outer Lid
21	034026	"O" Ring
22	033965	Spigot Assembly
23	034320	Spigot Rubber Insert
24	034016	Spigot Plug
25	008791	Latch Wire (3 required)
26	502773	Bracket Assembly (spot welded to container 3 required)
27	503434	Container-Adapter Assembly
28	502977	Blending Assembly (complete)
29	004949	Gasket for container base
30	025571	Container Support (container base)
31	012008	Lock Nut

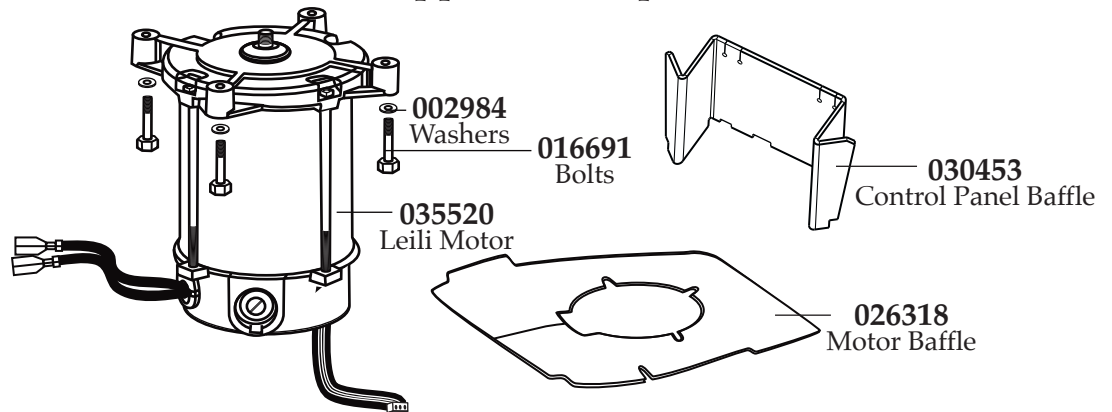
Illustration#	Part#	Description
32	503328	Coupling with Magnet Ring
33	025871	Jar Pad
34	028025	Top Housing
35	030893	Control Panel
36	029888	Rear Control Panel
37	026497	Screw (4 required)
38	030453	Control Panel Baffle (on units after 9/29/2016)
39	002984	Washer (4 required on units after 9/22/2016)
	003344	Washer (on units after 12/3/2015)
	002984	Washer (4 required)
40	016691	Bolt (4 required on units after 9/22/2016)
	019098	Screw (4 required on units after 12/3/2015)
	016691	Bolt (4 required)
41	035520	Leili Motor (on units after 7/13/2017)
	029875	Motor (on units after 9/22/2016)
	503472	Motor Modified Groschopp (on units after 12/3/2015 use 036445)
	029875	Motor
42	026318	Baffle (on units after 9/22/2016)
	035355	Baffle (on units after 12/3/2015)
	026318	Baffle
43	026500	Screw (6 required)
44	018791	Screen
45	013731	Cable Tie
46	503329	Cord Set
47	018811	Strain Relief
48	026317	Bottom Housing
49	002984	Washer (4 required)
50	026412	Screw (4 required)
51	002943	Ground Washer
52	027278	Ground Screw
53	026296	Foot (4 required)
54	018314	Washer (4 required)
55	026493	Screw (4 required)

**Groschopp Motor
Parts No Longer Used**

(on units between 4/14/2016 & 9/29/2016)



**036445
CB15 Groschopp Motor Replacement Kit**



Used with 029875 Motors



Wiring Diagram

