

# WARING COMMERCIAL®

Double Waffle Cone Maker

## WWCM200

### Unit Information

120 Volts - 60 Hz - 1400 Watts

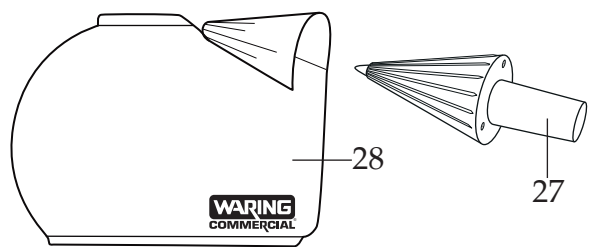
Unit has independent ready lights

Triple coated nonstick plates

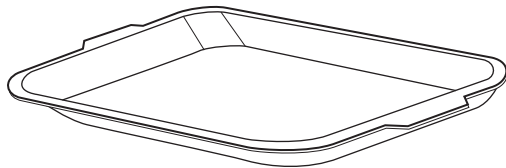
Let unit cool completely before cleaning



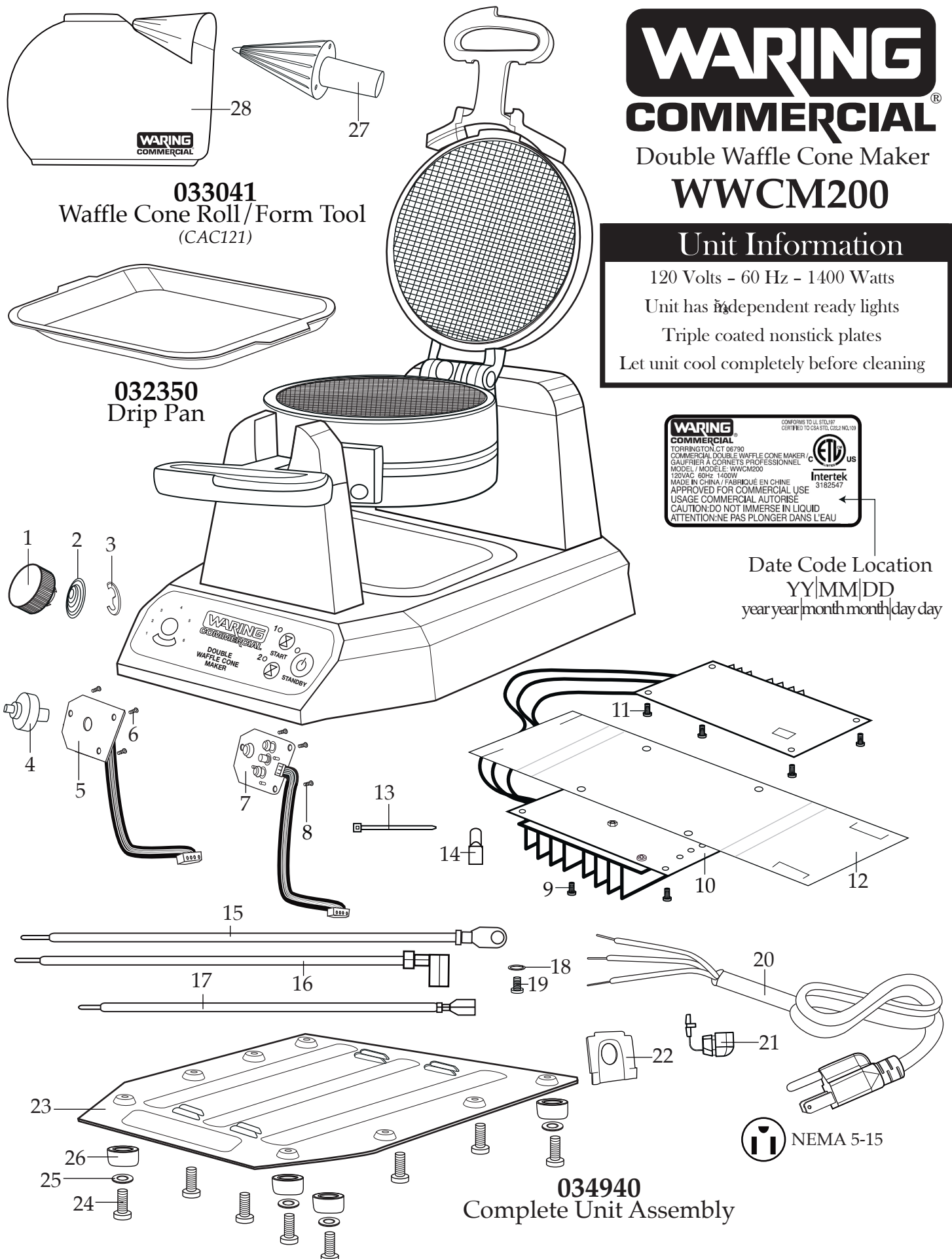
Date Code Location  
YY|MM|DD  
year year | month month | day day



**033041**  
Waffle Cone Roll/Form Tool  
(CAC121)



**032350**  
Drip Pan



**034940**  
Complete Unit Assembly



<b>Illustration#</b>	<b>Part#</b>	<b>Description</b>
1	032352	Browning Control Knob
2	034938	Spring Coil
3	032362	E Ring
4	034161	Pole Connector (long stem)
5	032358	Darkness Control Panel w/ Long Lead Tape (thermostat)
6	034939	Screw (3 required)
7	034936	Control Board (2 green lights w/long lead)
8	032359	Screw (3 required)
9	032359	Screw (4 required)
10	034935	PCB Board and Power Board Assembly
11	032359	Screw (3 required)
12	030638	Power Board Shield
13	013731	Wire Tie (6 required)
14	019123 012409	Large Crimp Connector Small Crimp Connector (3 required)
15	034933	9.75" Green Lead Assembly
16	034932	7.5" Red Lead Assembly
17	034934	6.25" Blue Lead Assembly
18	032360	Spring Washer (2 required)
19	035298	Ground Screw (2 required)
20	032363	Cord Set
21	032361	Strain Relief
22	032371	Cord Plate
23	032351	Bottom Plate
24	032355	Screw (8 required)
25	032354	Foot Washer (4 required)
26	032353	Foot (4 required)
27	034941	Rolling Tool
28	034942	Forming Tool